

**SALICE**



# *Wind*

*flap door lift hinge*

ENG



# *Wind*

## *Compact, essential design*

A discreet yet high-performance solution:

- Hinge designed for upward-opening flap doors, with a clean, linear aesthetic.
- Integrated decelerator with adjustable stroke that guides the door smoothly and quietly while closing.
- Cover caps available in multiple finishes for perfect integration with any furniture style.

## *Fast, precise installation*

Engineered to make professionals' work easier:

- Flexible fixing to the cabinet side or top panel, adaptable to different configurations.
- Door mounting via automatic snap-in slide for quick, secure installation.
- Calibrated three-way adjustment and tunable spring to handle doors of different weights with a single system.

## *Versatility for every need*

- Opening angle adjustable from 94° down to 85°, ideal even for tight spaces.
- Available with Smove soft-close or with Push for handle-less doors.
- Suitable for wooden or aluminium-frame doors.



# *Wind*

LIFTS UP. STANDS OUT.

*Compact elegance, purpose-built technology*

Wind redefines the concept of a lift-up hinge: compact, elegant and discreet, it is designed to deliver high performance, smooth, fluid and quiet movement. Its essential design and reduced dimensions ensure minimal intrusion inside the cabinet and a refined visual impact.



# *Wind*

## *Versatility*

Thanks to its outstanding versatility, Wind adapts naturally to many environments: from kitchens to living areas, from office furniture to bathrooms and kids' rooms.

With a dedicated support, Wind is perfect for wide doors or corner cabinets without compromising stability and functionality.

Available both with soft-close deceleration and in a Push version for handle-less openings, Wind comes in elegant finishes that harmonize with any interior style.

Wind is compatible with wooden and aluminium-profile doors.

**Wind**  
Hinge for wooden doors

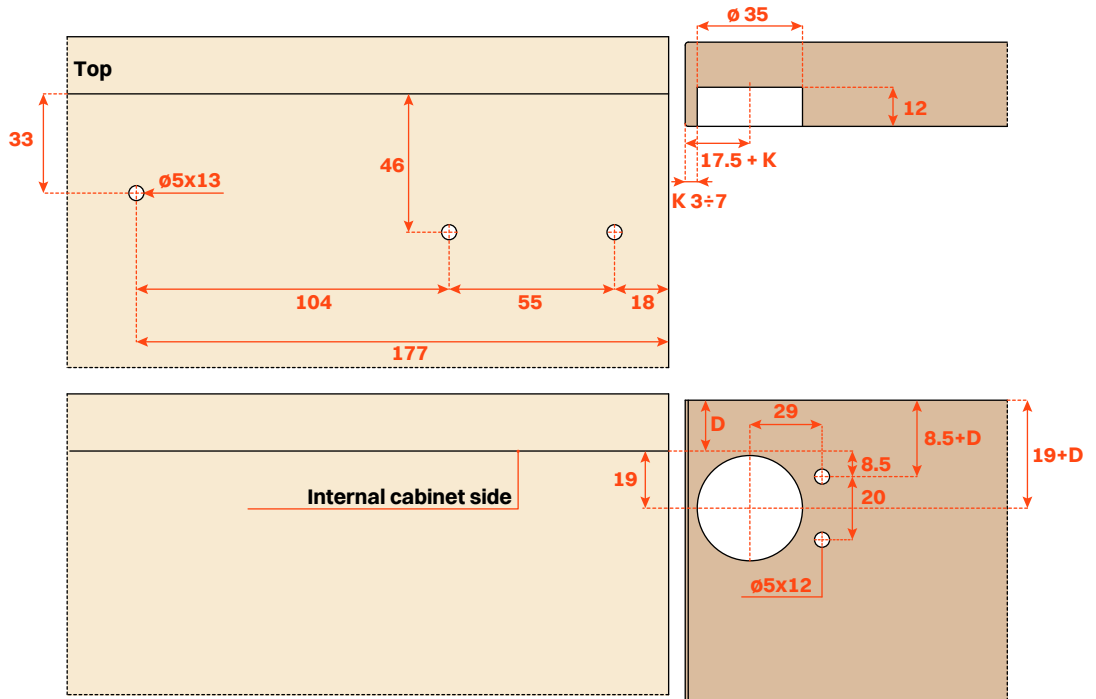


**Technical information**

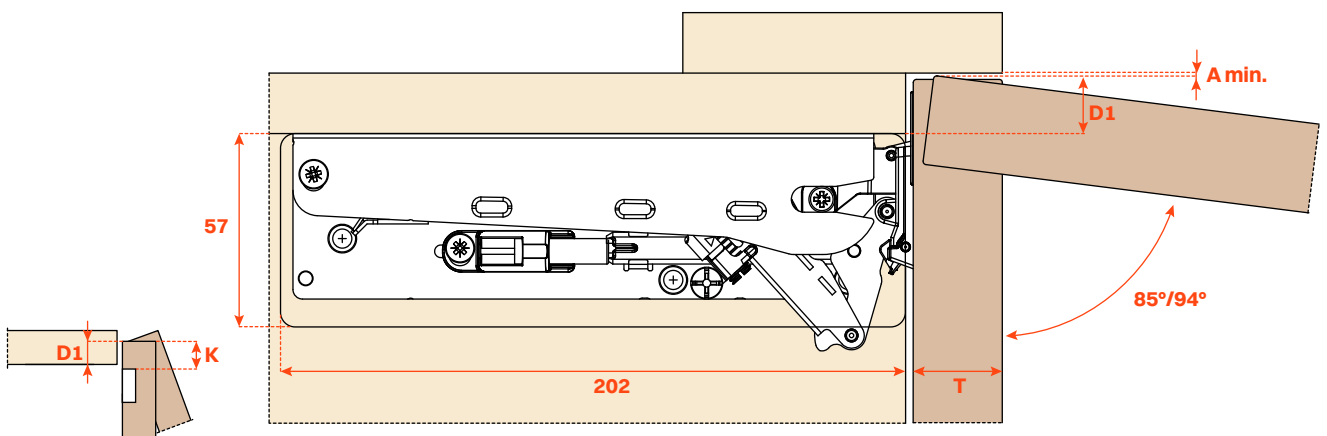
**Flap door lift hinge, fixed to the cabinet side.**

Drilling of the door  $\varnothing 35$ .  
12 mm deep cup.  
85° opening with stop device (premounted).  
94° opening without stop device.  
Possible drilling distance on the door (K): from 3 to 7 mm.  
Also available in Push to open version for handle-less doors.

**Drilling patterns.**



**Space needed to open the door.**



K		D1
3	=	16
4	=	17
5	=	18
6	=	19
7	=	20

	T=	16	17	18	19	20	21	22	23	24	25	26	27	28
K=3	<b>A = min</b>	0	0.1	0.1	0.2	0.2	0.3	0.5	0.6	0.7	0.9	1.1	1.8	2.7
K=4	<b>A = min</b>	0	0.1	0.1	0.2	0.2	0.3	0.4	0.6	0.7	0.9	1.1	1.3	2.1
K=5	<b>A = min</b>	0	0.1	0.1	0.2	0.2	0.3	0.4	0.6	0.7	0.9	1.1	1.3	1.5
K=6	<b>A = min</b>	0	0.1	0.1	0.2	0.2	0.3	0.4	0.6	0.7	0.9	1.0	1.2	1.5
K=7	<b>A = min</b>	0	0.1	0.1	0.2	0.2	0.3	0.4	0.6	0.7	0.8	1.0	1.2	1.4

Hinge for aluminium framed doors

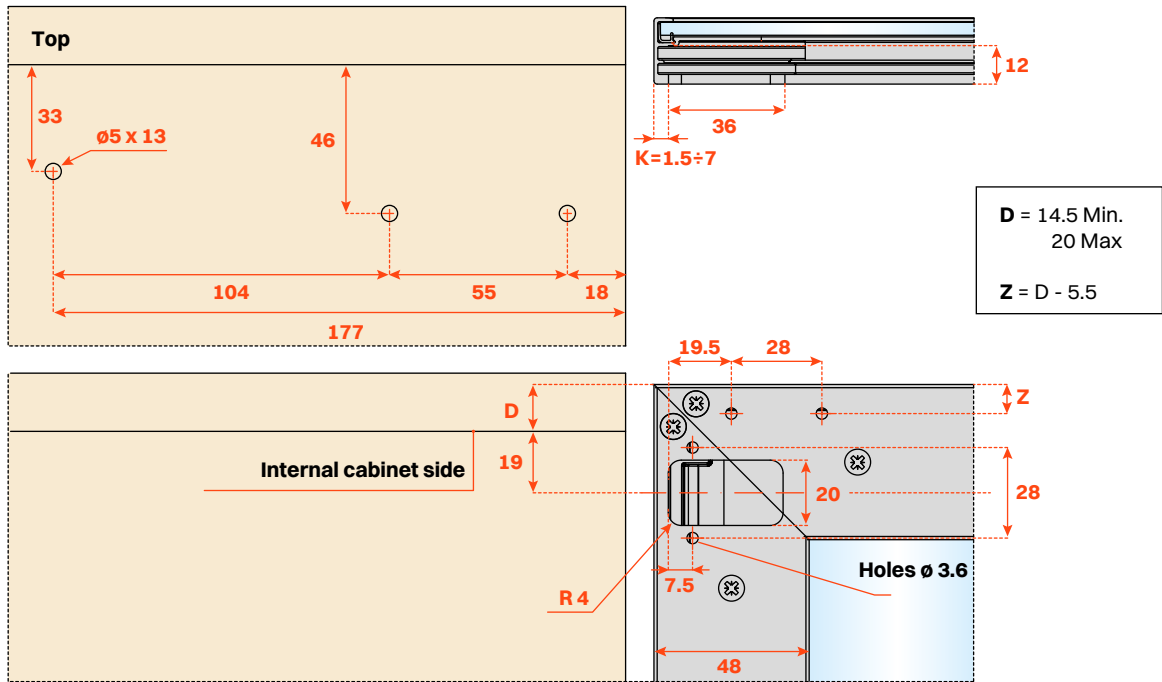


**Technical information**

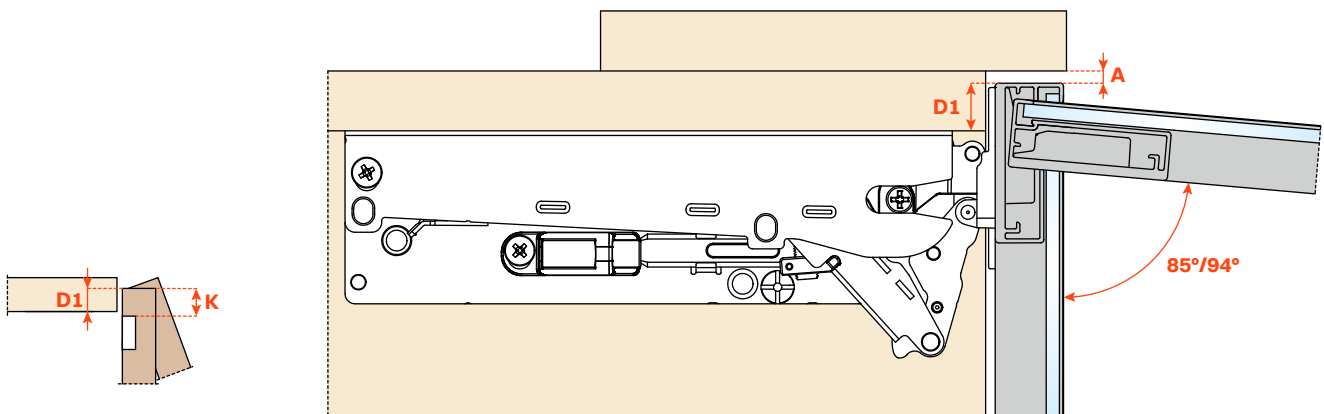
**Flap door lift hinge, fixed to the cabinet side.**

12 mm deep cup.  
 85° opening with stop device (premounted).  
 94° opening without stop device.  
 Possible drilling distance on the door (K): from 1.5 to 7 mm.  
 Also available in Push to open version for handle-less doors

Drilling patterns.



Space needed to open the door.

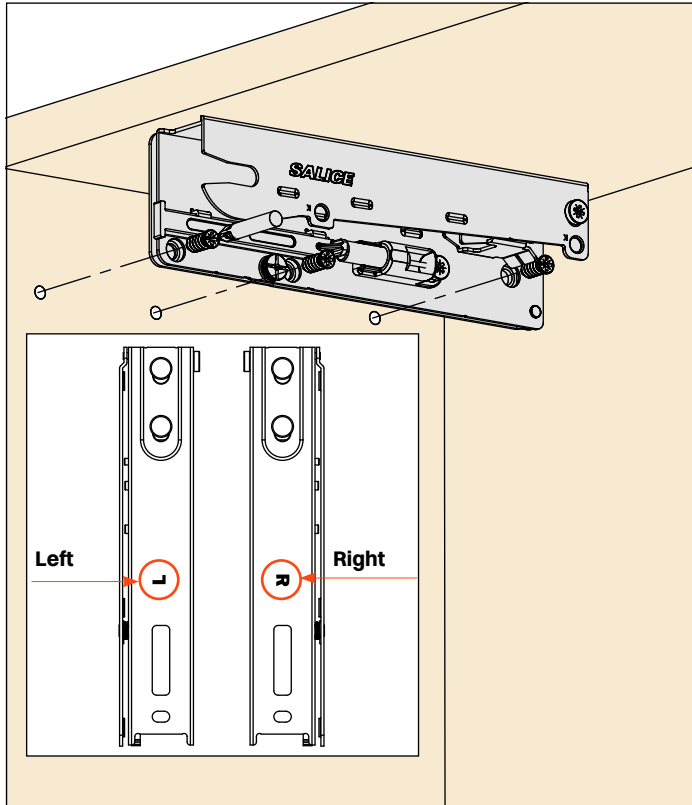


K	D1
1.5	= 14.5
3	= 16
4	= 17
5	= 18
6	= 19
7	= 20

# Wind

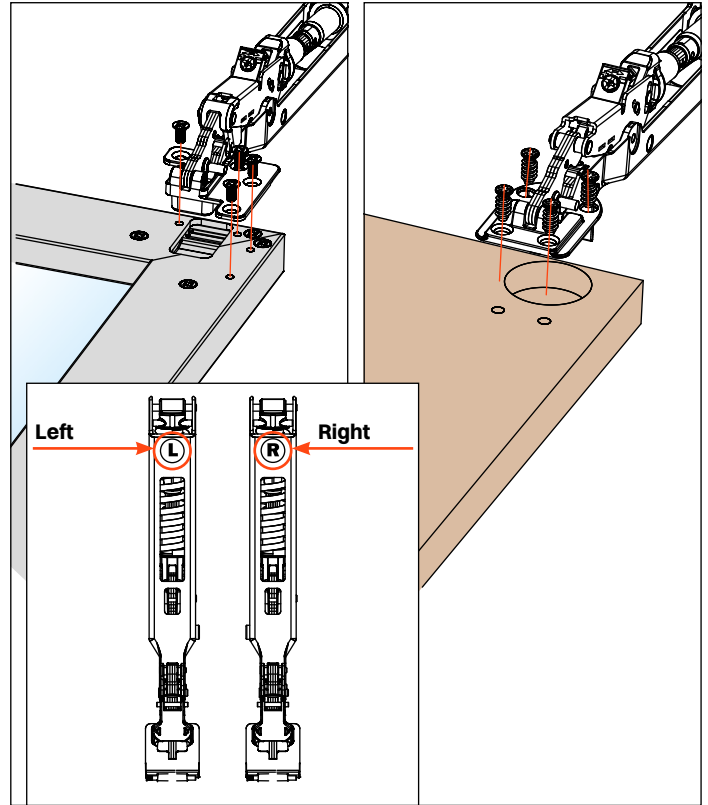
Assembly instructions

Fixing the plates to the cabinet sides.



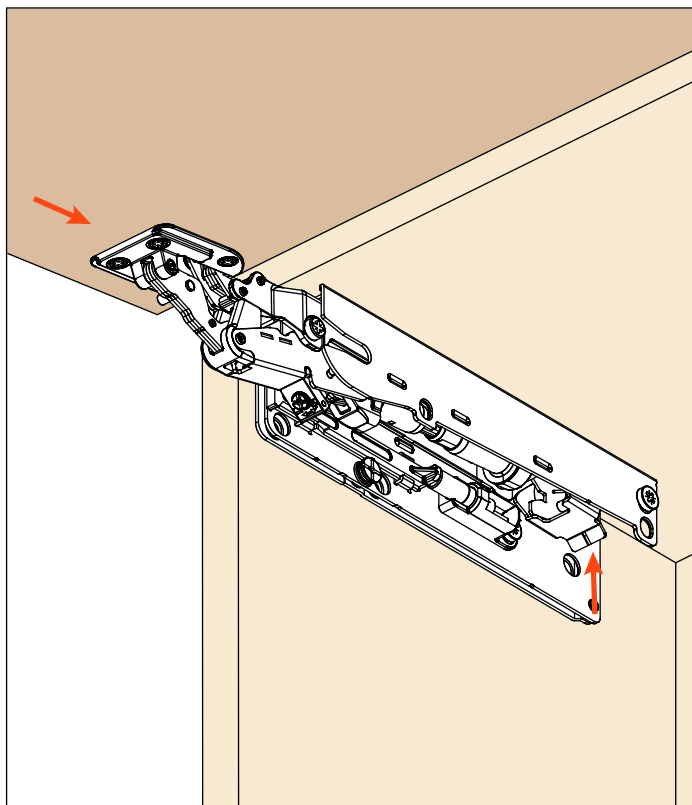
Screw the hinge to the door.

Insert the hinge into the appropriate coupling seats with slight pressure.



Inserting the hinge into the plates.

Insert the hinge into the plate until the back fixing is engaged.  
This operation is tool free.

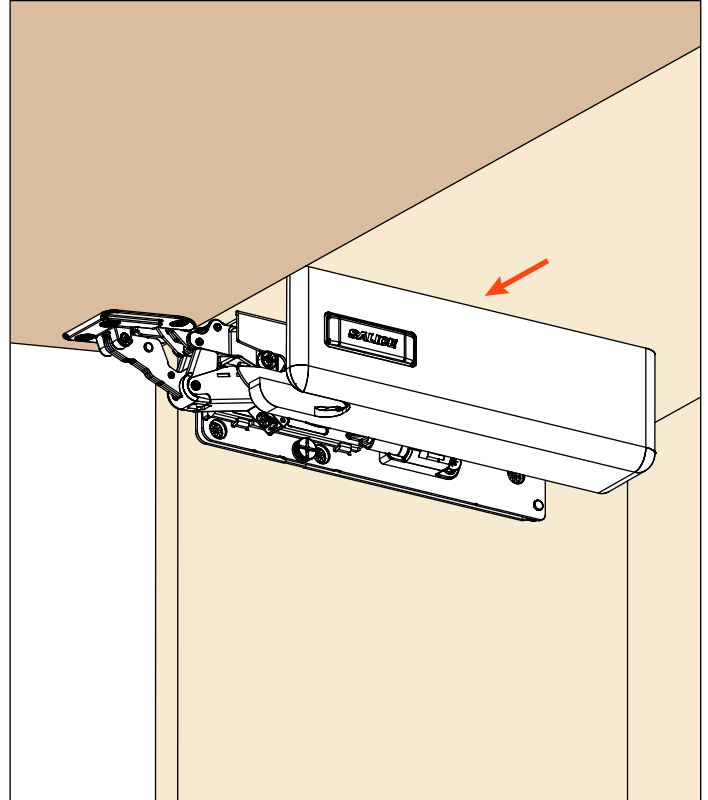




**WARNING ! Security cable ties.**

Remove the cable ties only at the end of the assembly.  
Use the instructions and the QR Code attached to the hinges.

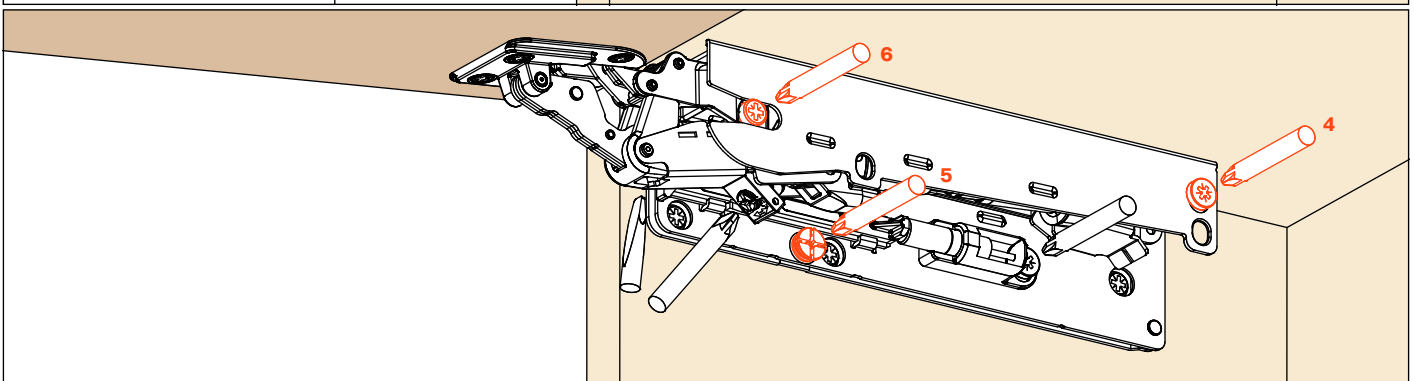
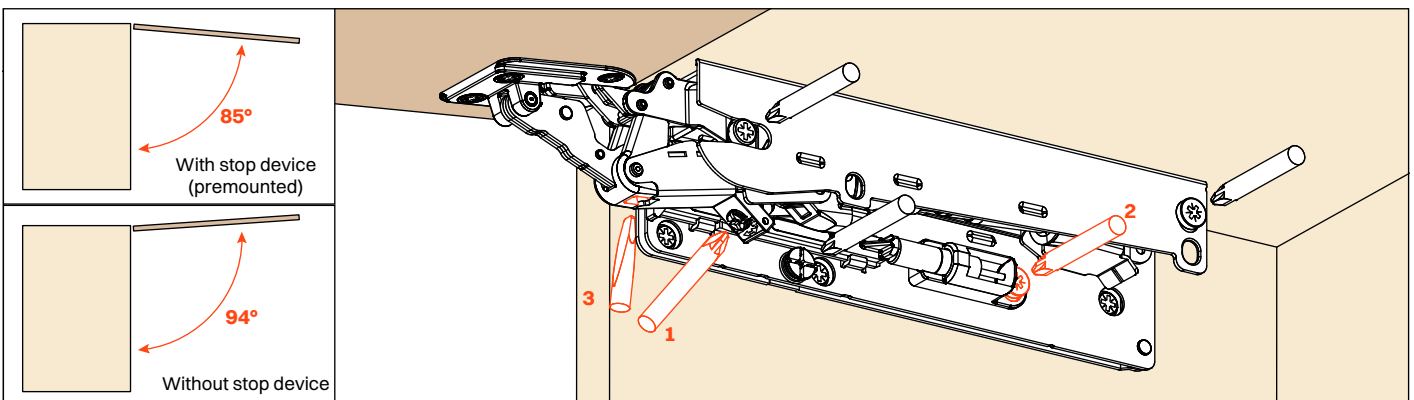
Installing the covers.



**Adjustments.**

- 1 - adjustment of the spring strength.
- 2 - adjustment of the decelerating effect.
- 3 - extension/adjustment of the opening angle of the door.

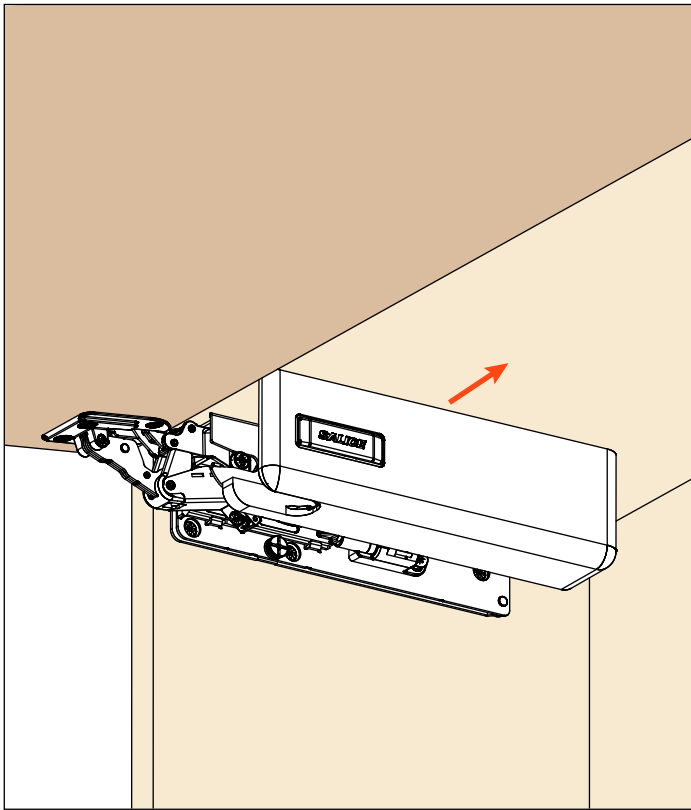
- 4 - height adjustment of the door from - 2 to +2.
- 5 - sideways adjustment of the door from - 2 to +2.
- 6 - depth adjustment of the door from -1.5 to +2.5.



# Wind

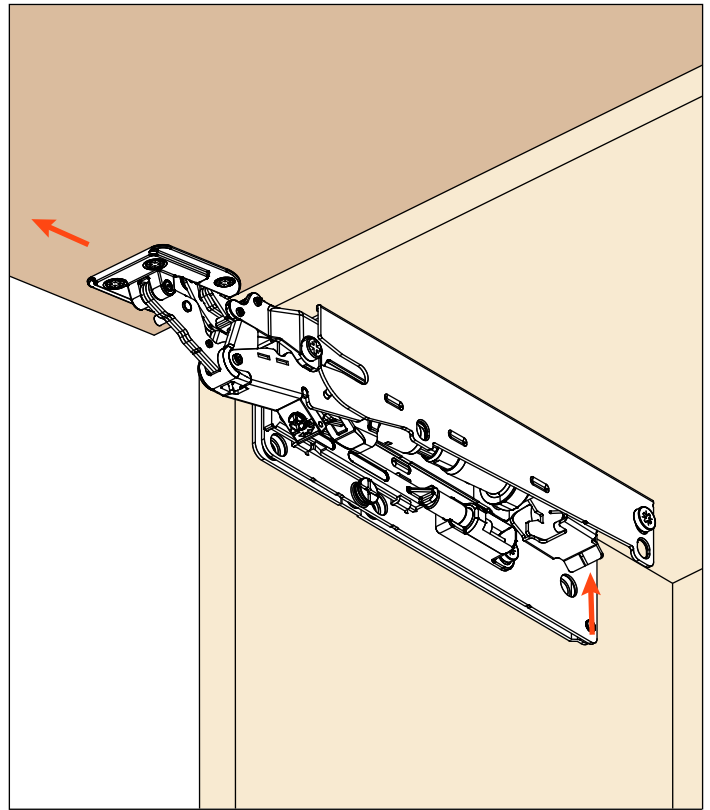
Disassembly instructions

Removal of the covers.



Disassembly of the hinge.

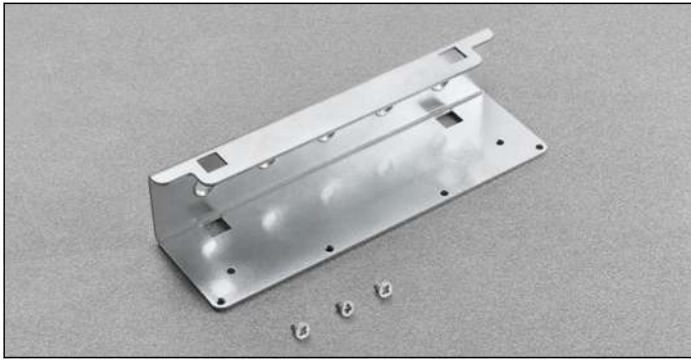
Press the back lever and pull out the hinge.  
This operation is tool free.





*Wind  
Carriers for central hinge*

**Wind**  
Carrier for wooden doors only



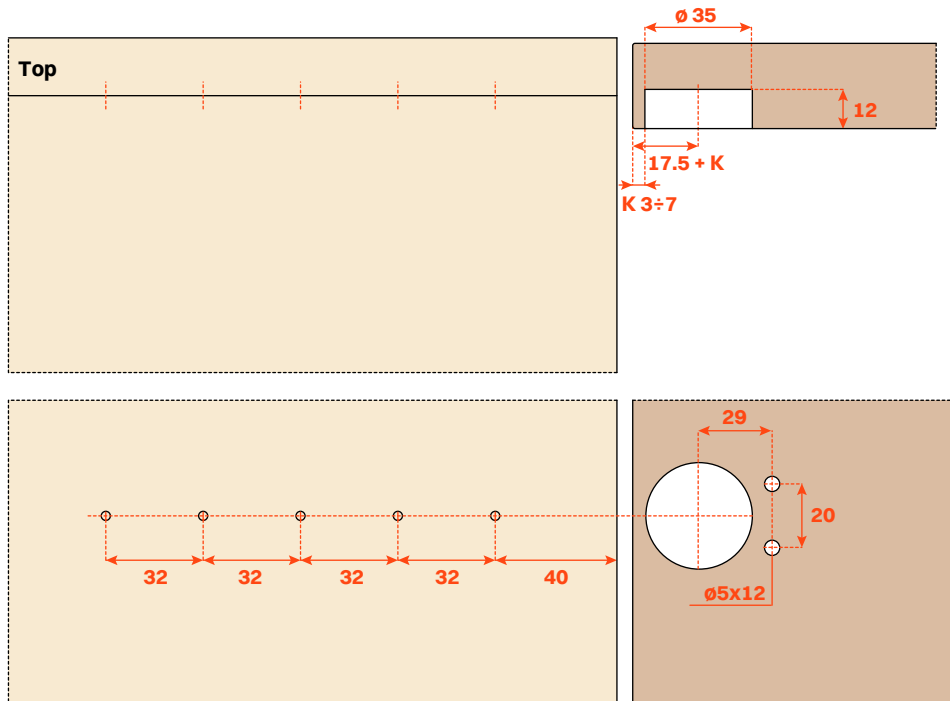
**Technical information**

Carrier to be screw-fixed to the top of the cabinet for use with:

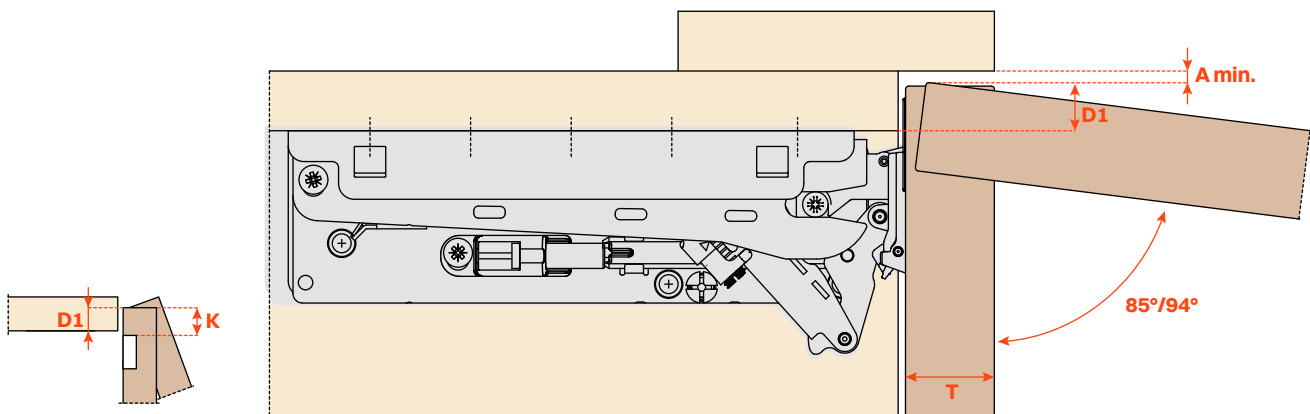
- corner cabinets
- doors of large weight and dimensions wooden doors of large weight and dimensions

We suggest to fix the carrier with wood screws 4x18.

Drilling patterns.



Space needed to open the door.



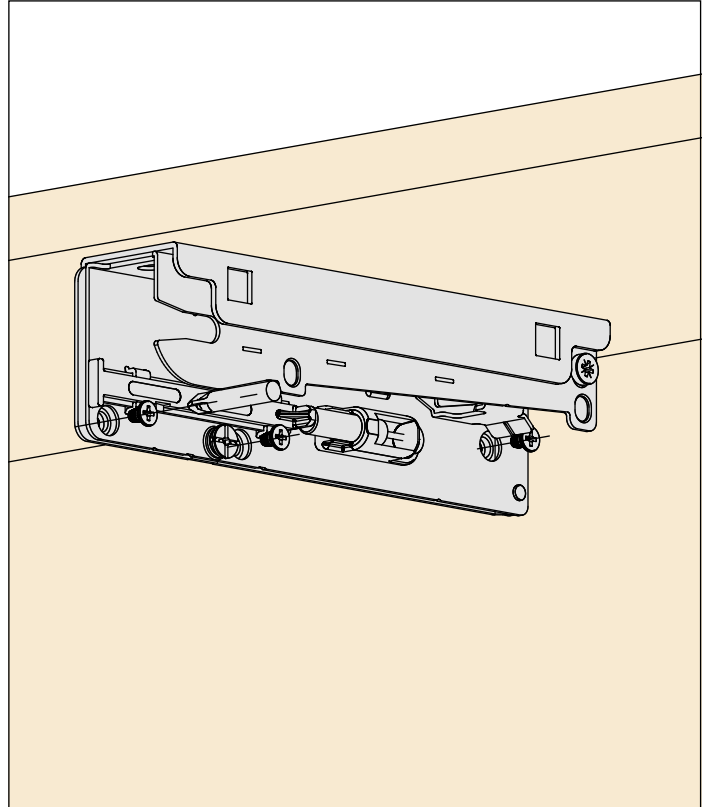
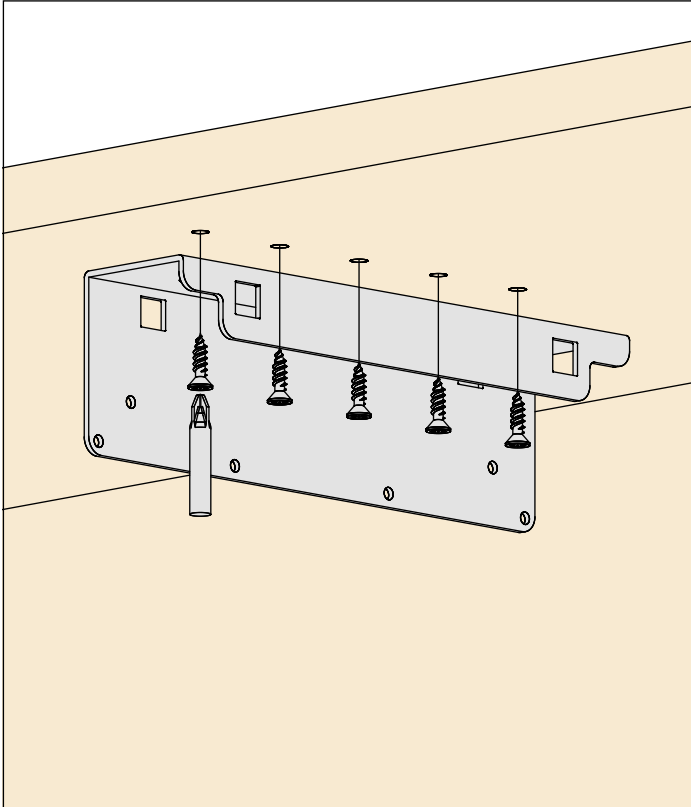
K	D1
3	= 13
4	= 14
5	= 15
6	= 16
7	= 17

	T=	16	17	18	19	20	21	22	23	24	25	26	27	28
K=3	A = min	0	0.1	0.1	0.2	0.2	0.3	0.5	0.6	0.7	0.9	1.1	1.8	2.7
K=4	A = min	0	0.1	0.1	0.2	0.2	0.3	0.4	0.6	0.7	0.9	1.1	1.3	2.1
K=5	A = min	0	0.1	0.1	0.2	0.2	0.3	0.4	0.6	0.7	0.9	1.1	1.3	1.5
K=6	A = min	0	0.1	0.1	0.2	0.2	0.3	0.4	0.6	0.7	0.9	1.0	1.2	1.5
K=7	A = min	0	0.1	0.1	0.2	0.2	0.3	0.4	0.6	0.7	0.8	1.0	1.2	1.4

Assembly instructions for the carriers

Fixing the carriers to the top of the cabinet.

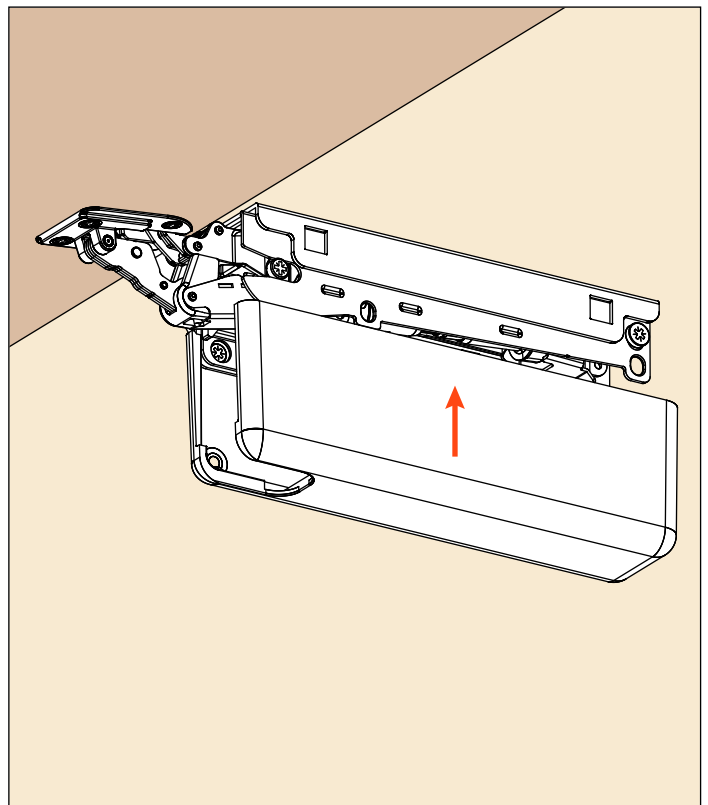
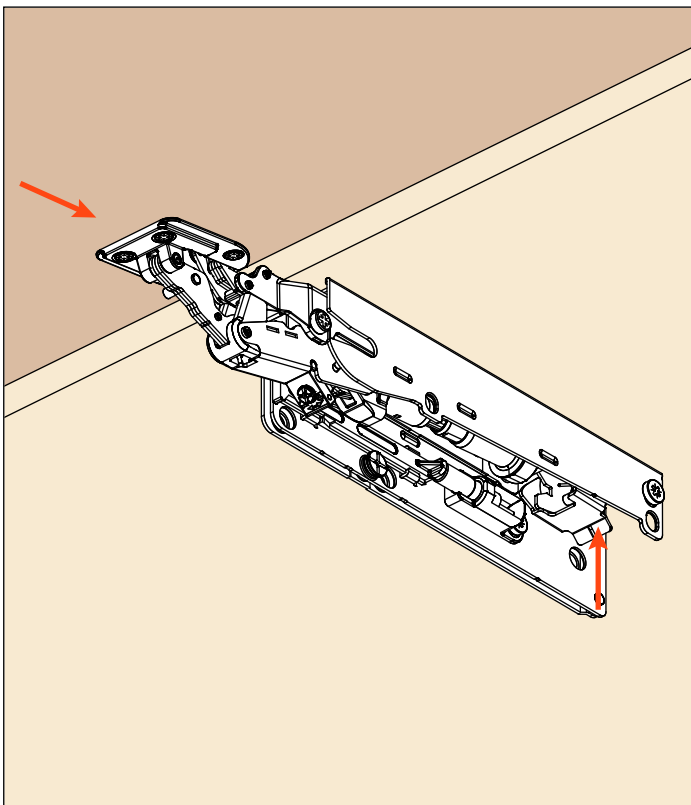
Fixing the plates to the carriers.



Inserting the hinge into the plates.

Insert the hinge until the back fixing is engaged.  
This operation is tool free.

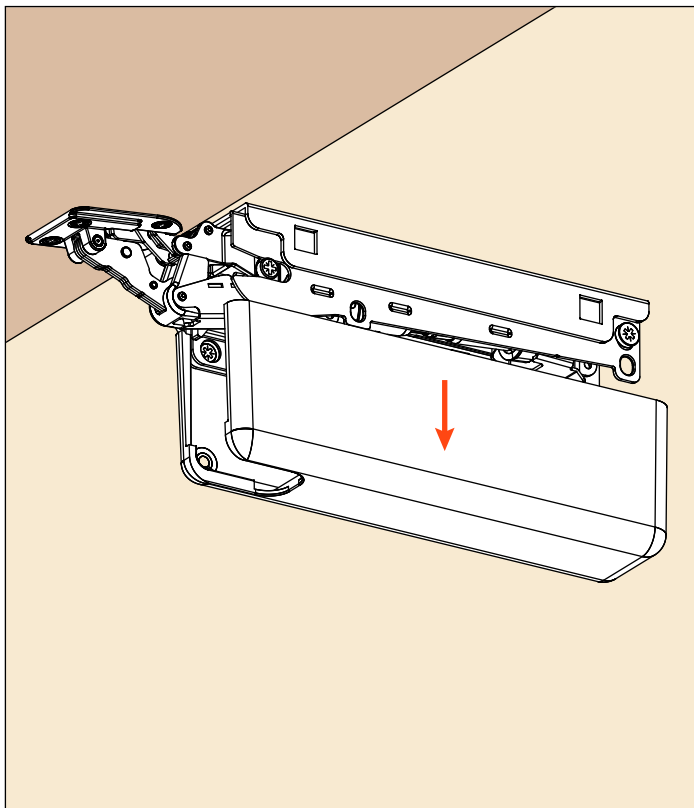
Installing the covers.



# Wind

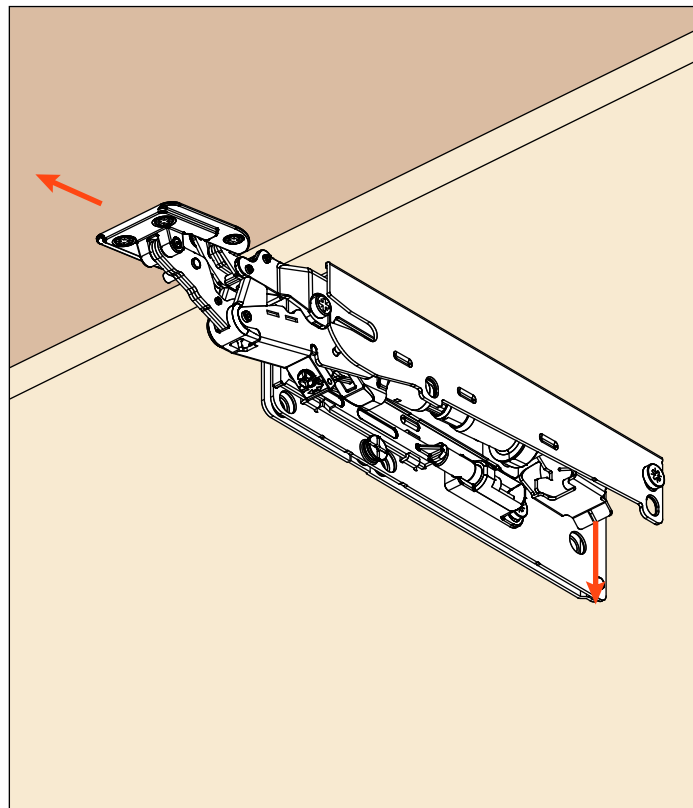
## Disassembly instructions for the carriers

Removal of the covers.

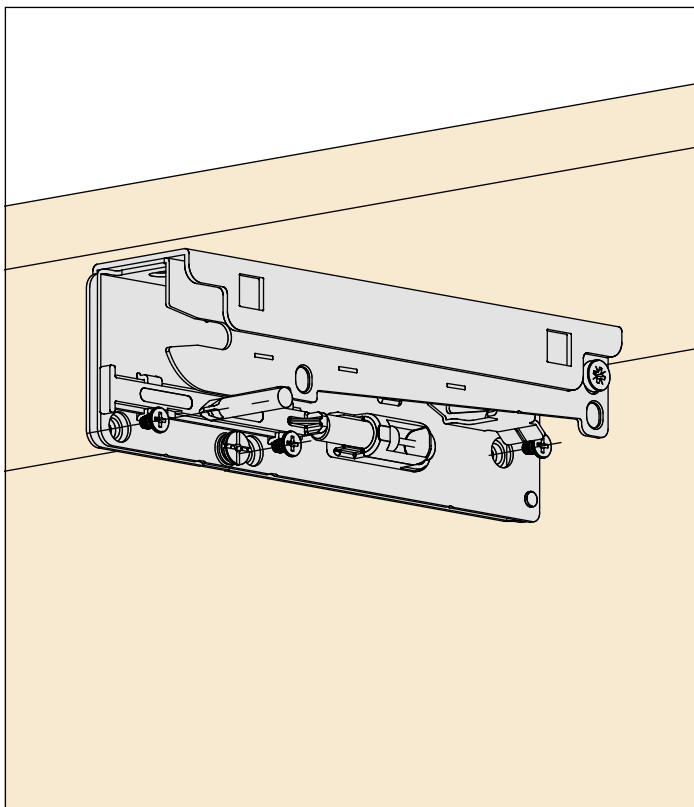


Disassembly of the hinge.

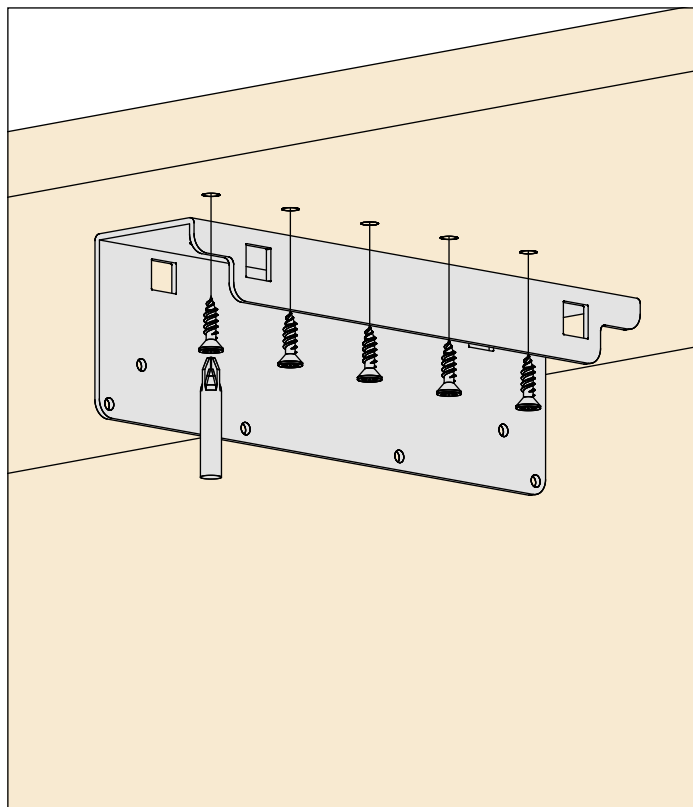
Press the back lever and pull out the hinge.  
This operation is tool free.



Unfasten the plates from the carriers.

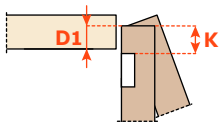
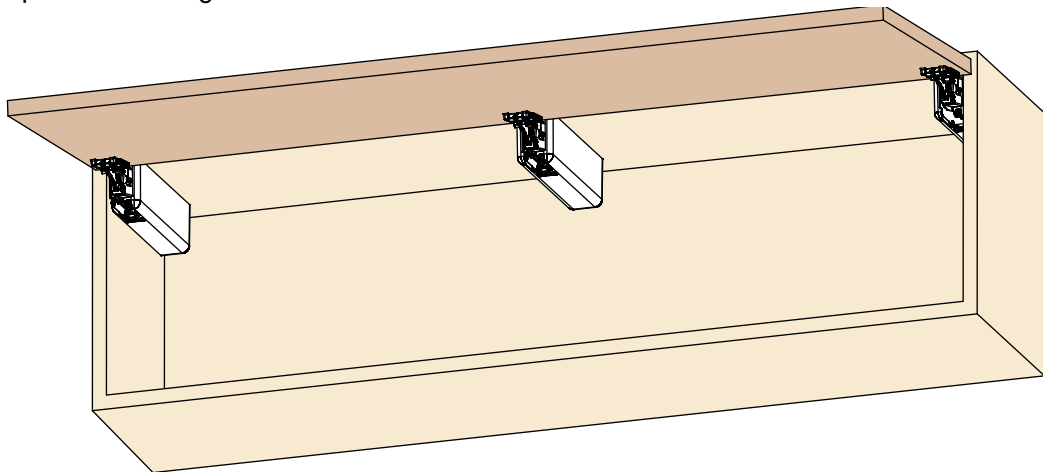


Unfasten the carriers.



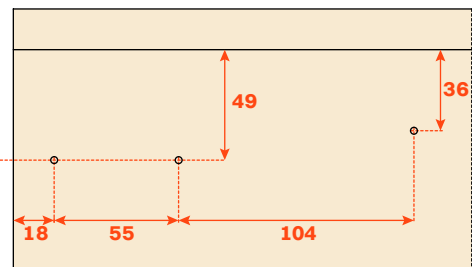
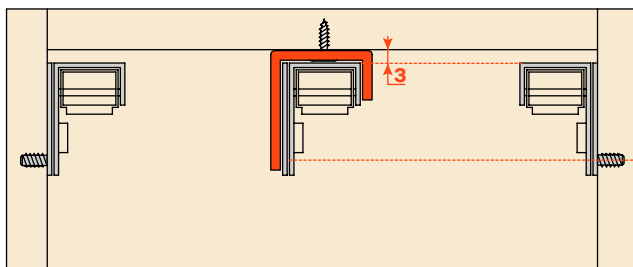
Applications of the carrier for wooden doors only

For cabinets that require a third hinge.

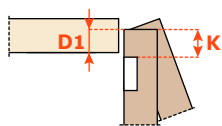
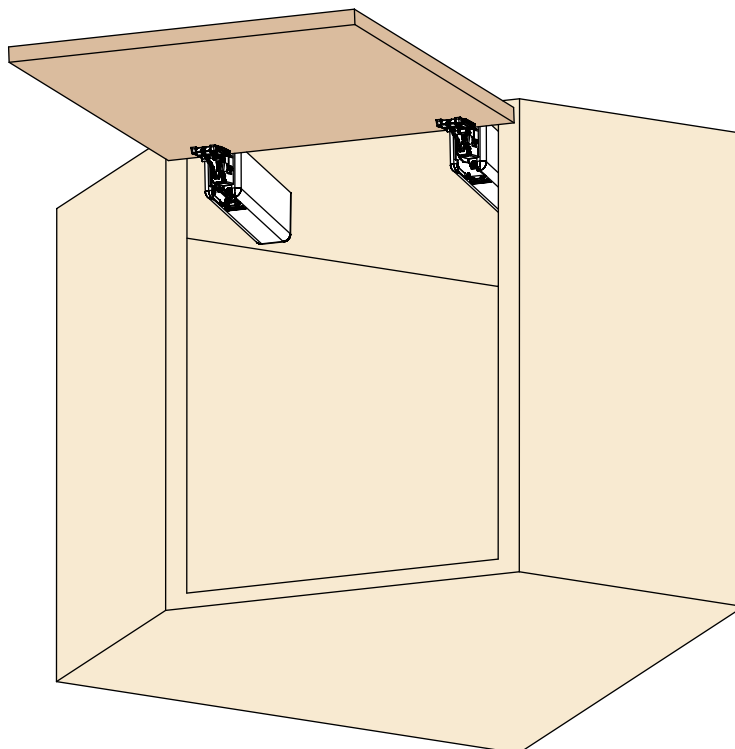


The carrier has a thickness of 3 mm.  
The cabinet side drillings must be lowered accordingly.

K	=	D1
3	=	13
4	=	14
5	=	15
6	=	16
7	=	17



For corner cabinets.



K	=	D1
3	=	13
4	=	14
5	=	15
6	=	16
7	=	17

# Wind

Colours of the cover for the hinges

## SRXA78A1SNXNF

White  
Cover cap: nickel-plated finish



## SRXA78AQSXNF

Glossy white  
Cover cap: nickel-plated finish



## SRXA78AMSXNF

Grey  
Cover cap: nickel-plated finish



## SRXA78AISXNF

Stainless steel  
Cover cap: nickel-plated finish



## SRXA78A0SNXNF

Satin metal black  
Cover cap: titanium finish



## SRXA78ANSXNF

Glossy metal black  
Cover cap: titanium finish



## SRXA78ACSNXNF

Champagne  
Cover cap: nickel-plated finish

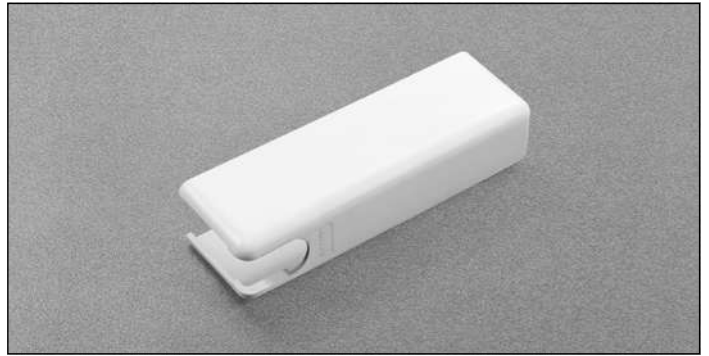


Colours of the cover for the carriers

**1** - White



**Q** - Glossy white



**M** - Grey



**I** - Stainless steel



**O** - Satin metal black



**N** - Glossy metal black




**C** - Champagne




# Wind


## Packing - Hinges for wooden doors

Hinges	Part number	Packing	Pallet
	<b>SOFT CLOSE</b>	<p><b>BOX</b></p> <ul style="list-style-type: none"> <li>1 hinge for right side</li> <li>1 hinge for left side</li> <li>•</li> <li>1 plate for right hinge</li> <li>1 plate for left hinge</li> <li>•</li> <li>Fixing screws and template for cabinet side drilling included</li> </ul> <p><b>CARTON</b></p> <p>8 boxes</p>	192 cartons
	Nickel-plated finish <b>FRALFEX_SN9</b> Spring strength _____ ↑ from page 24 to page 26		
	<b>PUSH OPENING</b>		
	Nickel-plated finish <b>FRALFEP_SN9</b> Spring strength _____ ↑ from page 24 to page 26		

Cover	Part number	Packing	Pallet
	<p><b>SRXA78A_SNXNF</b></p> <p>Colour of the cover ↑ Page 18</p>	<p><b>BOX</b></p> <ul style="list-style-type: none"> <li>1 covers for right system</li> <li>•</li> <li>1 covers for left system</li> <li>•</li> <li>cover caps included</li> </ul> <p><b>CARTON</b></p> <p>8 boxes</p>	192 cartons

Carrier and cover	Part number	Carton
	<p><b>FRAUFEXNSN</b></p> <p>Colour of the cover _____ ↑ Page 19</p>	<ul style="list-style-type: none"> <li>2 carriers</li> <li>•</li> <li>2 covers for the carriers</li> <li>•</li> <li>Screws to fix the plate to the carriers included</li> </ul>

Packing - Hinges for aluminium framed doors

Hinges	Part number	Packing	Pallet
	<b>SOFT CLOSE</b>	<p style="text-align: center;"><b>BOX</b></p> <p>1 hinge for right side 1 hinge for left side</p> <p style="text-align: center;">•</p> <p>1 plate for right hinge 1 plate for left hinge</p> <p style="text-align: center;">•</p> <p>Fixing screws and template for cabinet side drilling included</p> <p style="text-align: center;"><b>CARTON</b> 8 boxes</p>	192 cartons
	<p style="text-align: center;">Nickel-plated finish</p> <p style="text-align: center;"><b>FRAZFEX_SN9</b></p> <p>Spring strength _____ ↑ from page 24 to page 26</p>		
	<p style="text-align: center;">Titanium finish</p> <p style="text-align: center;"><b>FRAZFEX_SN6</b></p> <p>Spring strength _____ ↑ from page 24 to page 26</p>		
	<b>PUSH OPENING</b>		
	<p style="text-align: center;">Nickel-plated finish</p> <p style="text-align: center;"><b>FRAZFEP_SN9</b></p> <p>Spring strength _____ ↑ from page 24 to page 26</p>		
<p style="text-align: center;">Titanium finish</p> <p style="text-align: center;"><b>FRAZFEP_SN6</b></p> <p>Spring strength _____ ↑ from page 24 to page 26</p>			
	<p style="text-align: center;"><b>SRXA78A_SNXNF</b></p> <p>Colour of the cover _____ ↑ Page 18</p>	<p style="text-align: center;"><b>BOX</b></p> <p>1 covers for right system • 1 covers for left system • cover caps included</p> <p style="text-align: center;"><b>CARTON</b> 8 boxes</p>	192 cartons

# Wind

## Accessories for aluminium frame



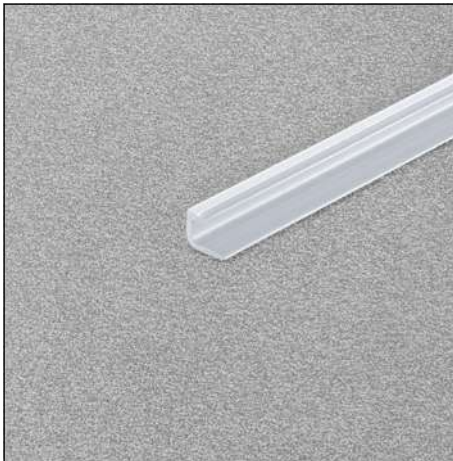
Corner connectors for the frame assembly of the doors and the fixing of the hinge.

Part number	Description	Packing
<b>DRZ4BSFV04</b>	For 48 mm aluminium frame	Boxed in bags of 25 • 4 corner connectors and assembly nickel-plated and titanium screws



Aluminium door profile.

Part number	Packing	Length
<b>DRZ4LP300P</b>	10 lengths in anodised aluminium	3 metres
<b>DRZ4LP300T</b>	10 lengths in Titanium finish	3 metres

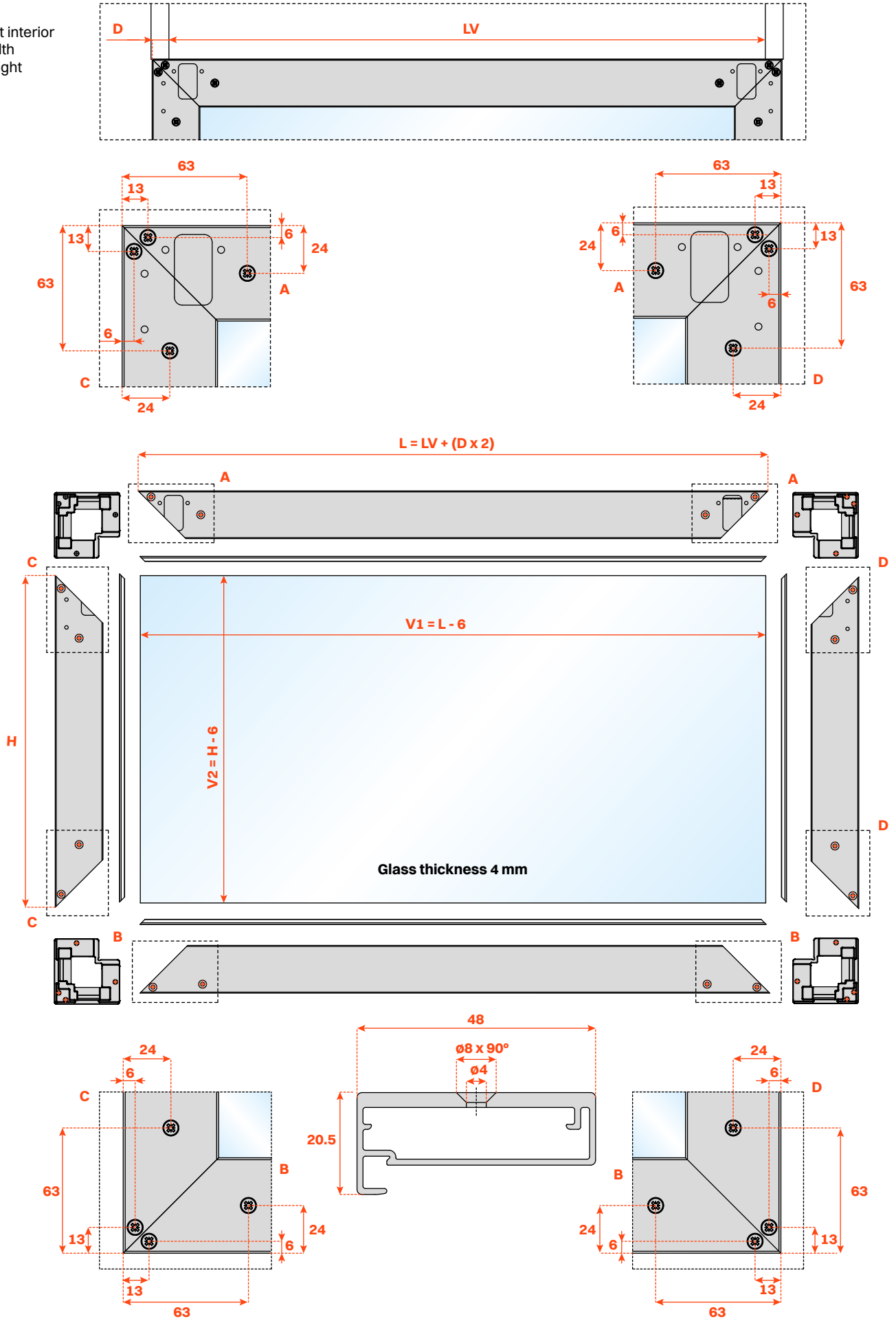


Gasket for glass.

Part number	Packing	Length
<b>DRZXAG3000T</b>	100 gaskets	3 metres

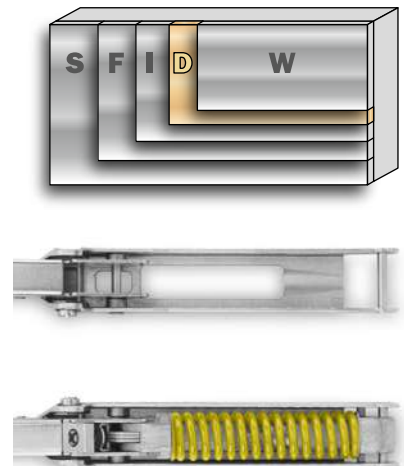
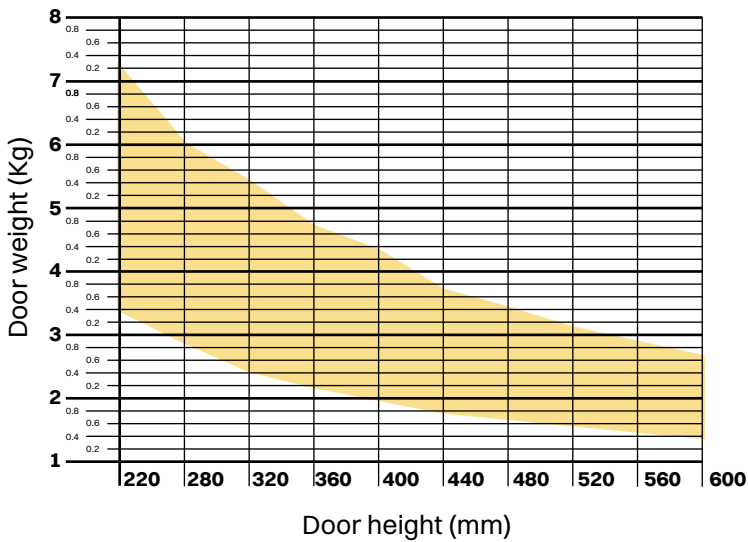
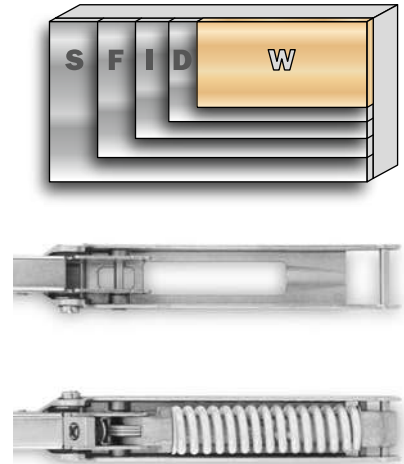
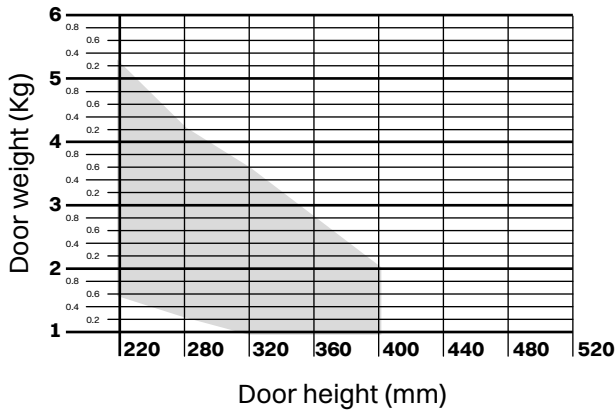
# Assembly of aluminium framed door

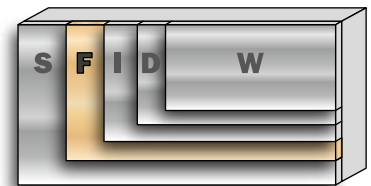
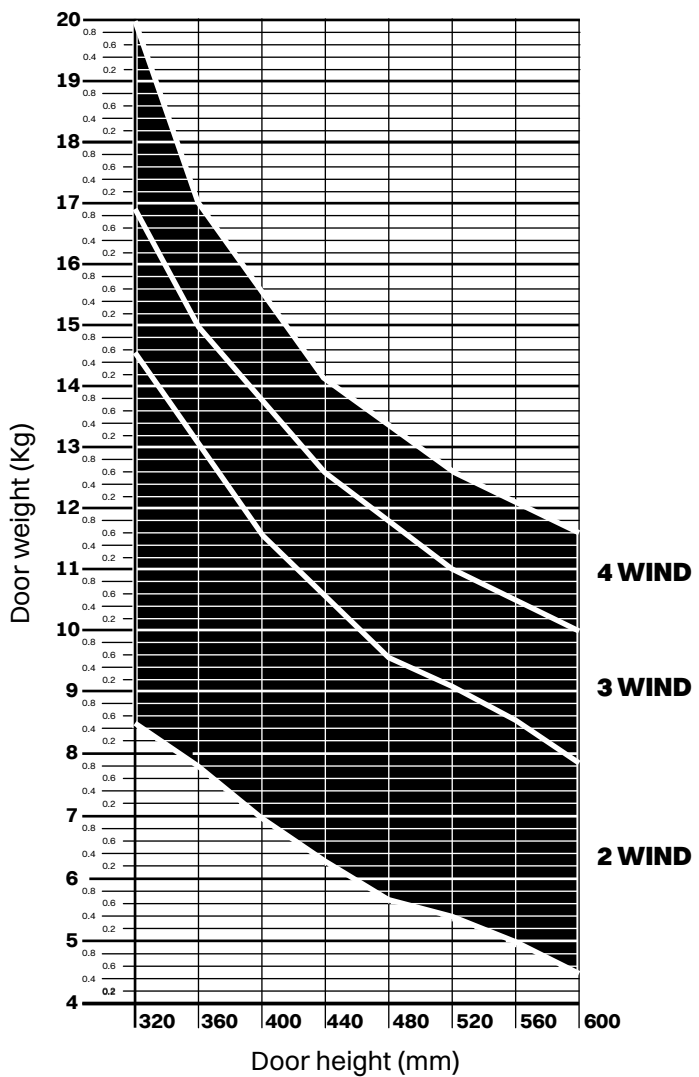
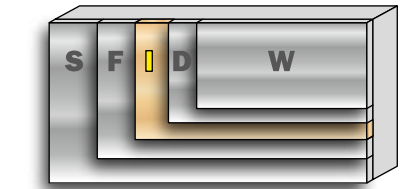
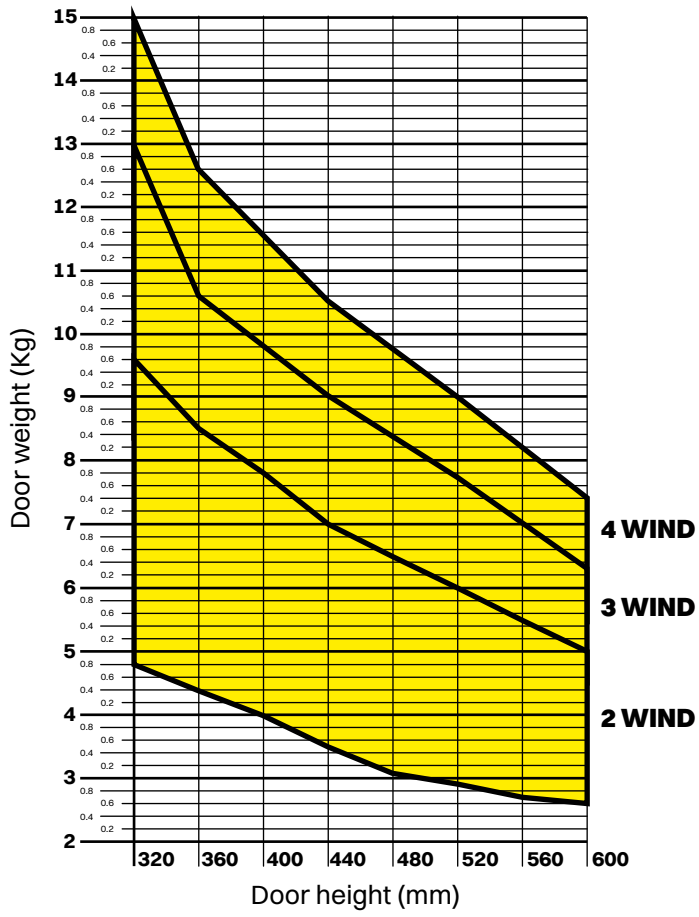
**D** = overlay  
**LV** = cabinet interior  
**L** = door width  
**H** = door height



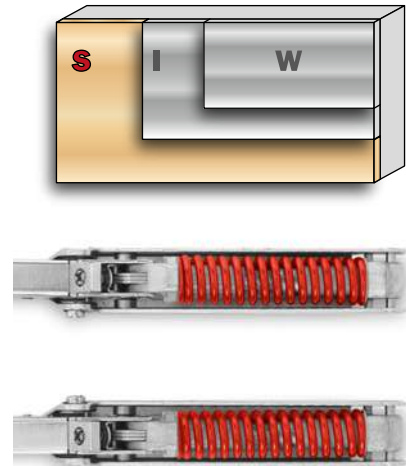
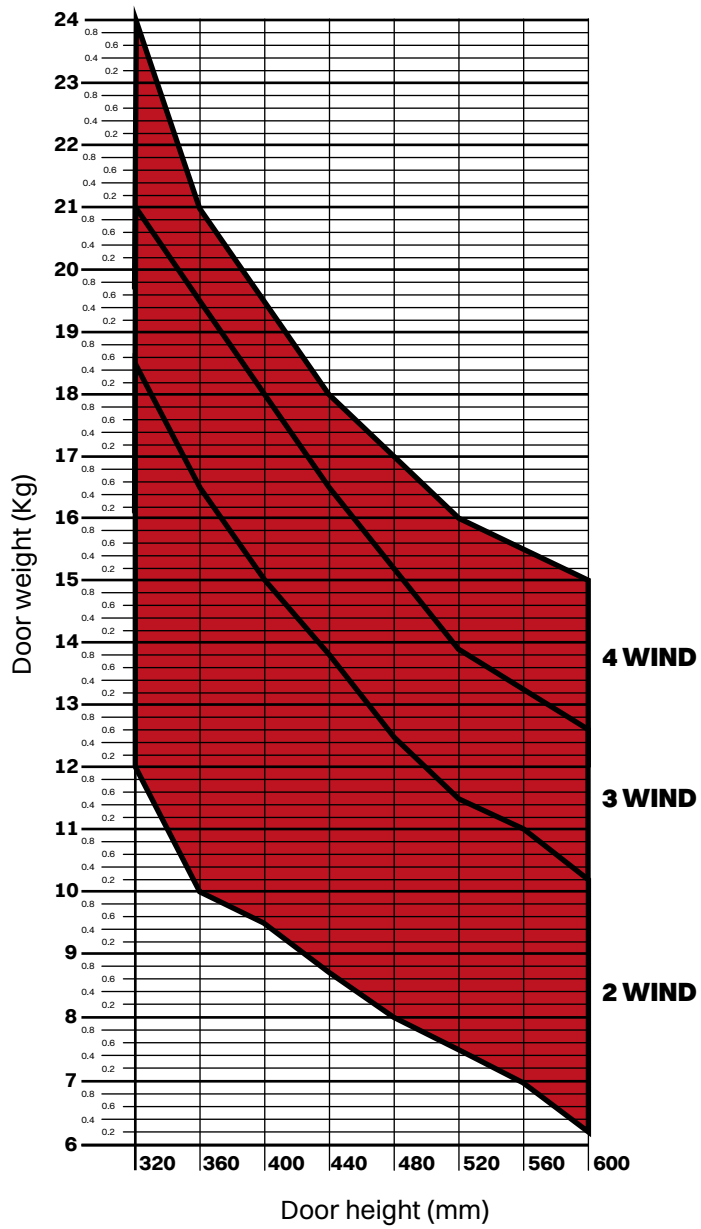
# Wind Charts

Charts to determine which hinge is to be used for a particular door size and weight, for use with a pair of Wind hinges. For doors of large weight and dimensions, it is possible to use more than two hinges on the same door. These systems can be fixed to intermediate sides or, if not possible, by using the optional carrier for the plate (page 14). In this case please carefully check the chart concerning the door overlay on top of the cabinet (D1). We recommend that all applications are verified by a practical trial. Our technical Assistance Service is at your disposal to recommend the best solution.





# Wind Charts





*Magnetic Push*

## Magnetic Push

Recessed magnetic release device and retaining catches

**DPMSNB** - beige



**DPMSNG** - grey



Magnetic catch  
Ø 10 mm, 40 mm length.

**Packing**

Boxes 250 pcs.  
Cartons 1.500 pcs.

**DPASNB** - beige



**DPASNG** - grey



Optional supplementary magnetic catch to increase the holding strength. It must always be used together with the DPM. The suggested position of the DPM is the point of pressure on the door. The DPA can be positioned at any point along the opening edge of the door. Ø 10 mm, 40 mm length.

**Packing**

Boxes 250 pcs.  
Cartons 1.500 pcs.

**DP39XXG**



Adjustable magnetic retaining catch.  
Ø 16.6 mm.

**Packing**

Boxes 250 pcs.

**DP28SN9**

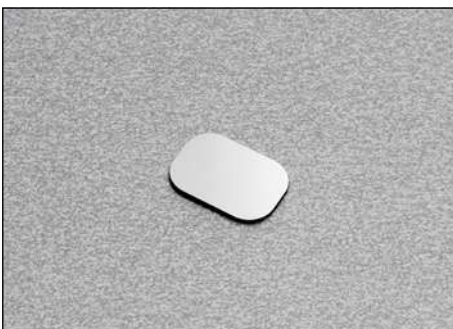


Pin-fix striker for magnetic catches.  
Ø 11.5 mm.

**Packing**

Boxes 250 pcs.

**DP38XX91**



Self-adhesive striker for magnetic catches.  
20x14 mm.

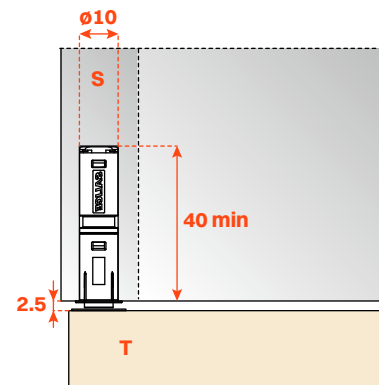
**Packing**

Boxes 250 pcs.

## Release device application

### Application of the release device to be recessed

Drill a hole  $\varnothing$  10 mm and min. 40 mm depth in the top, the side or the base panel of the cabinet.  
Insert the release device into the hole.



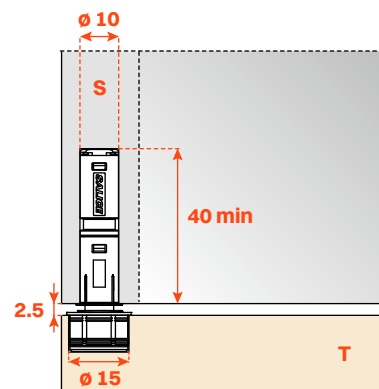
### Inserted adjustable retaining catch.

The retaining catch DP39 is itself magnetic and together with the magnetism of the release device DPM considerably increase (30%) the holding strength of the door against the cabinet side, thus avoiding accidental openings.

For aluminium framed doors, we recommend using a one component polyurethane adhesive with low expansion.

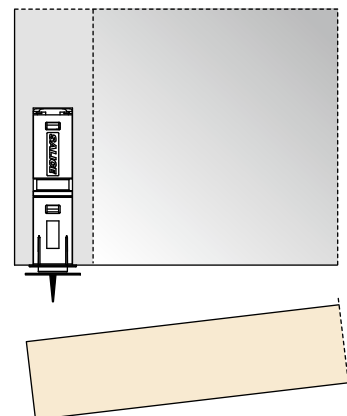
For the installation it is necessary to drill a hole  $\varnothing$ 15 mm and 11 mm depth in the door.

Depth adjustment from -0.5 mm to +2.5 mm.



### Pin-fix striker only for wooden doors

Apply the retaining catch to the magnetic release device.  
Close the door.  
The point of the retaining catch will show where to insert it.  
Reopen the door and drive in the pin to fix in position.



### Retaining catch with adhesive strip

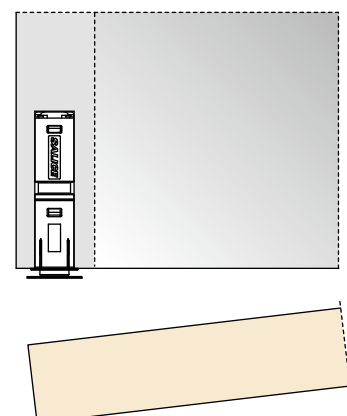
Apply the retaining catch to the magnetic release device. Remove the protective strip from the adhesive. Close the door. In this way the retaining catch is positioned on the door. Reopen the door and apply a firm pressure to the retaining catch to ensure a correct installation.

#### ATTENTION:

For a correct application and to ensure optimal endurance, we suggest these guidelines are followed:

- 1 - clean and degrease the door surface where the retaining catch is to be installed;
- 2 - remove the protective strip from the adhesive;
- 3 - place the retaining catch in position, in a place that is at room temperature  $\geq 10^\circ$  and apply a firm pressure for 10-15 seconds.

After few seconds from the installation the retaining catch is suitable for the use.  
After 24h the max. hold is attained.



## HEADQUARTERS AND PRODUCTION UNITS

---

### ARTURO SALICE S.p.A.

#### HEAD OFFICE

VIA PROVINCIALE NOVEDRATESE, 10  
22060 NOVEDRATE (COMO) ITALIA  
TEL. 031 790424 - FAX 031 791508  
info.salice@salice.com  
www.salice.com

#### ARTURO SALICE S.p.A.

VIA ARISTIDE MERLONI, 11  
61036 COLLI AL METAURO (PU) ITALIA  
TEL. 0721 899800  
FAX 0721 897980  
info.salice@salice.com  
www.salice.com

#### BORTOLUZZI SISTEMI S.p.A.

VIA CADUTI 14 SETTEMBRE 1944, 45  
32100 BELLUNO (BL) ITALIA  
TEL. 0437 930866  
FAX 0437 931442  
info@bortoluzzi.com  
www.salice.com

#### NUOVA ATIM S.r.l.

VIA IV NOVEMBRE, 52  
20019 SETTIMO MILANESE (MI) ITALIA  
TEL. 02 33503203  
FAX 02 33516514  
info@atimspa.com  
www.atimspa.com

#### VILLES S.r.l.

VIA CASTOLDI, 6/8  
20090 TREZZANO SUL NAVIGLIO (MI) ITALIA  
TEL. +39 02 4452083  
FAX +39 02 4452838  
info@villes2000.com  
www.villes2000.com

## BRANCHES

---

#### DEUTSCHE SALICE GMBH

RUDOLF DIESEL STR. 10  
74382 NECKARWESTHEIM  
TEL. 07133 9807-0  
FAX. 07133 9807-16  
info.salice@deutschesalice.de  
www.salice.com

#### DEUTSCHE SALICE GMBH

VERKAUFSBÜRO NORD  
RINGSTRASSE 36/A30 CENTER  
32584 LÖHNE  
TEL. 05731 15608-0  
FAX. 05731 15608-10  
vknord@deutschesalice.de  
www.salice.com

#### SALICE UK LTD.

KINGFISHER WAY  
HINCHINGBROOKE BUSINESS PARK  
HUNTINGDON CAMBS PE 29 6FN  
TEL. 01480 413831  
FAX. 01480 451489  
info.salice@saliceuk.co.uk  
www.salice.com

#### SALICE FRANCE S.A.R.L.

285 RUE DE GOA ZAC LES 3 MOULINS  
06600 ANTIBES  
TEL. 0493 330069  
FAX. 0493 330141  
info.salice@salicefrance.com  
www.salice.com

#### SALICE ESPAÑA, S.L.U.

C/ AIGUAFREDA 4, P.I. AMETLLA PARK  
08480 L'AMETLLA DEL VALLÈS (BARCELONA)  
TEL. 0034 938 46 88 61  
info.salice@saliceespana.es  
www.salice.com

#### SALICE PORTUGAL UNIP. LDA

**SHOWROOM:**  
TV SÁ E MELO 161 FA  
4470-116 MAIA - PORTO  
TEL: 00351 224 154 221  
Info@saliceportugal.pt  
www.salice.com

**ARMAZÉM:**  
VIA ROTA DOS MÓVEIS I 399  
4585-325 GANDRA

#### SALICE CHINA (SHANGHAI) CO. LTD.

RM 602, 6/F, TOWER 1,  
3688 YINGGANG DONG ROAD  
QINGPU DISTRICT  
201703 SHANGHAI, CHINA  
TEL. 021 3988-9880  
info.salice@salicechina.com  
www.salicechina.com

#### SALICE INDIA PVT. LTD.

1001 & 1002, 10TH FLOOR,  
CENTRUM, PLOT NO. C-3,  
OPP. WAGLE PRABHAG SAMITI OFFICE,  
MIDC AREA, WAGLE INDUSTRIAL ESTATE,  
THANE - 400604, MAHARASHTRA  
TEL. 022 20812050  
info@saliceindia.com  
www.salice.com

#### SALICE CANADA INC.

3500 RIDGEWAY DRIVE,  
UNIT#1  
MISSISSAUGA, ONTARIO, L5L 0B4  
TEL. 905 820 8787  
FAX. 905 820 7226  
info.salice@salicecanada.com  
www.salicecanada.com

#### SALICE AMERICA INC.

2123 CROWN CENTRE DRIVE  
CHARLOTTE NC. 28227  
TEL. 704 841 7810  
FAX. 704 841 7808  
info.salice@saliceamerica.com  
www.saliceamerica.com



# **ARTURO SALICE S.p.A.**

## **HEAD OFFICE**

VIA PROVINCIALE NOVEDRATESE, 10  
22060 NOVEDRATE (COMO) ITALIA  
TEL. 031 790424 - FAX 031 791508

[info.salice@salice.com](mailto:info.salice@salice.com)  
[www.salice.com](http://www.salice.com)



**Digital contents**