



Mover - Mover Flat

SALICE

Mover



Mover is a vertical sliding system for wall cabinet doors. The action of the system is synchronised and controlled, enabling the door to be held in any position. Mover is extremely compact. It does not require double side panels or counterweights and so maximises the available space in the cabinet. With Mover, the door can be “parked” safely and securely in any position. Mover is particularly suitable in restricted spaces as an alternative to conventionally-opening doors, notably in bathrooms and galley kitchens. It is also popular in living room applications for display and media cabinets.



Mover



Technical information

Vertical sliding system.

Door dimensions:

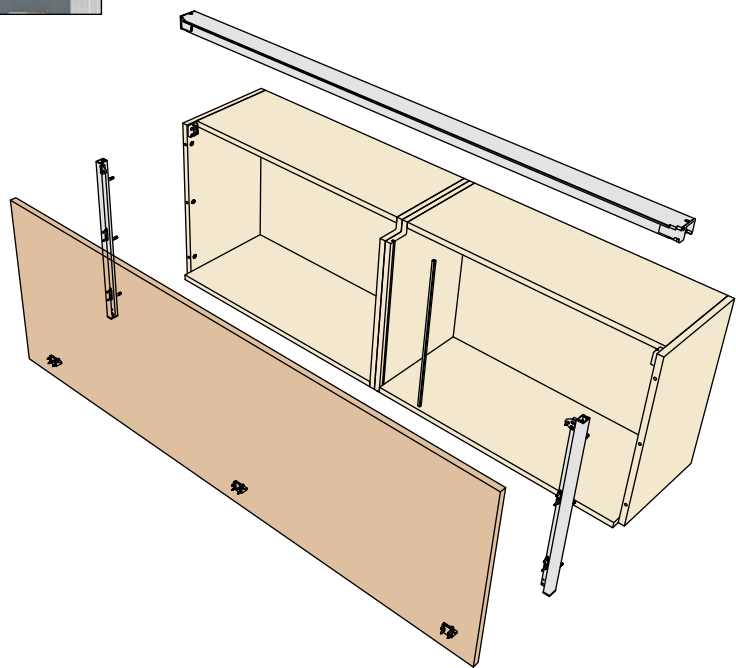
- width 900, 1200, 1800 and 2400 mm;
- height 480 and 600 mm.

Thickness of the cabinet side:

- 18 and 19/20 mm.

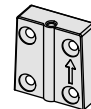
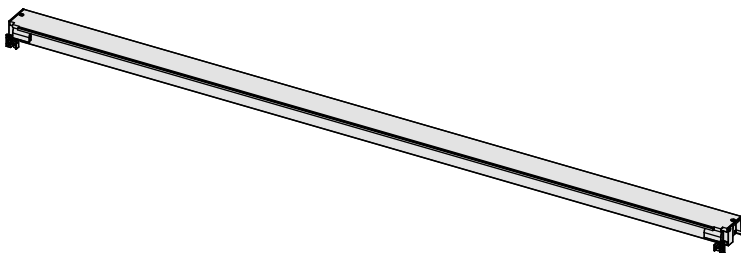
Adjustment:

- height adjustment ± 3 mm.



Components of the system

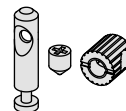
Horizontal supporting profile.



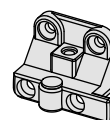
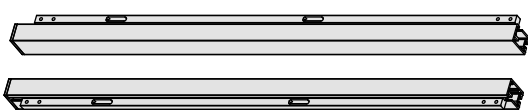
Fixing supports for the profile.



Tie-rods and cams to fix the runners.



Pair of telescopic full-extension runners.



Bumpers.

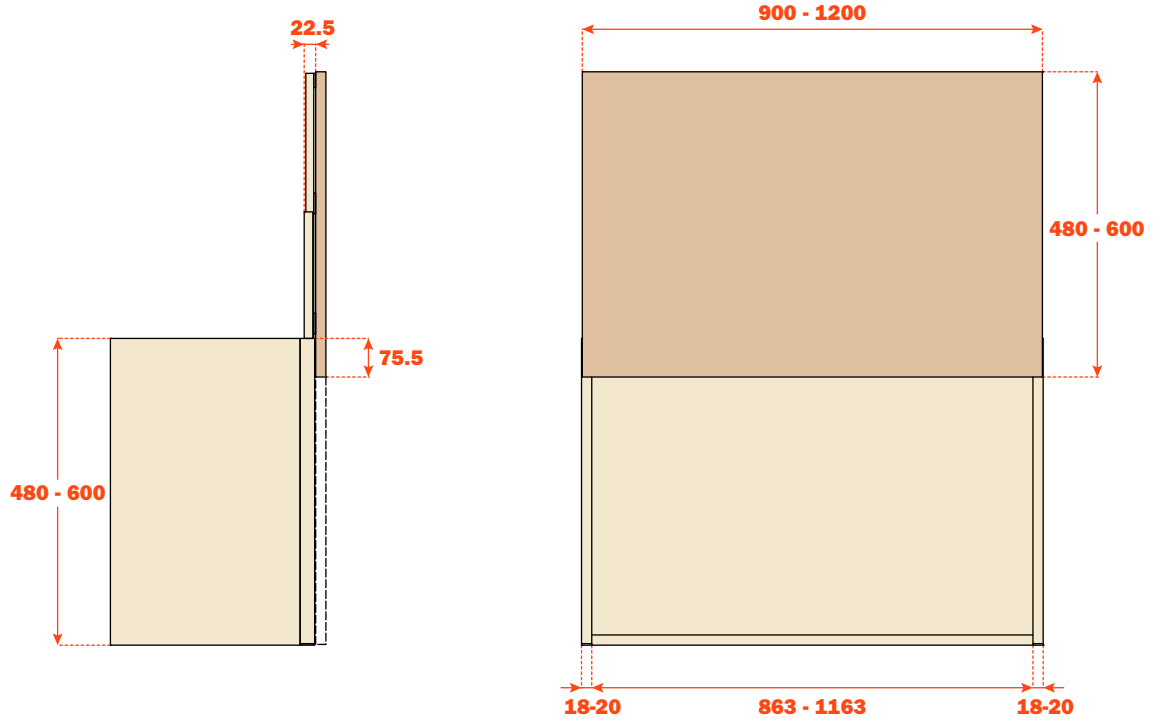
Sliding profile for central panel.

Required only for versions with doors of 1800mm and 2400mm width.

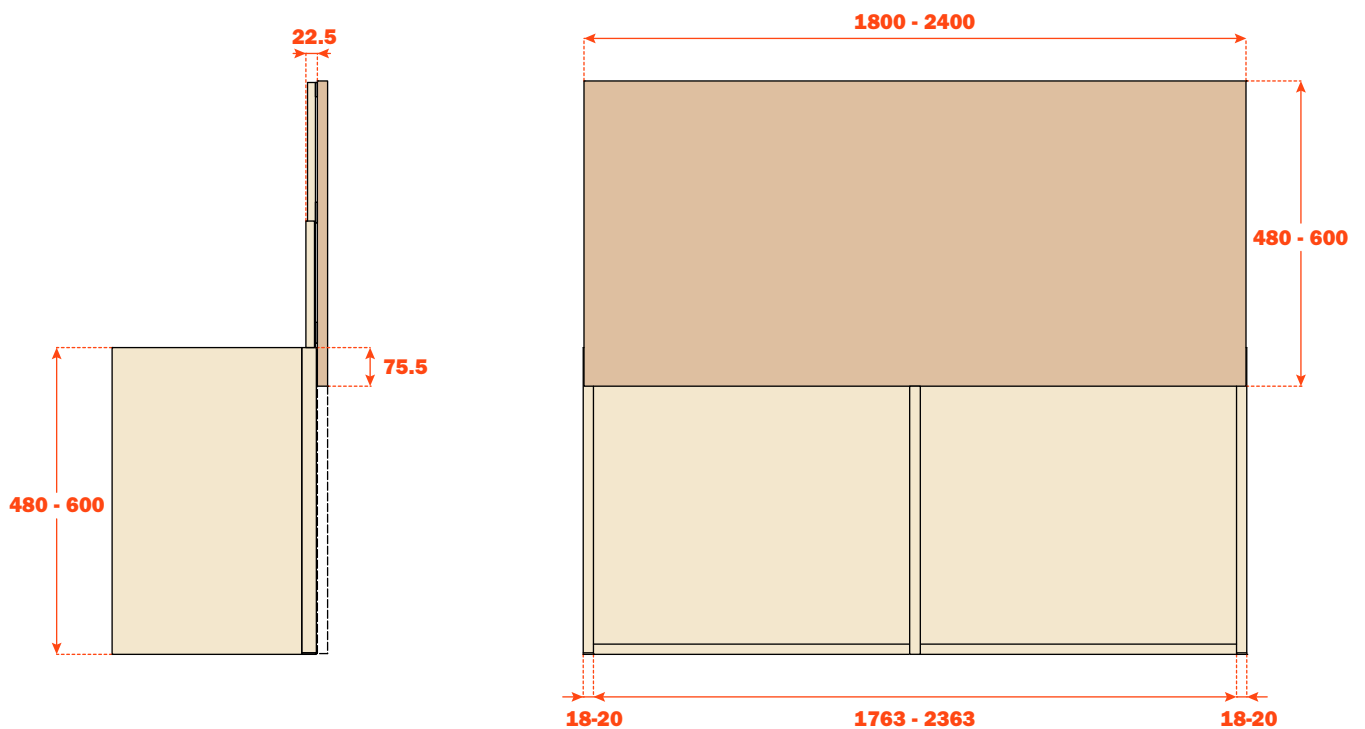


Hooks to mount the door onto the system.

Systems of 900mm and 1200mm cabinet width; height 480 mm and 600 mm.

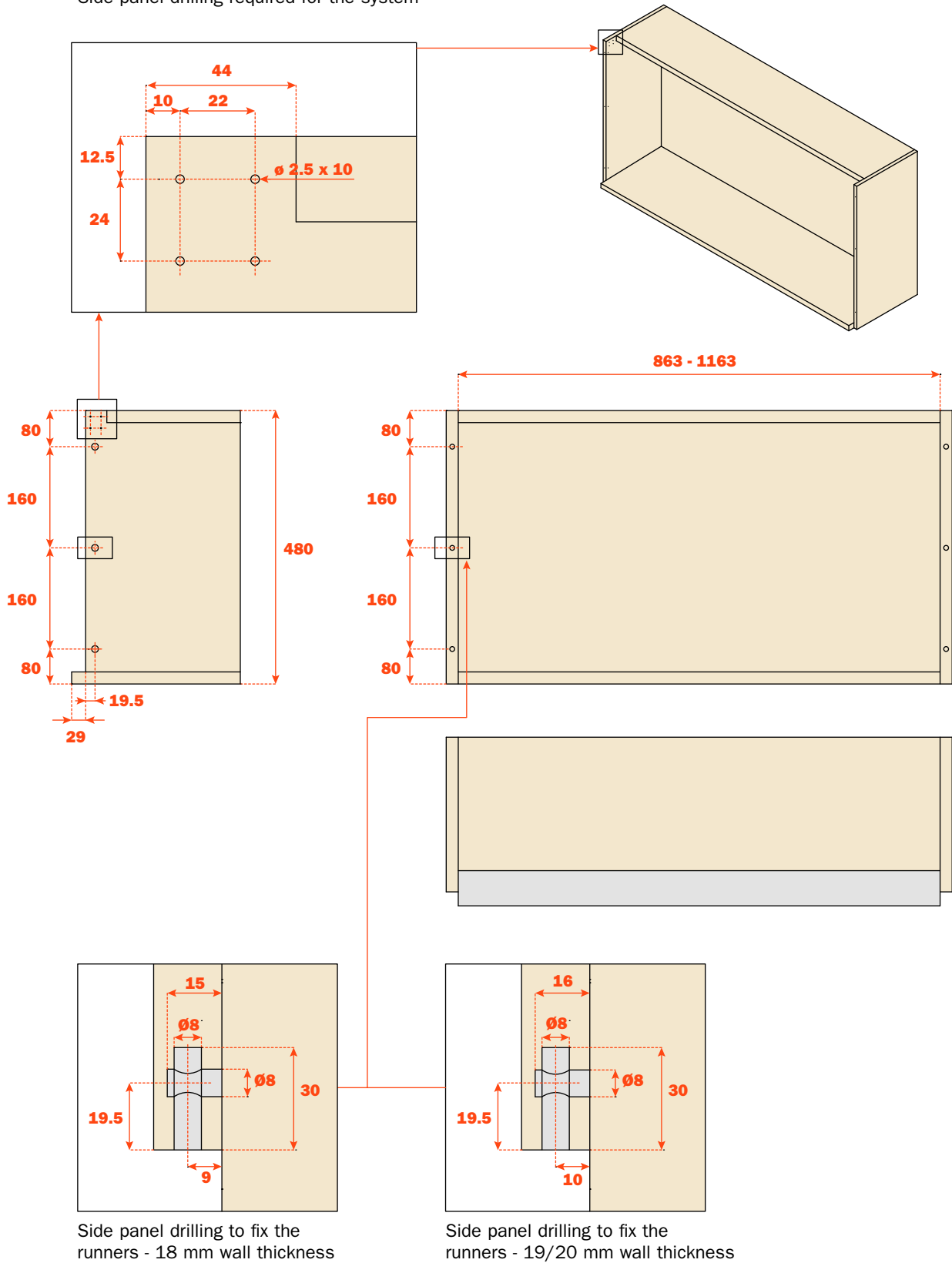


Systems of 1800mm and 2400mm cabinet width. This version requires a third runner and machining of the centre panel. Height 480 mm and 600 mm.

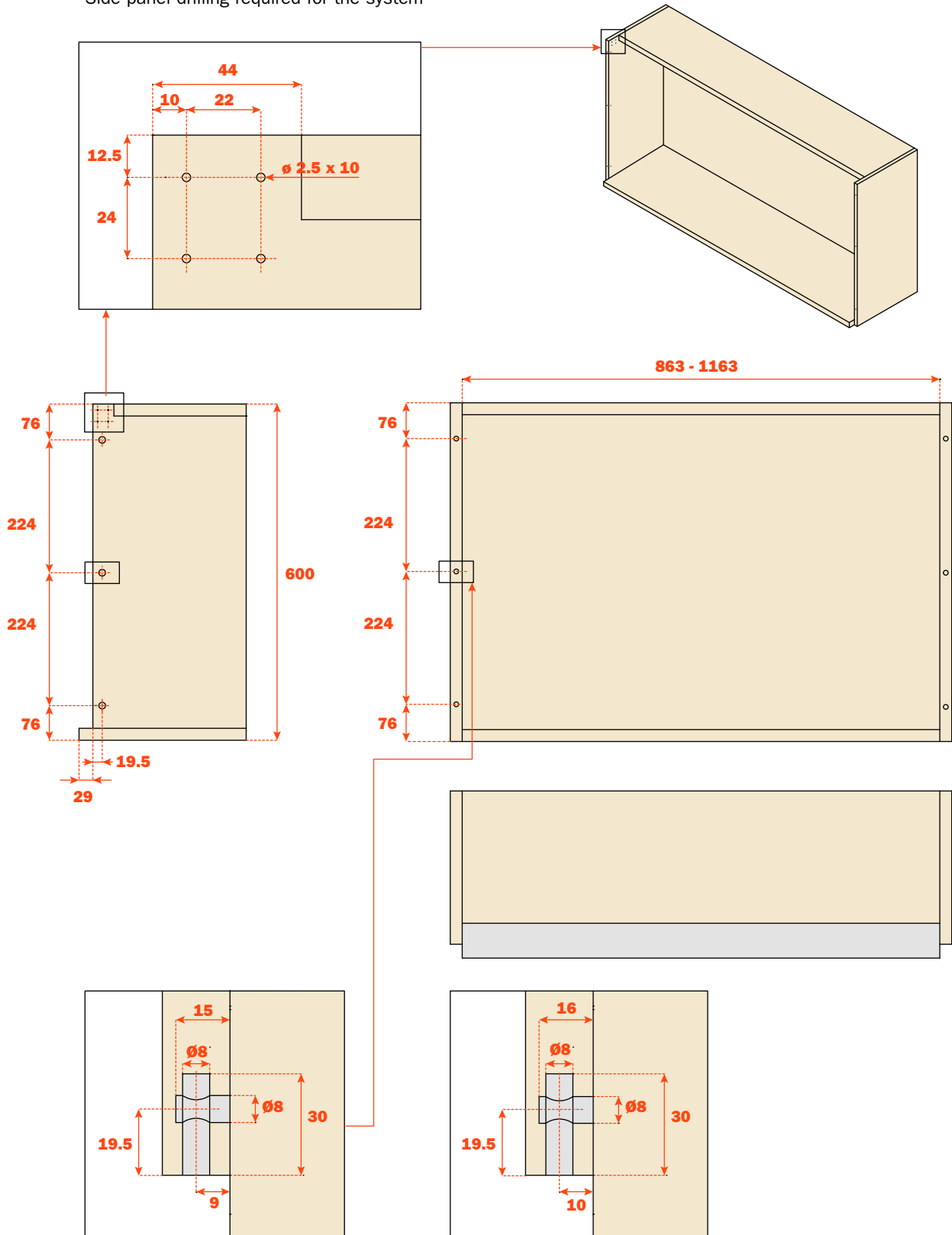


Mover - System for cabinet width 900 mm and 1200 mm - height 480 mm

Side panel drilling required for the system



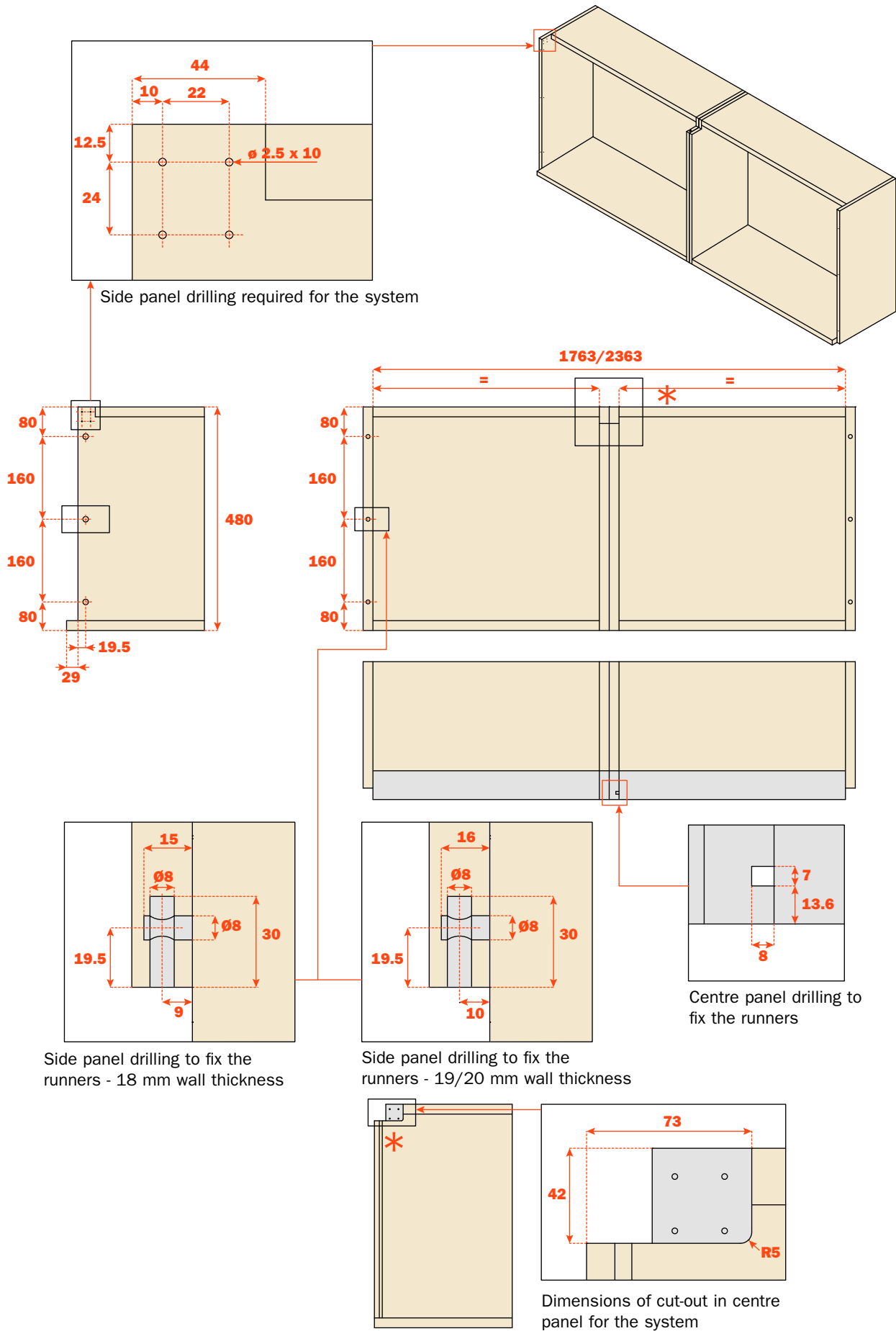
Side panel drilling required for the system



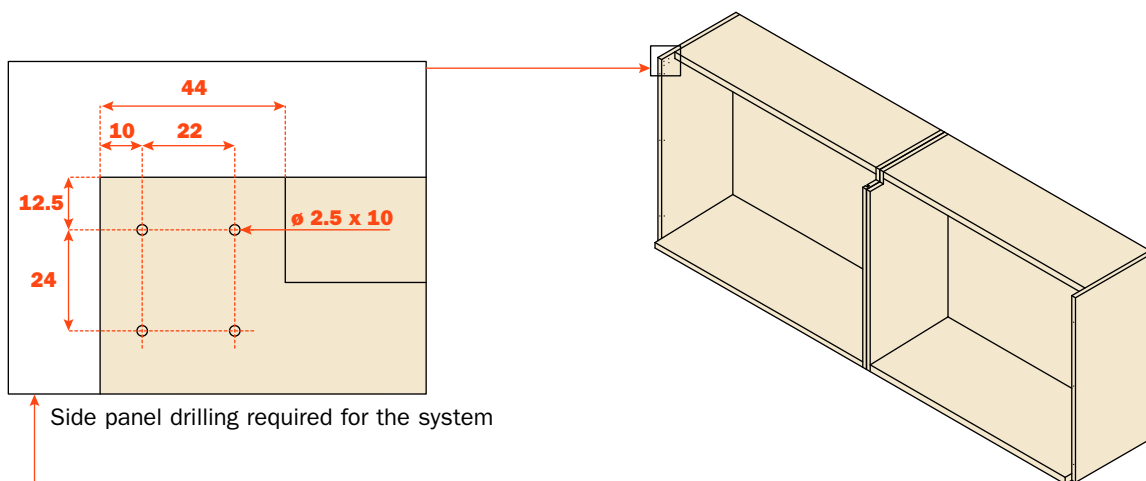
Side panel drilling to fix the runners - 18 mm wall thickness

Side panel drilling to fix the runners - 19/20 mm wall thickness

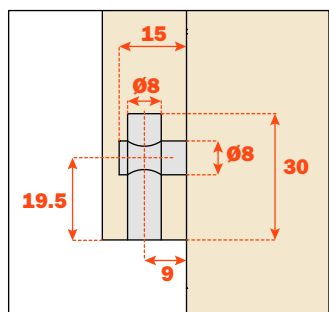
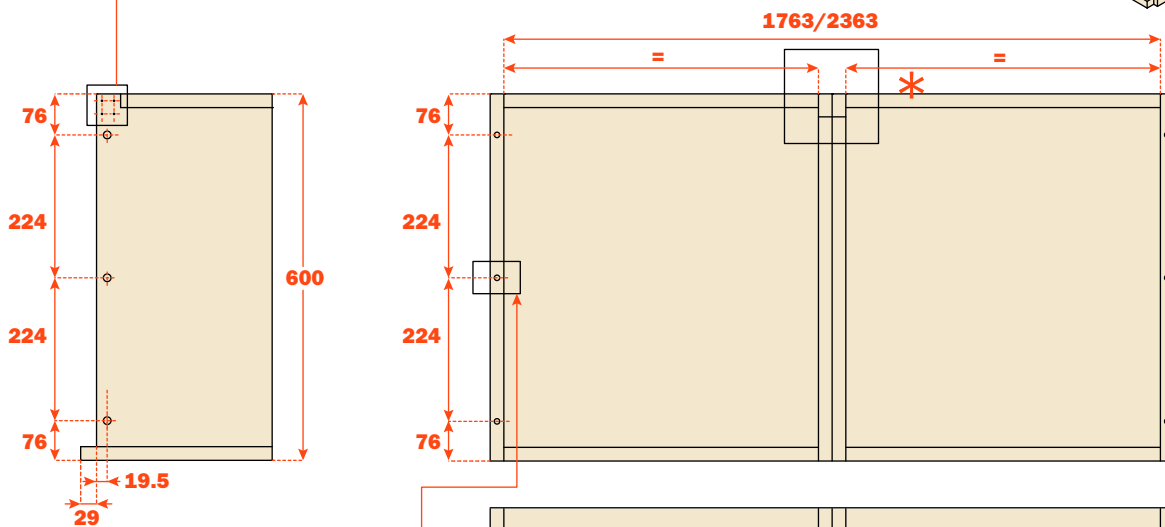
Mover - System for cabinet width 1800 mm and 2400 mm - height 480 mm



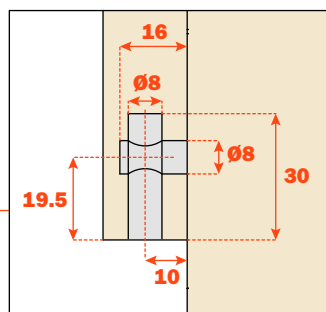
System for cabinet width 1800 mm and 2400 mm - height 600 mm



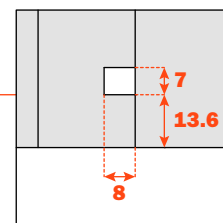
Side panel drilling required for the system



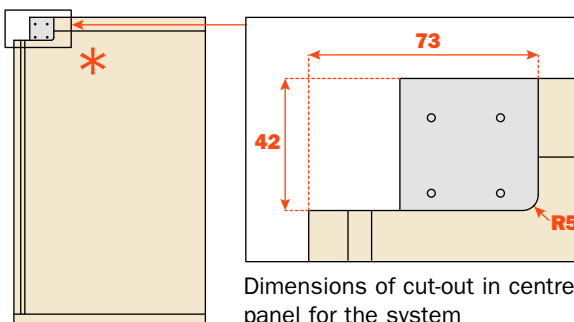
Side panel drilling to fix the runners - 18 mm wall thickness



Side panel drilling to fix the runners - 19/20 mm wall thickness



Centre panel drilling to fix the runners

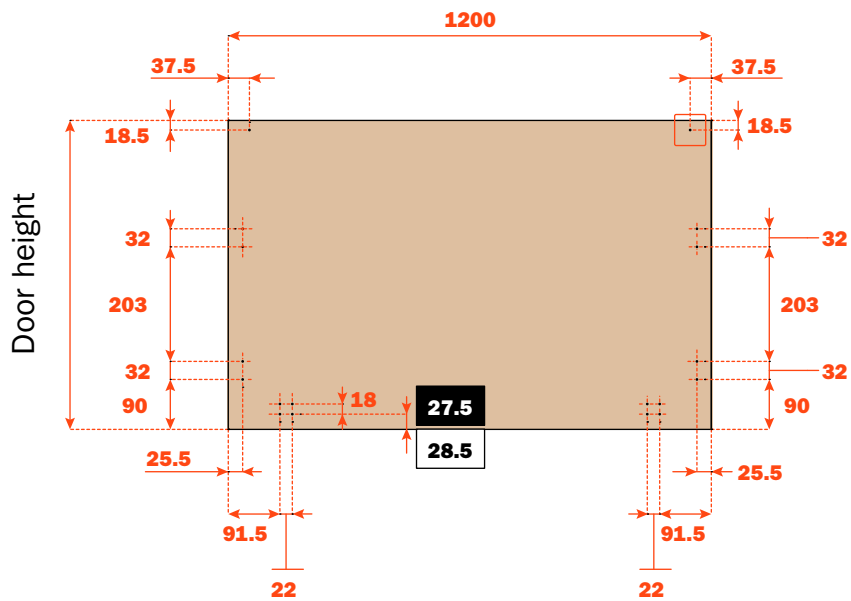
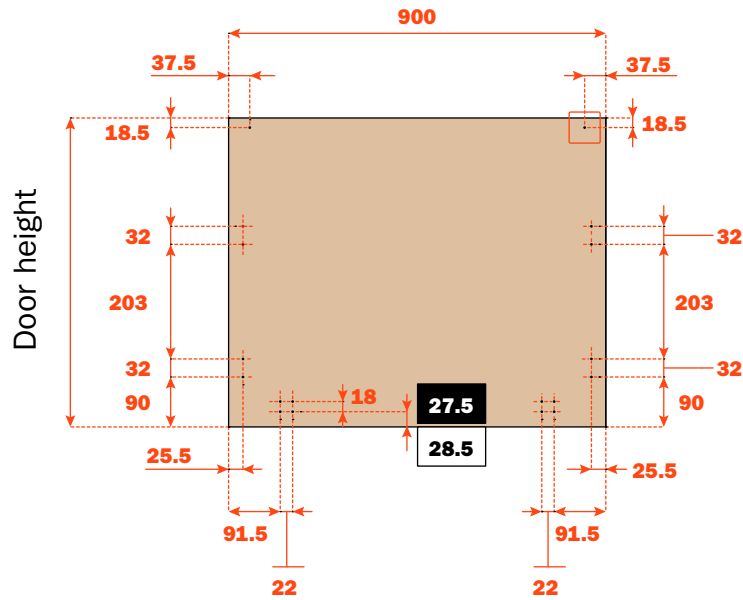


Dimensions of cut-out in centre panel for the system

Mover - Door drilling

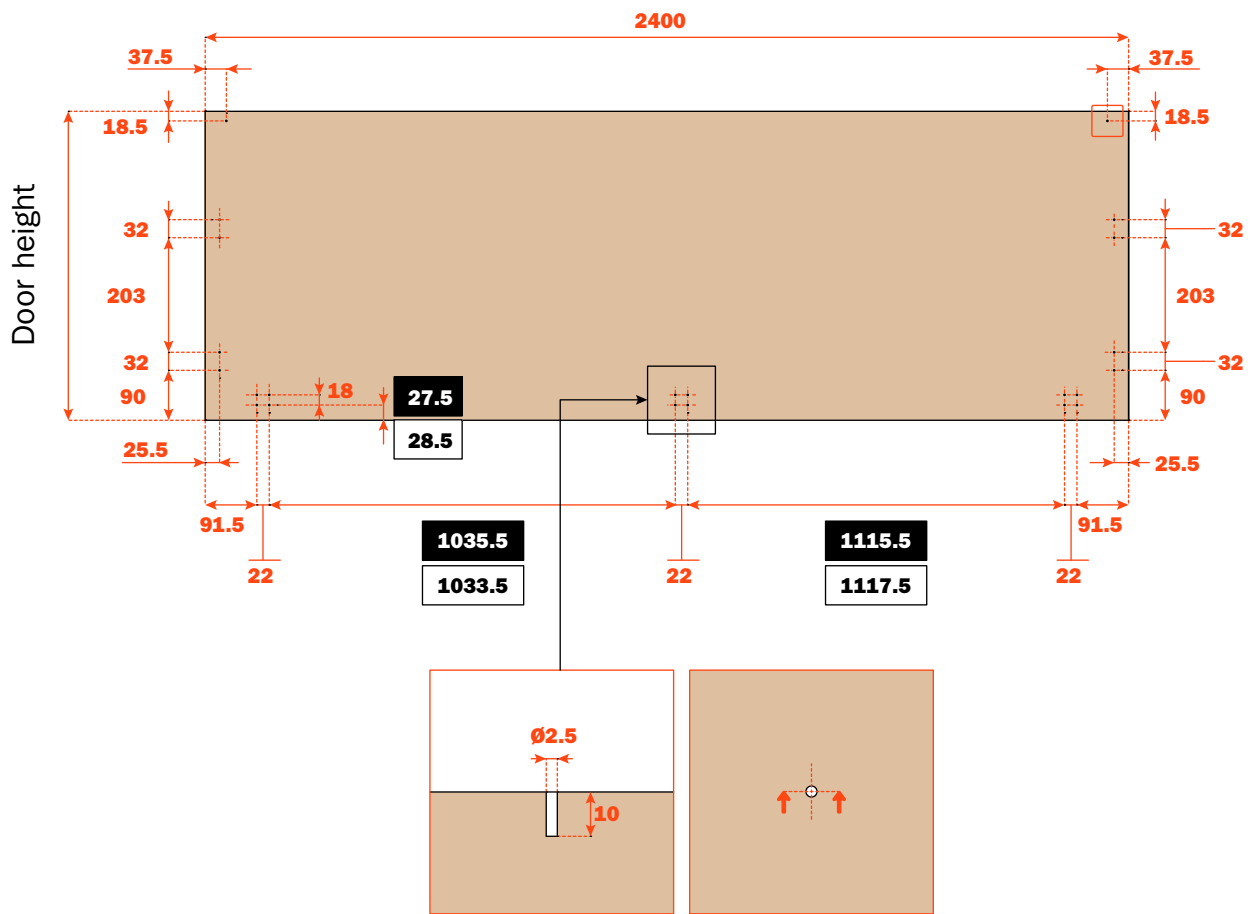
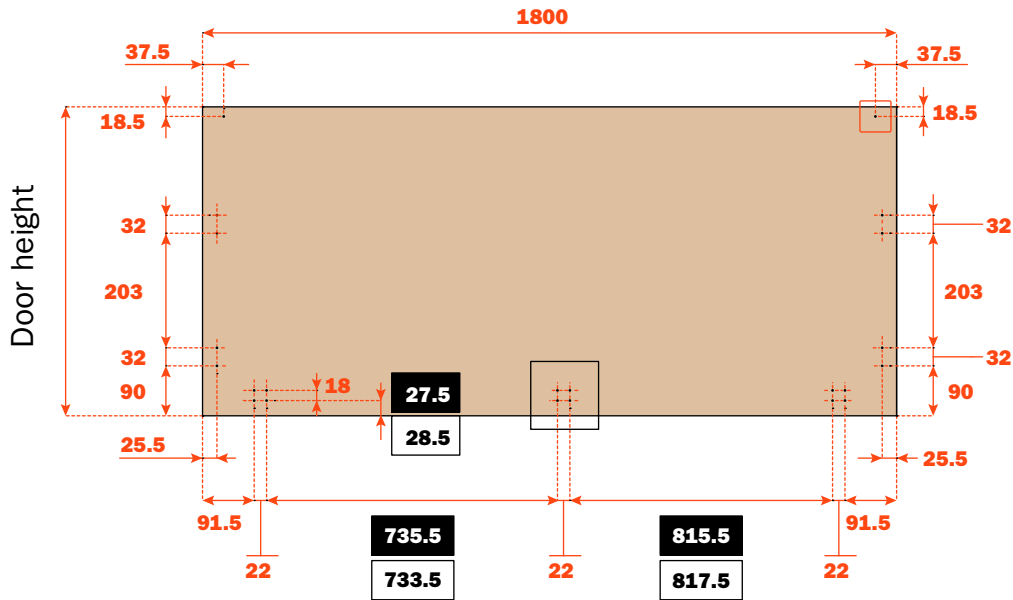
Drilling patterns with sides 18 mm

Drilling patterns with sides 19/20 mm



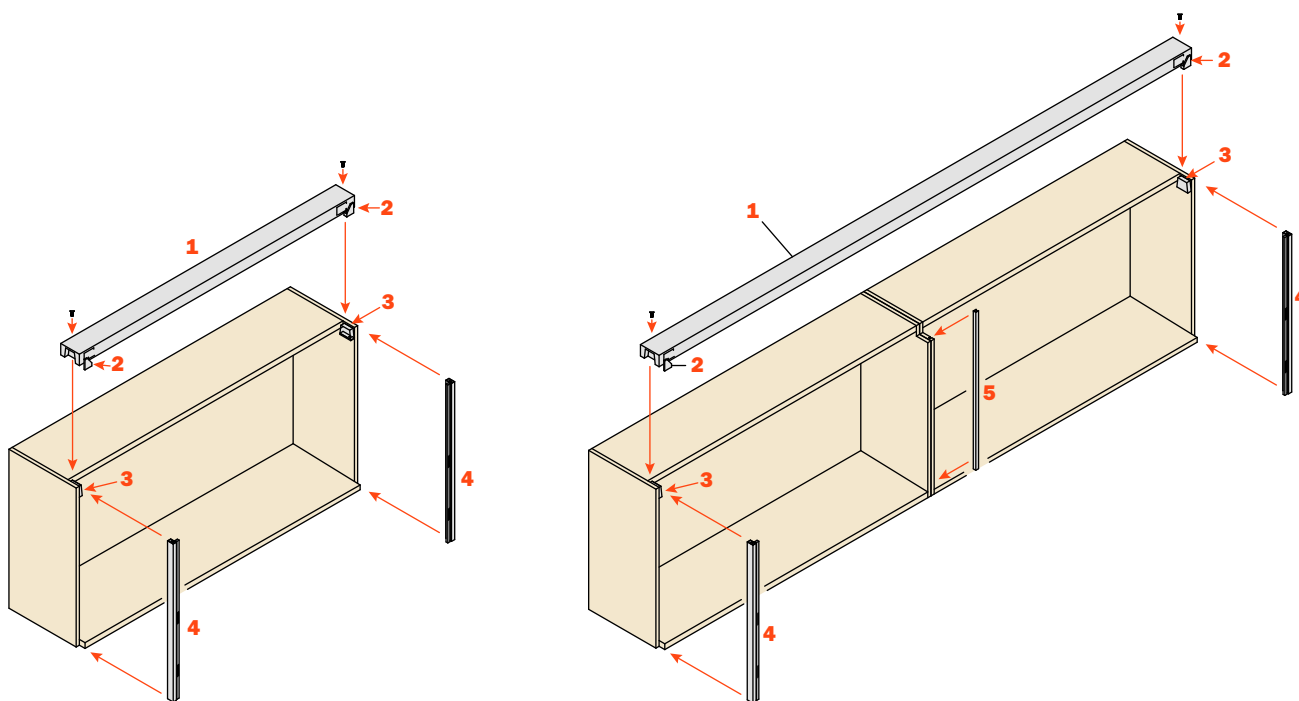
Drilling patterns with sides 18 mm

Drilling patterns with sides 19/20 mm

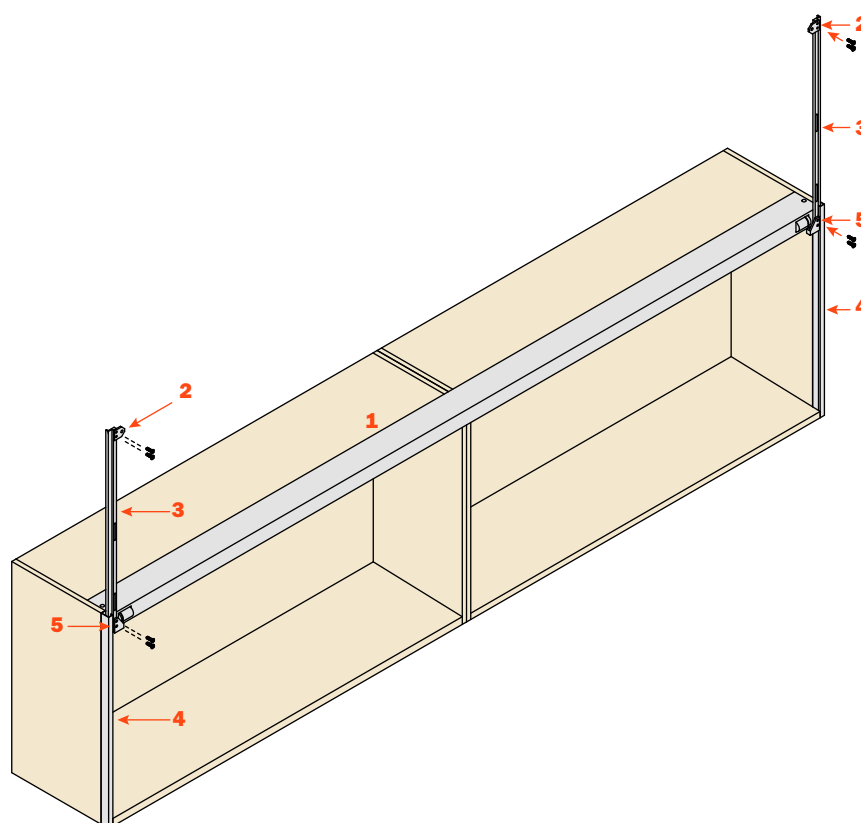


Mover - Assembly instructions

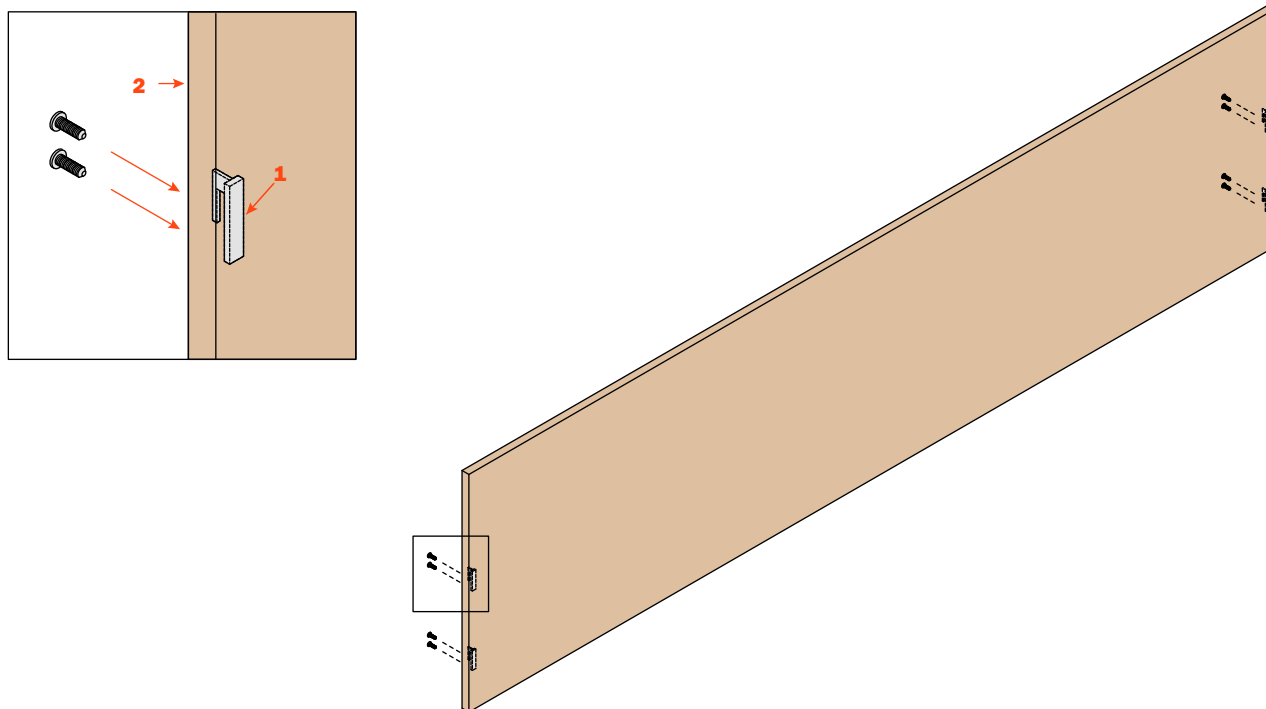
Fix the supports (3) for the system (1) to the cabinet sides.
 Fix the full-extension runners (4) to the front edges of the cabinet sides using the cam and dowel sets provided.
 Fix the sliding profile (5) to the centre panel (1800mm and 2400mm versions only).
 Fix the system (1) to the supports (3) with the screws provided.



Extend the inner profile (3) from the telescopic runner. Attach the connection brackets (5) to the inner profiles (3) using the screws provided. Attach the door connection brackets (2) to the top of the inner profiles.

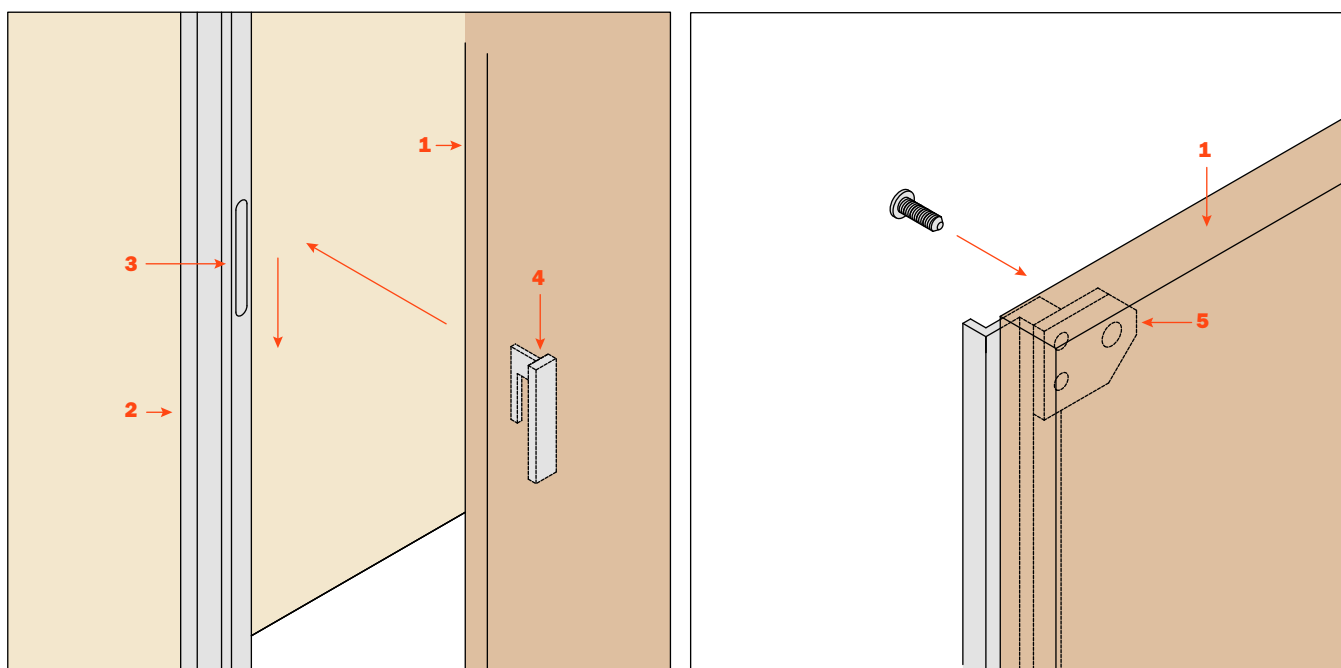


Fix the four hooks (1) to the inside of the door with the screws provided.



Hang the door onto the inner profile (2) by locating the four hooks into their respective slots and pushing the door down gently until the hooks are fully engaged.

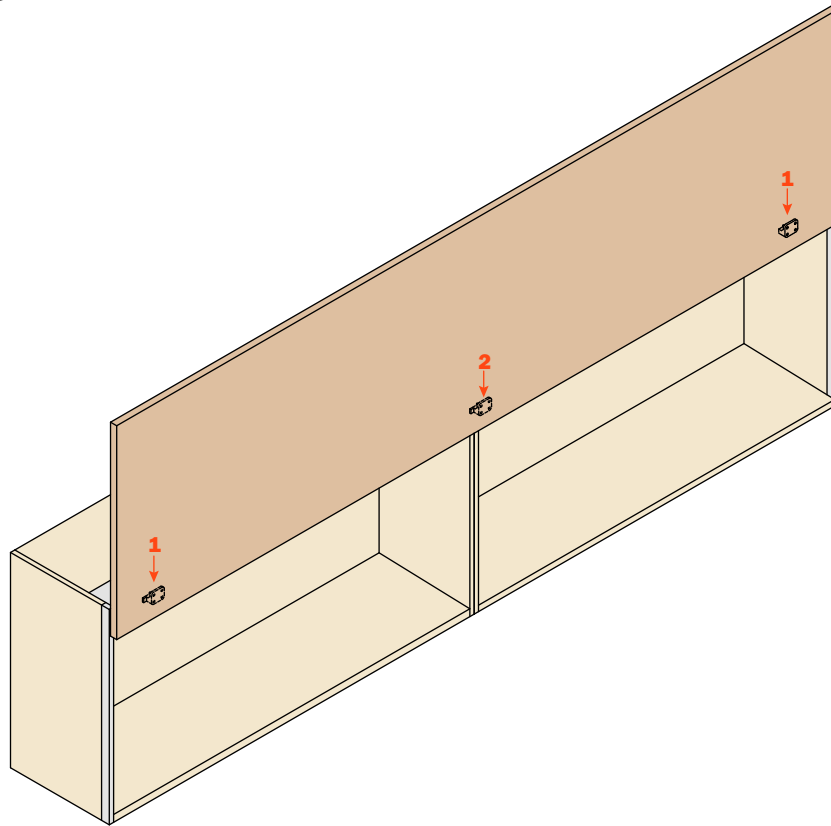
When the door is in the correct position, it can be fixed to the carrier brackets with the screws provided.



Mover - Assembly instructions and adjustments

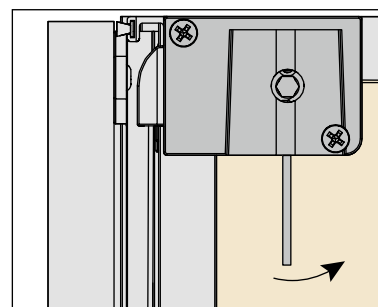
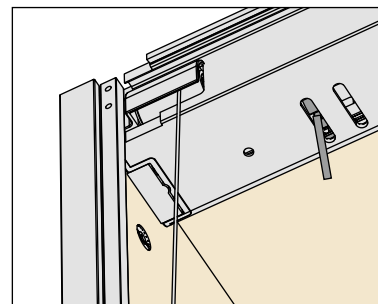
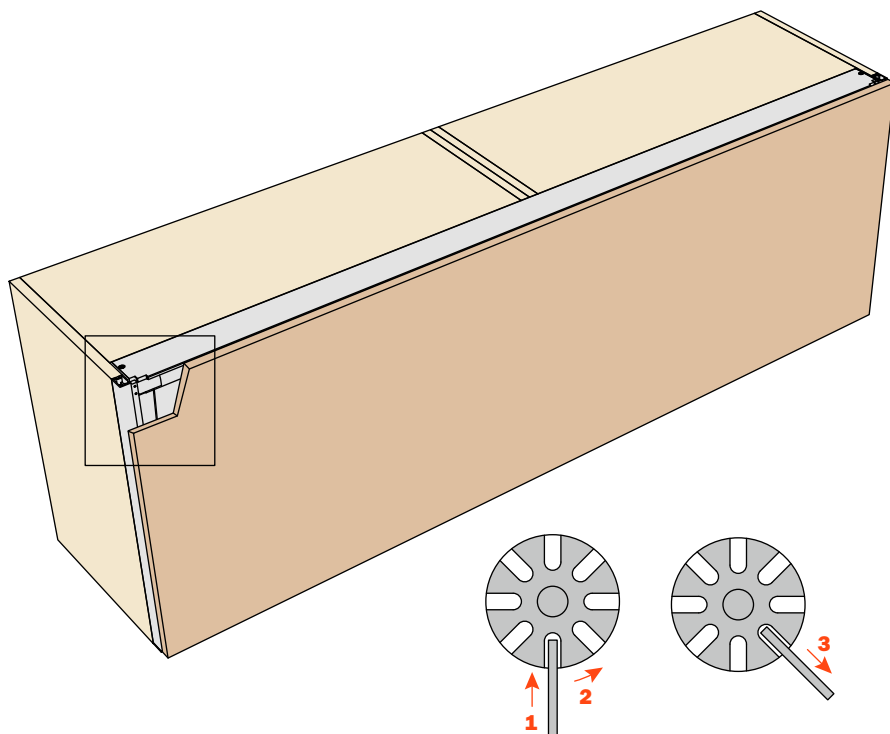
Fix the door buffer brackets (1) in position on the inside of the door with woodscrews of the appropriate length.

For the 1800mm and 2400mm width version fix the central bracket, without the buffer, locating it in the runner on the centre panel to assist the alignment of the wider doors.



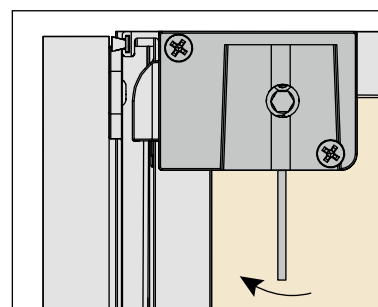
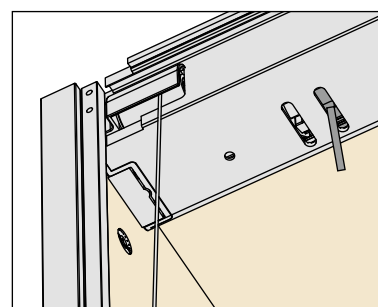
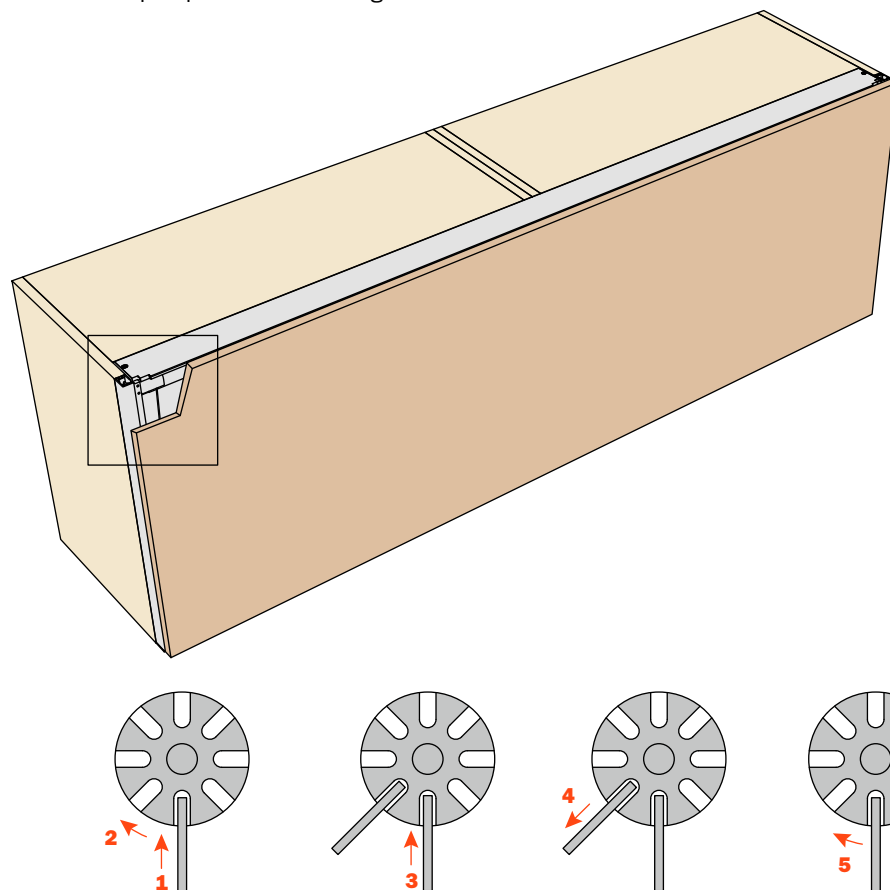
Adjustment of the door.

Door in the closed position tends to rise.



Adjustment of the door.

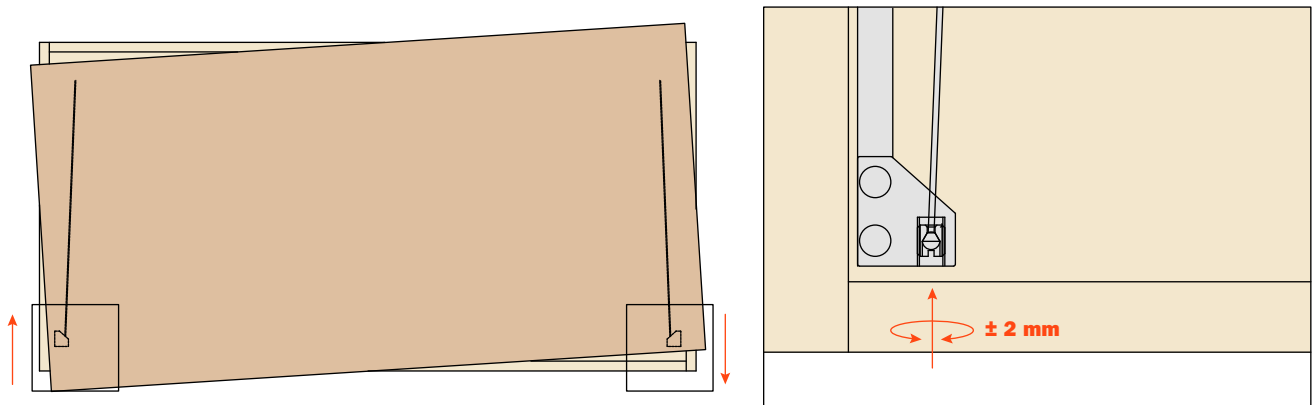
Door in the open position tends to go down.



Mover - Adjustments

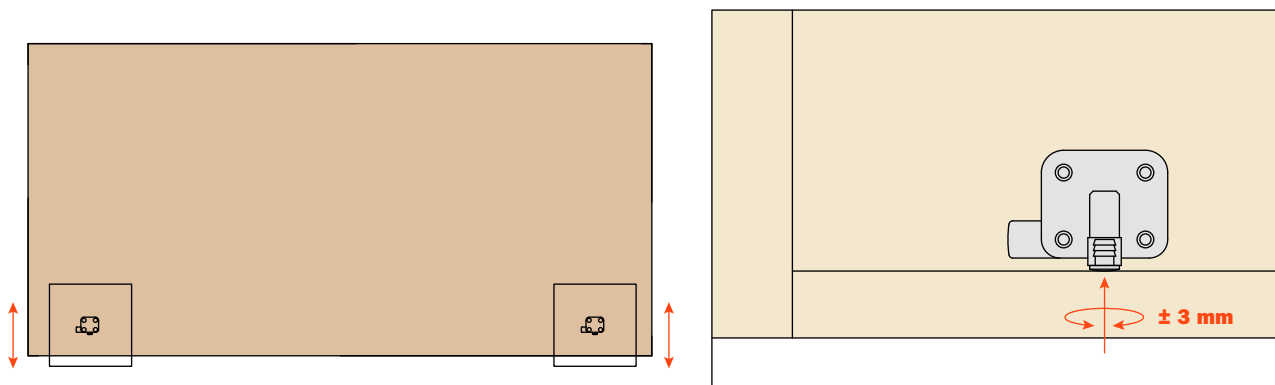
Vertical alignment of the door with the cabinet.

If the edge of the door is not parallel with the side of the cabinet, there is a difference in the length of the right and left support cables. This can be corrected using the adjusters in the door hanging brackets, within a range of ± 2 mm.

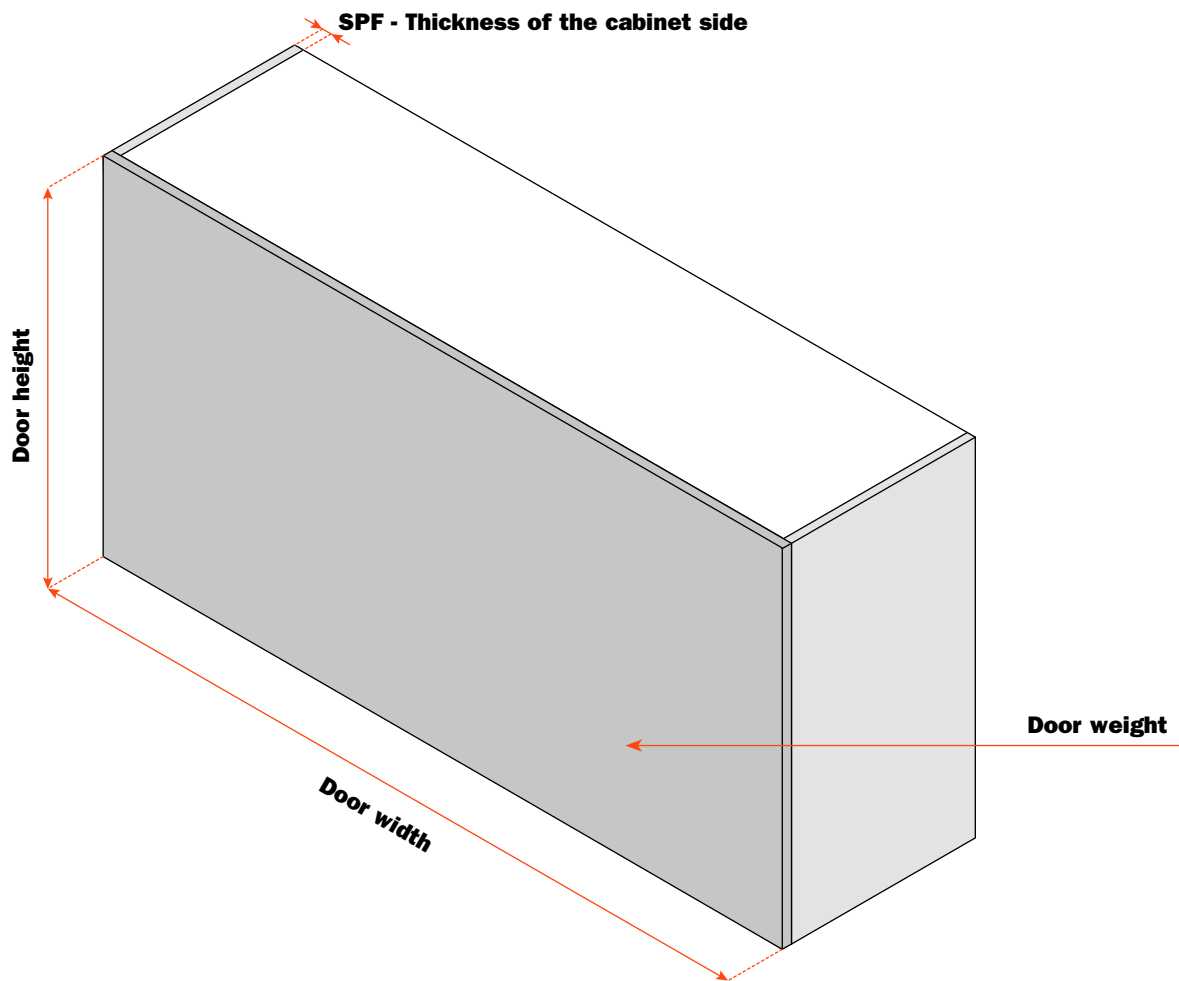


Door height adjustment.

Remove the door buffers from their brackets inside the door in order to access the height adjusters. Using a 4mm allen key, adjust the vertical position of the door, replacing the buffers when adjustment is completed.



Part number composition



Door height	Part number	Thickness of the cabinet side (mm)	Door width (mm)	Door weight (kg)
480 mm	VE2809004818	18	900	6 - 8
	VE2812004818	18	1200	7 - 9
	VE2818004818	18	1800	10 - 12
	VE2824004818	18	2400	15 - 17
	VE2809004820	19/20	900	6 - 8
	VE2812004820	19/20	1200	7 - 9
	VE2818004820	19/20	1800	10 - 12
	VE2824004820	19/20	2400	15 - 17
600 mm	VE2809006018	18	900	6 - 8
	VE2812006018	18	1200	10 - 12
	VE2818006018	18	1800	15 - 17
	VE2824006018	18	2400	21 - 23
	VE2809006020	19/20	900	6 - 8
	VE2812006020	19/20	1200	10 - 12
	VE2818006020	19/20	1800	15 - 17
	VE2824006020	19/20	2400	21 - 23



Mover Flat

Mover Flat



The simplicity and the elegance of a downward sliding door together with the functional performances of an innovative and versatile system.

Mover Flat creates concealable spaces on bookcases, office furniture, kitchen cabinets, and anywhere you want the convenience of a space that can be elegantly hidden behind a sliding panel.

The compactness of the mechanism, which moves on vertical runners, fits perfectly with applications, especially in restricted spaces, where the conventionally-opening doors would be unworkable.

The mechanism, with adjustable load capacity, can be used with doors heights from 480 to 628 mm and a width up to 2400 mm, in its larger version.

The movement on silent runners is smooth and perfectly controlled in any situation.

Mover Flat is a versatile and practical system, takes up a minimum of valuable storage space, and therefore it can be used in both small and large cabinets.



Mover Flat



Technical information

Vertical downward sliding system.

Door dimensions:

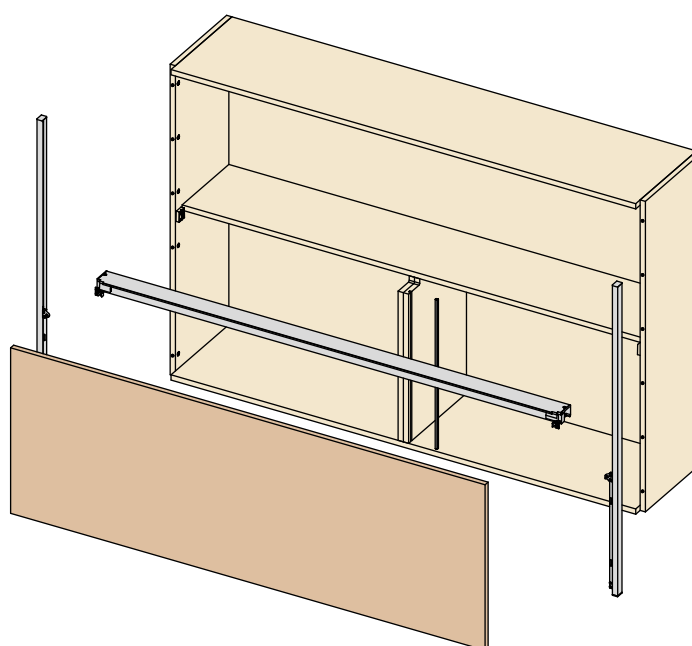
- width 900, 1200, 1800 and 2400 mm;
- height from 480 to 628 mm.

Thickness of the cabinet side:

- 18 and 19/20 mm.

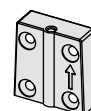
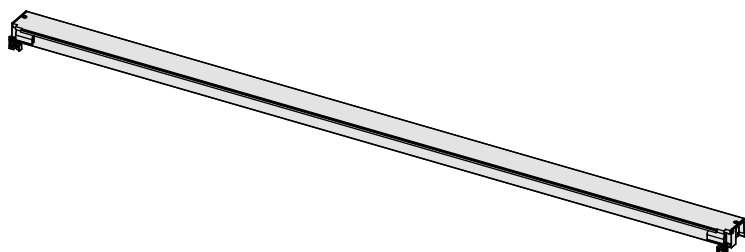
Adjustment:

- height adjustment ± 3 mm.



Components of the system

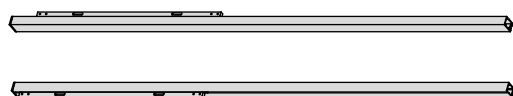
Horizontal supporting profile.



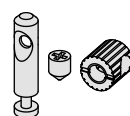
Fixing supports for the profile.



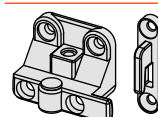
Pair of runners to cut to length.



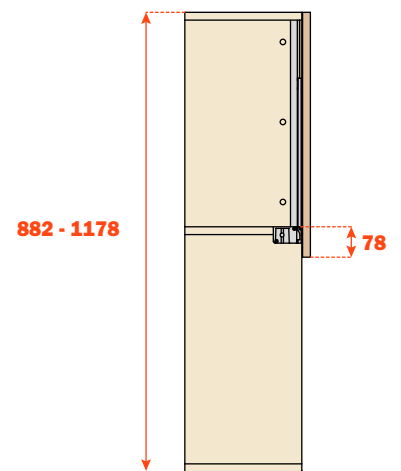
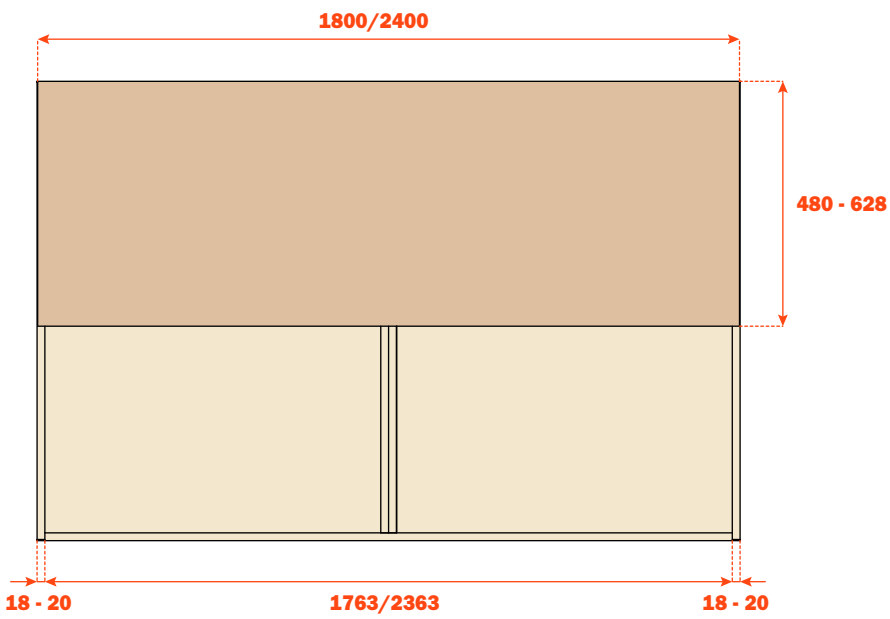
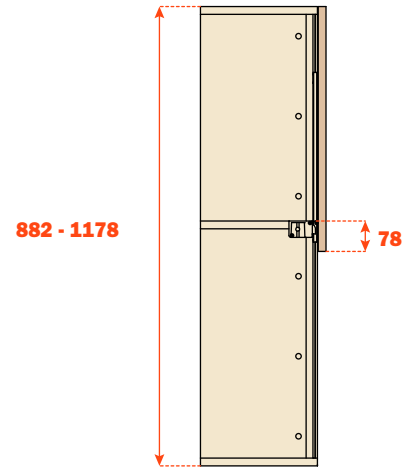
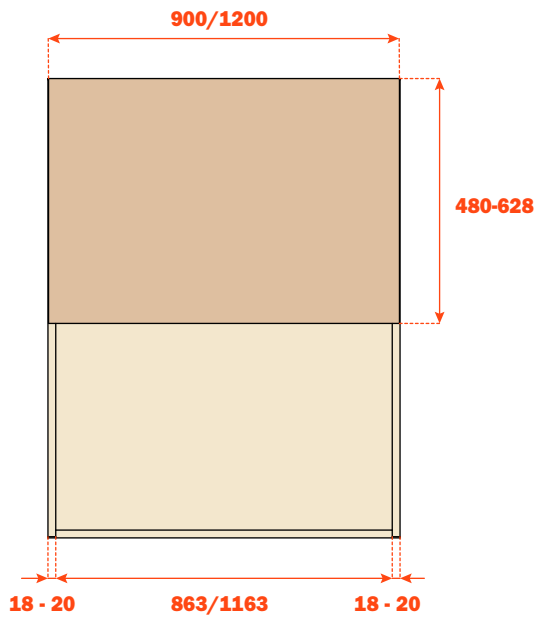
Tie-rods and cams to fix the runners.



Sliding profile for central panel.
Required only for versions with doors of 1800mm and 2400mm width.

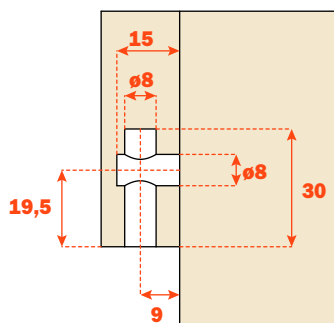
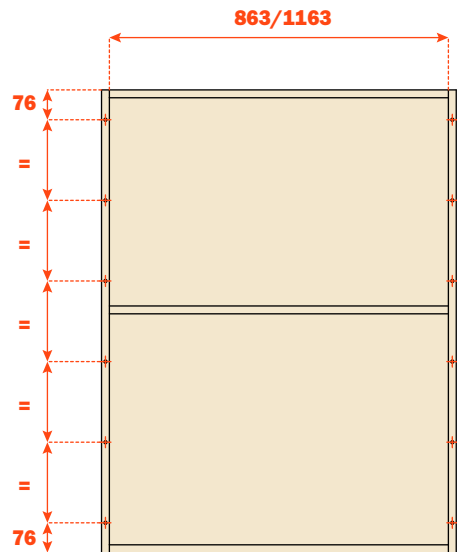
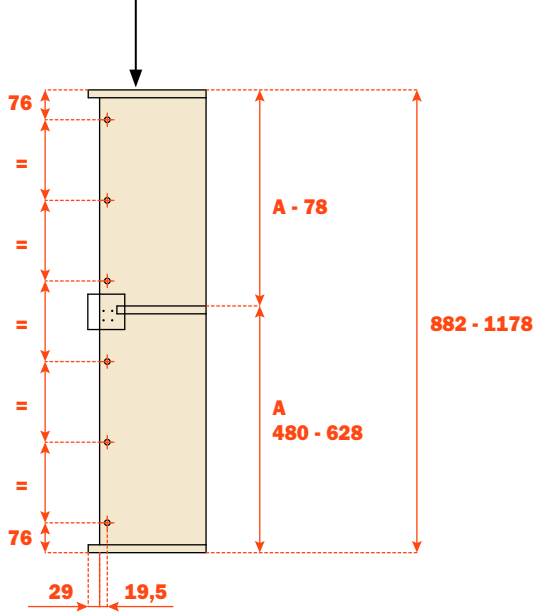
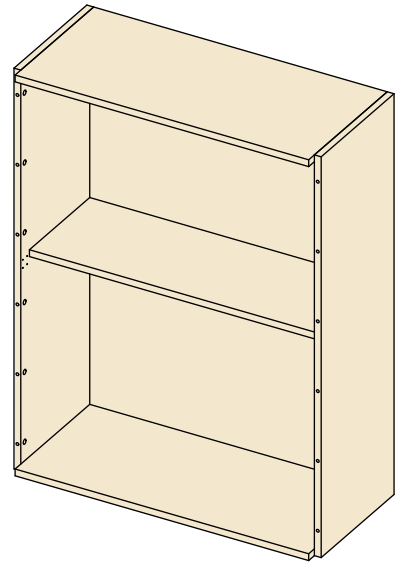
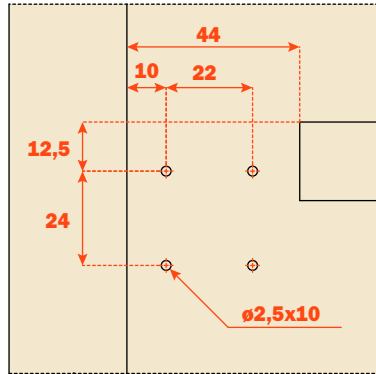


Bumpers.
Hooks to mount the door onto the system.

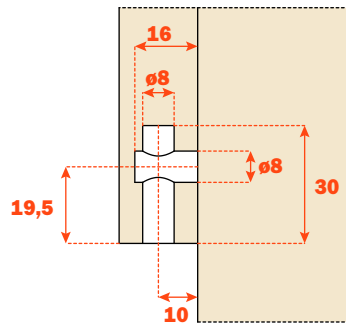


Mover Flat - Cabinet drilling

Side panel drilling required for the system

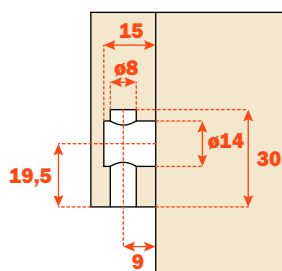
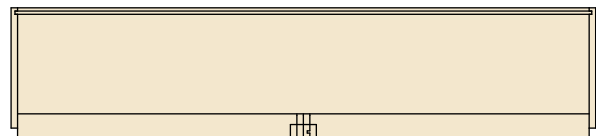
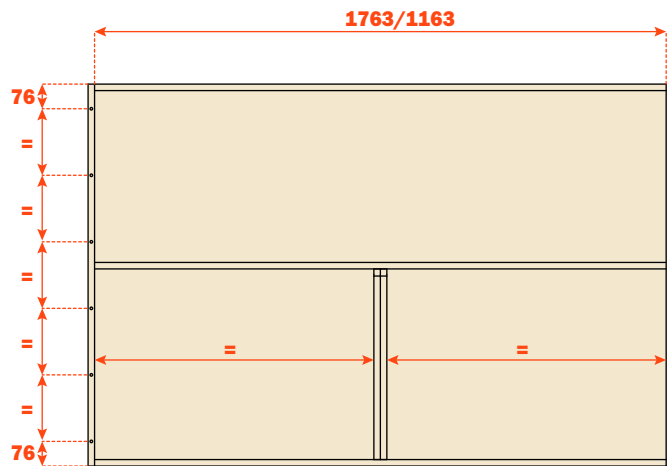
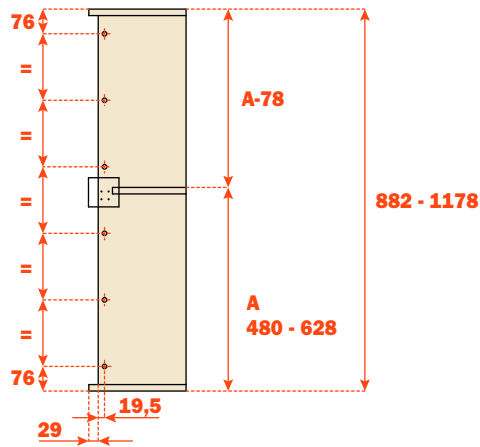
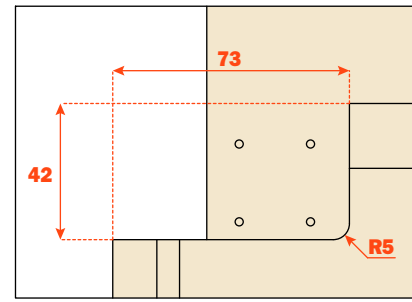
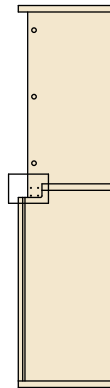
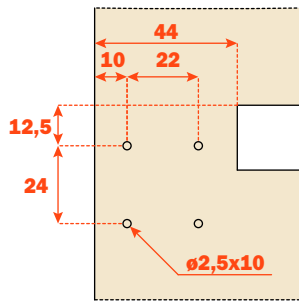


Side panel drilling to fix the runners - 18 mm wall thickness

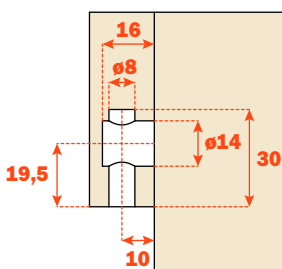


Side panel drilling to fix the runners - 19/20 mm wall thickness

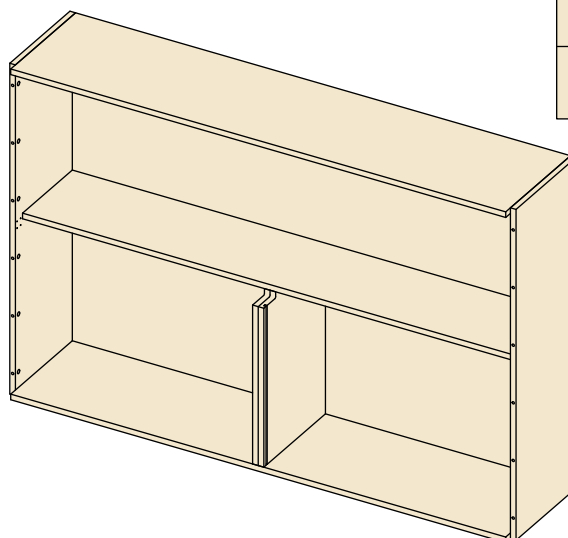
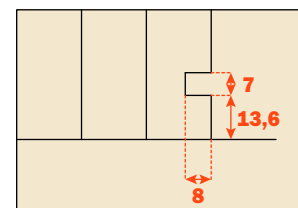
Door drilling



Side panel drilling to fix the runners - 18 mm wall thickness



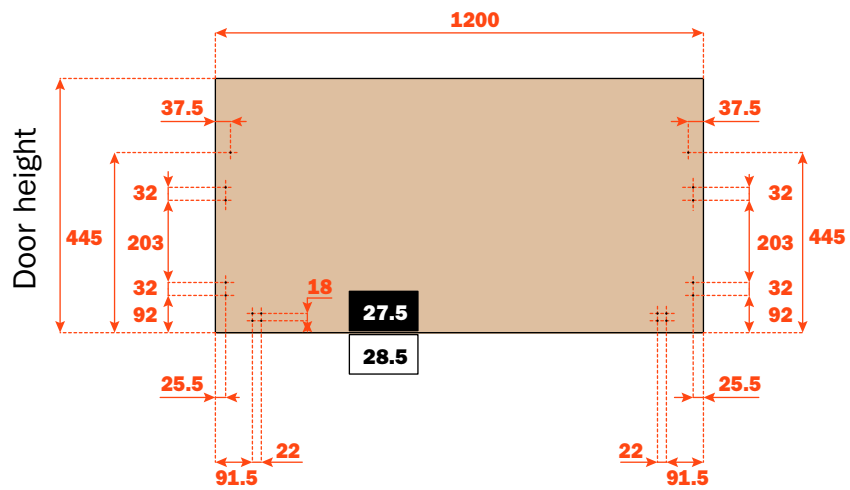
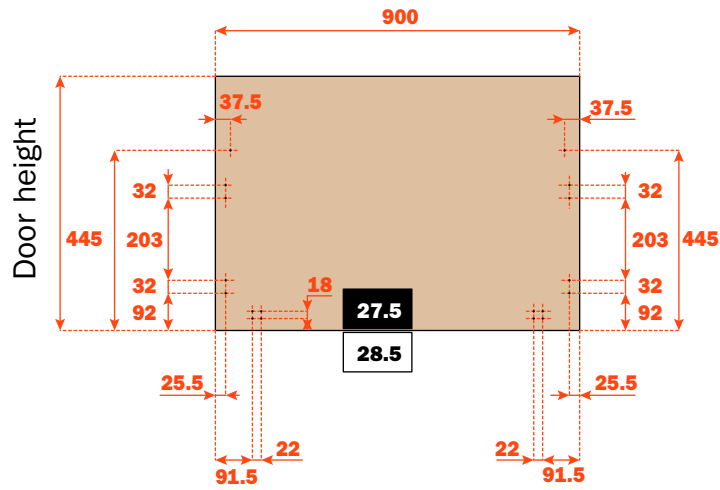
Side panel drilling to fix the runners - 19/20 mm wall thickness



Mover Flat - Door drilling

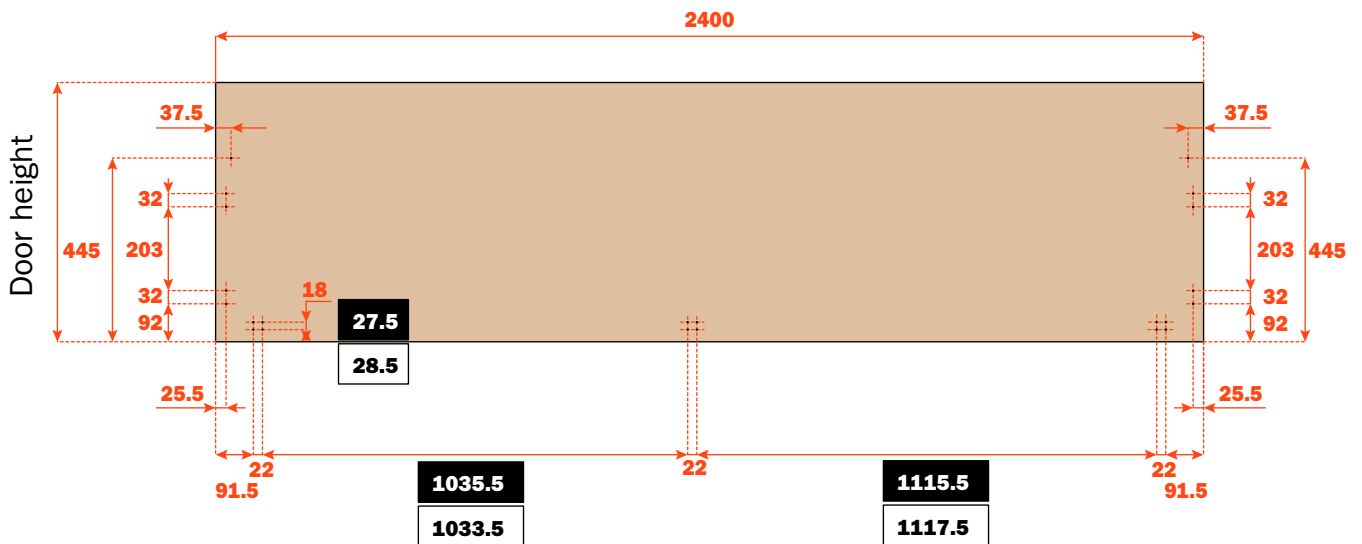
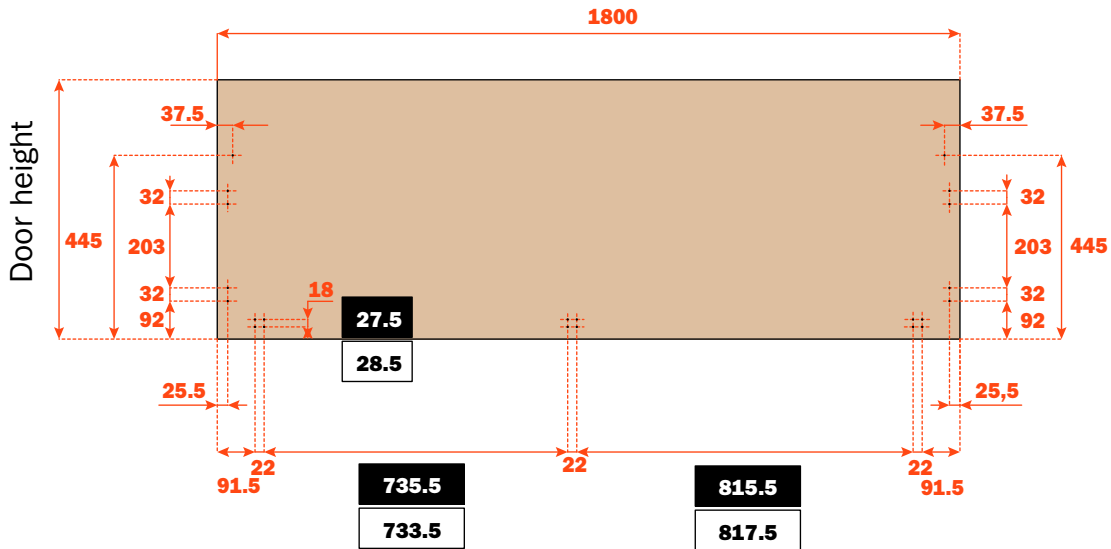
Drilling patterns with sides 18 mm

Drilling patterns with sides 19/20 mm



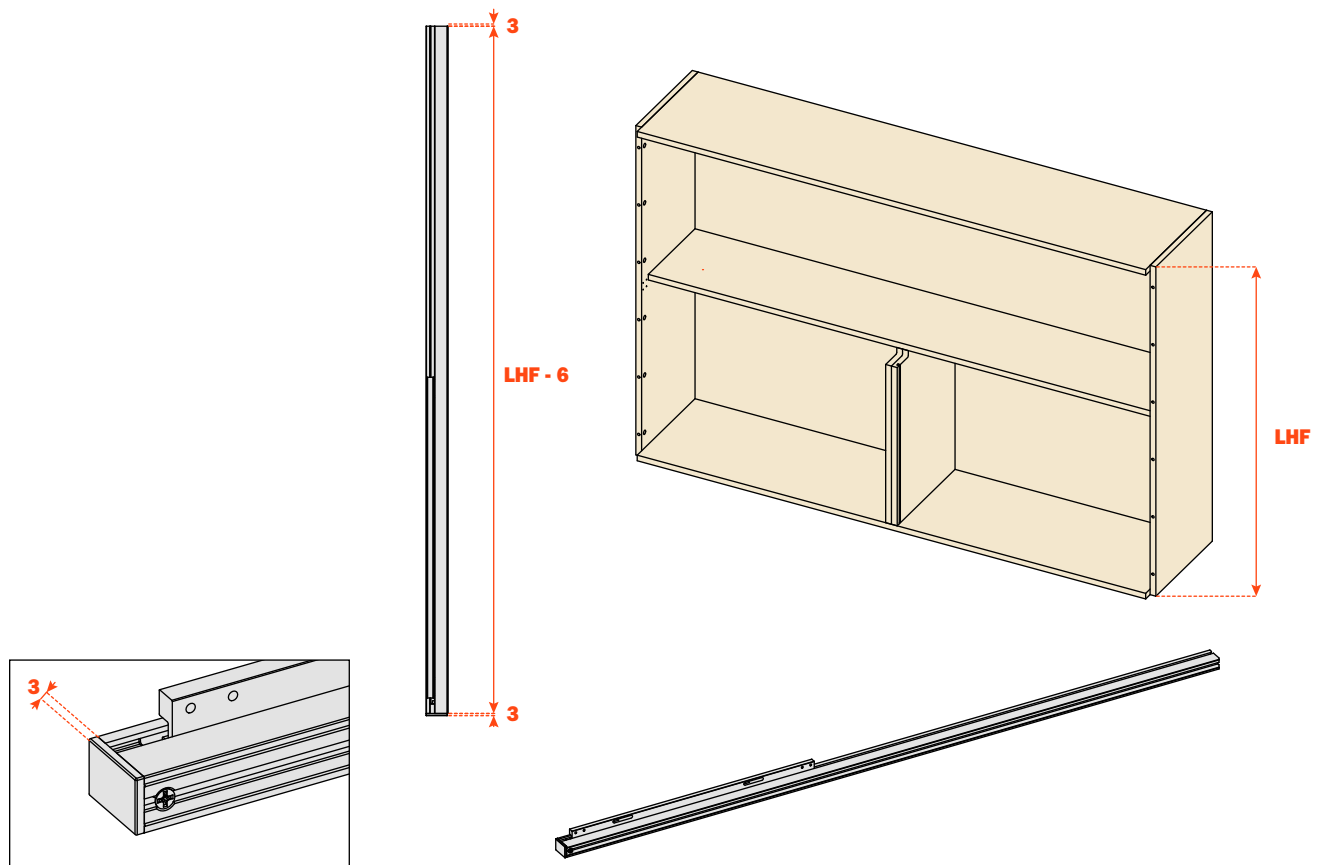
Drilling patterns with sides 18 mm

Drilling patterns with sides 19/20 mm

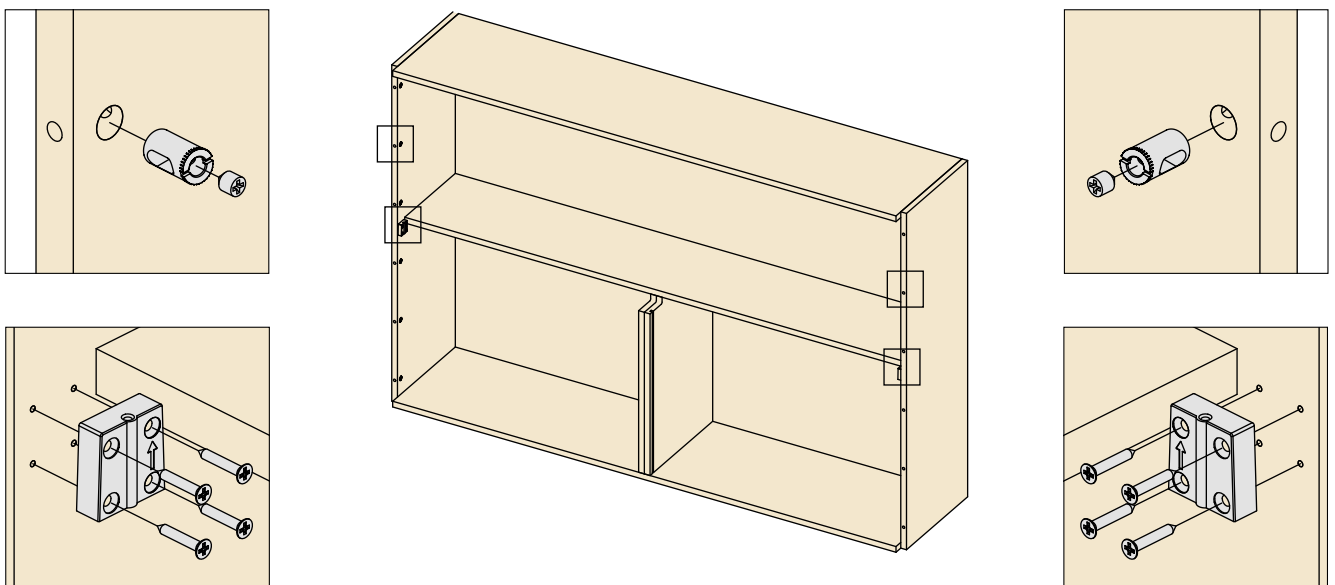


Mover Flat - Assembly instructions

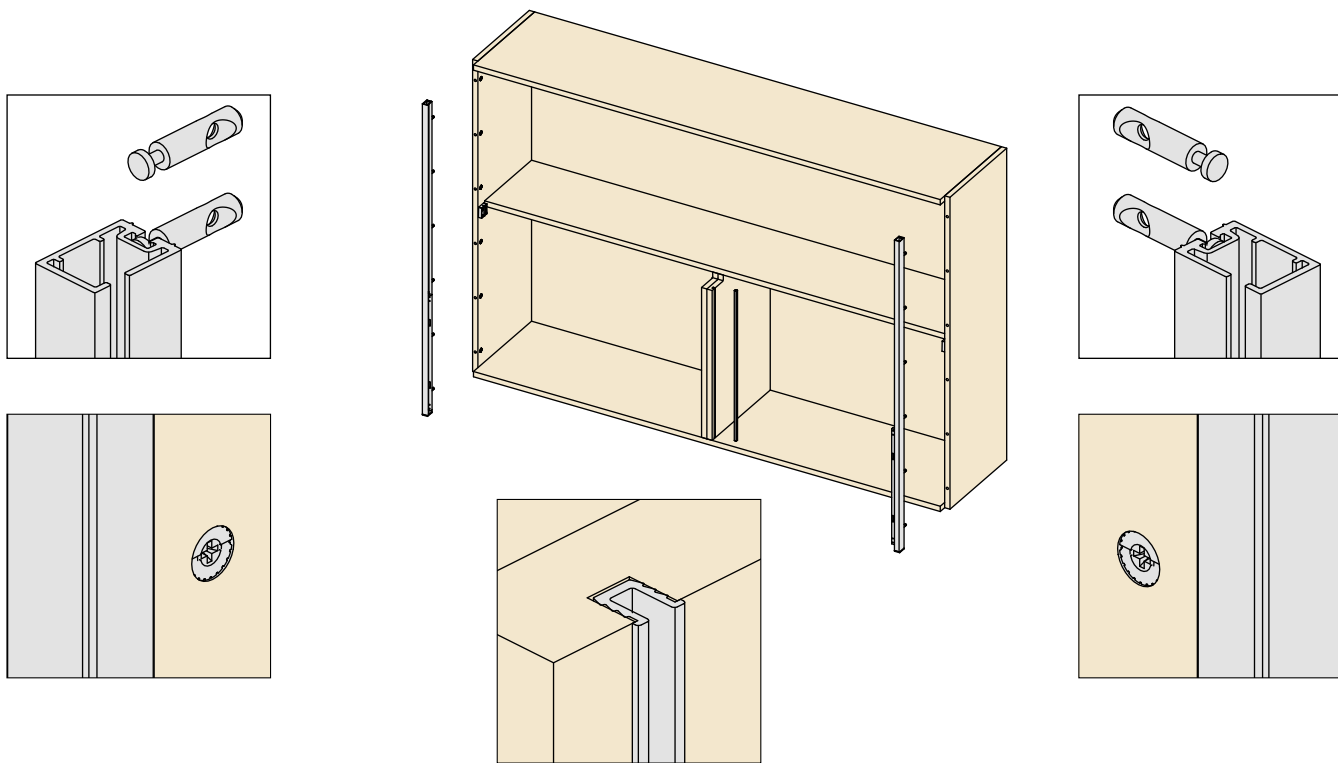
Cut the runners to length, on the side where the cap is not applied.



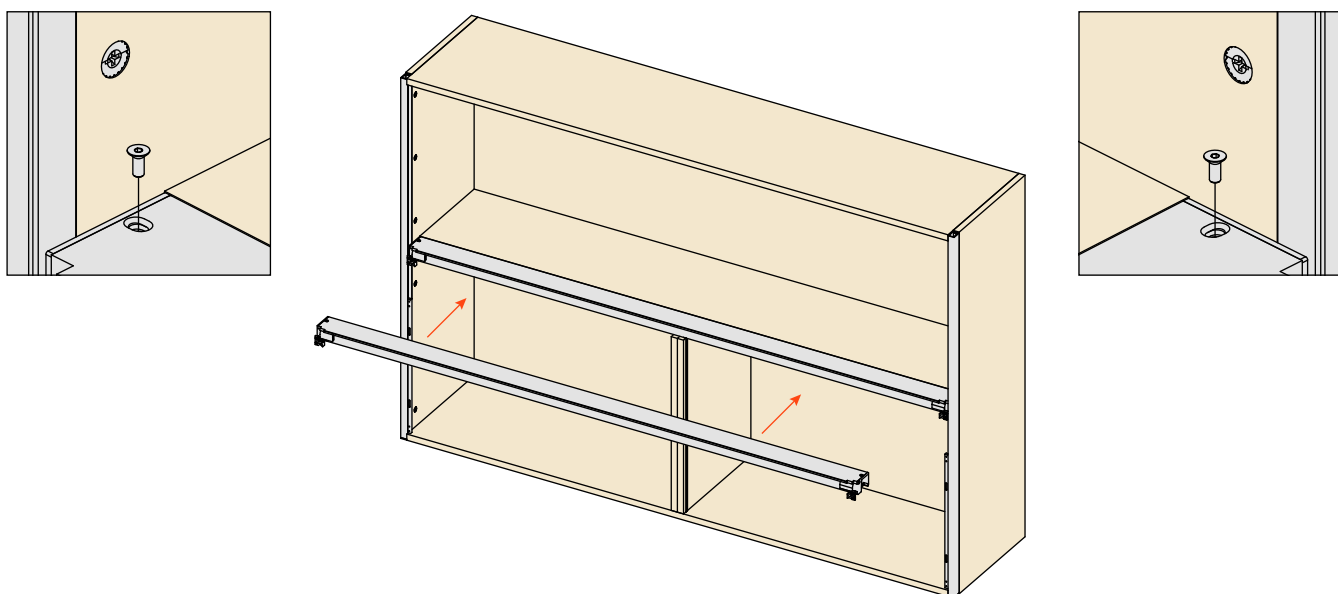
Fix the supports for the system to the cabinet sides and fix the provided cam sets.



Insert the tie rods into the runners and fix them to the cabinet sides through the previously fixed cams.
Fix the sliding profile to the centre panel (1800mm and 2400mm versions only).



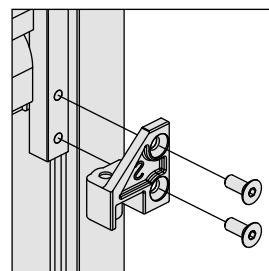
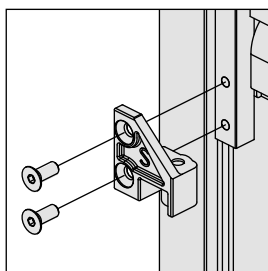
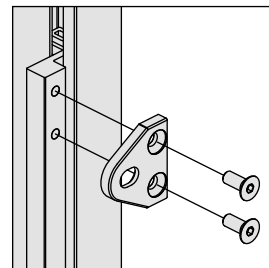
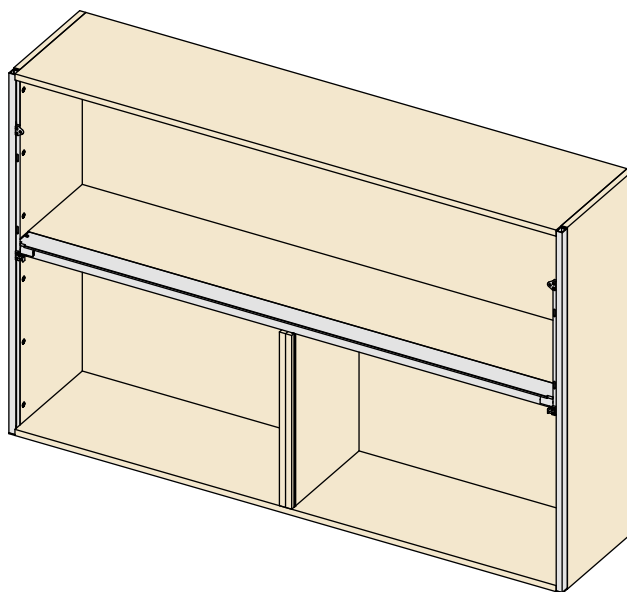
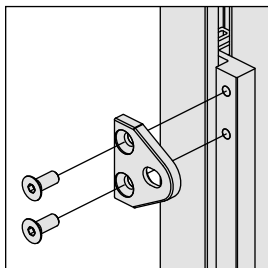
Fix the system to the supports with the screws provided.



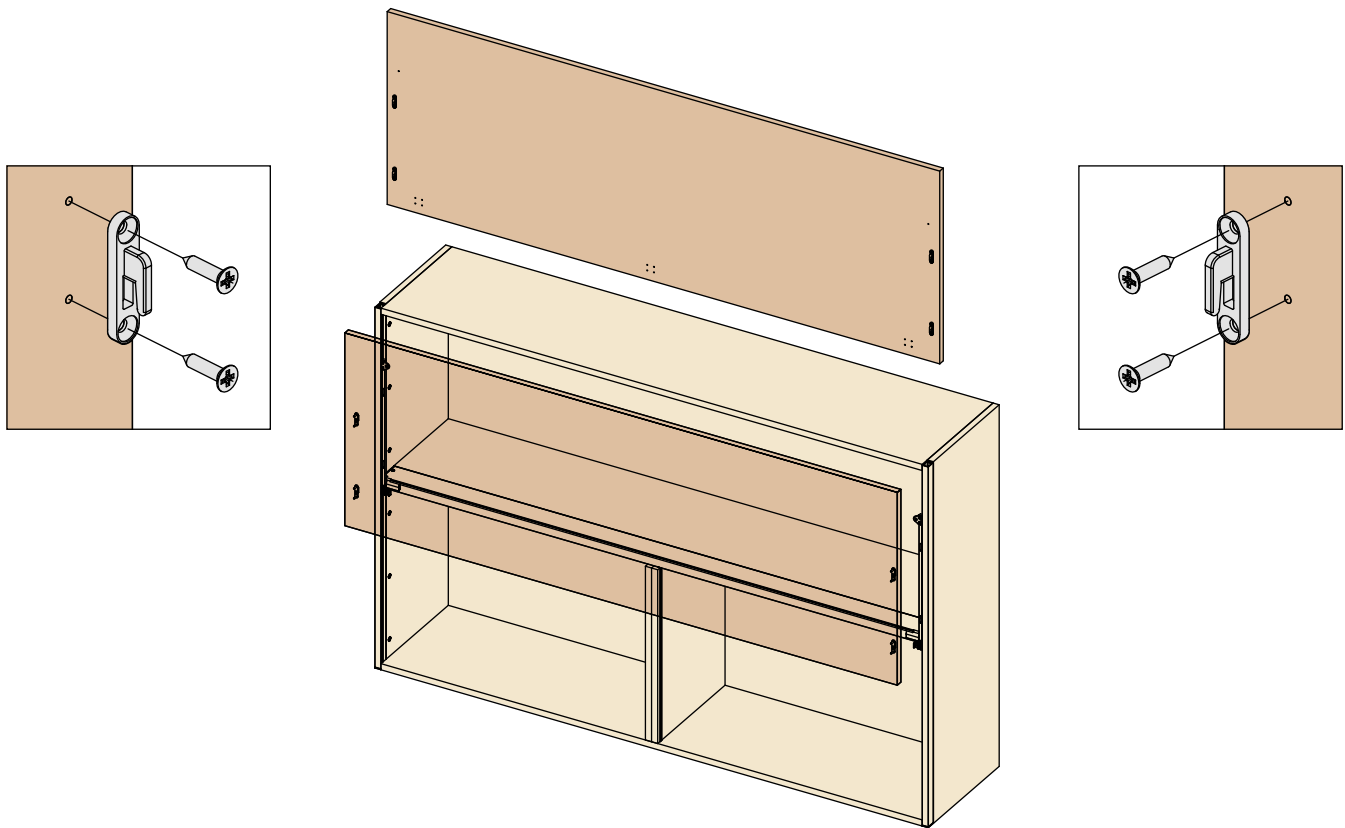
Mover Flat - Assembly instructions

Attach the connection brackets to the sliding profiles using the screws provided.

Attach the door connection brackets to the top of the sliding profiles using the screws provided.

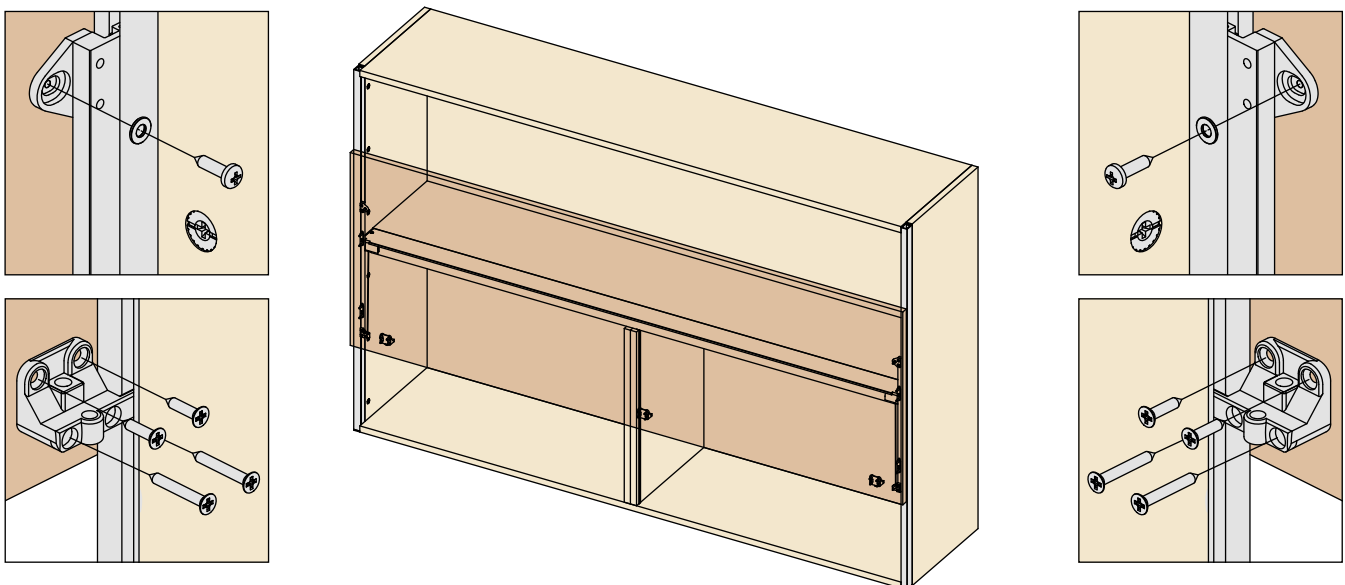


Fix the four hooks to the inside of the door with the woodscrews of the appropriate length. Hang the door onto the inner profile by locating the four hooks into their respective slots.



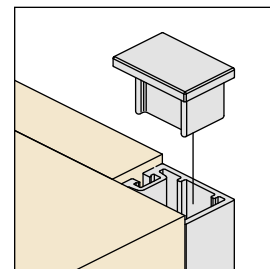
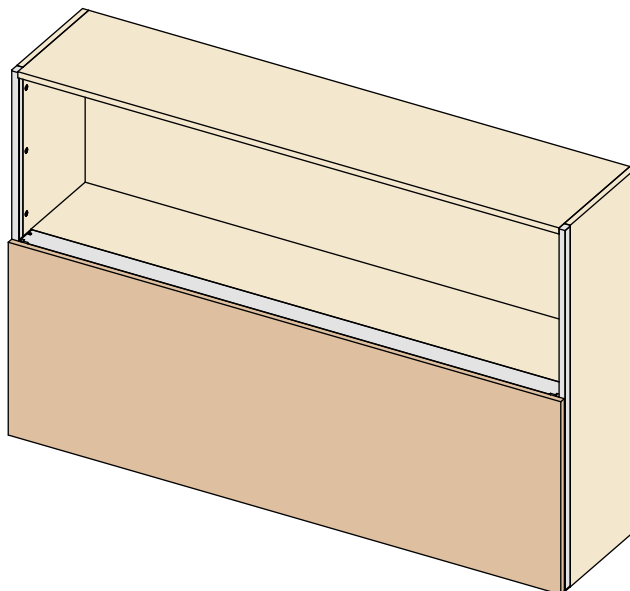
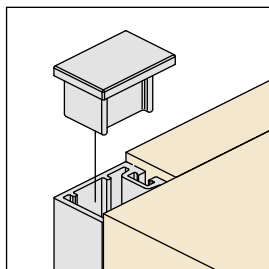
Push the door down gently until the hooks are fully engaged. When the door is in the correct position, it can be fixed to the carrier brackets with the screws provided.

Fix the door buffer brackets in position on the inside of the door with woodscrews of the appropriate length. For the 1800mm and 2400mm width version fix the central bracket, without the buffer, locating it in the runner on the centre panel to assist the alignment of the wider doors.

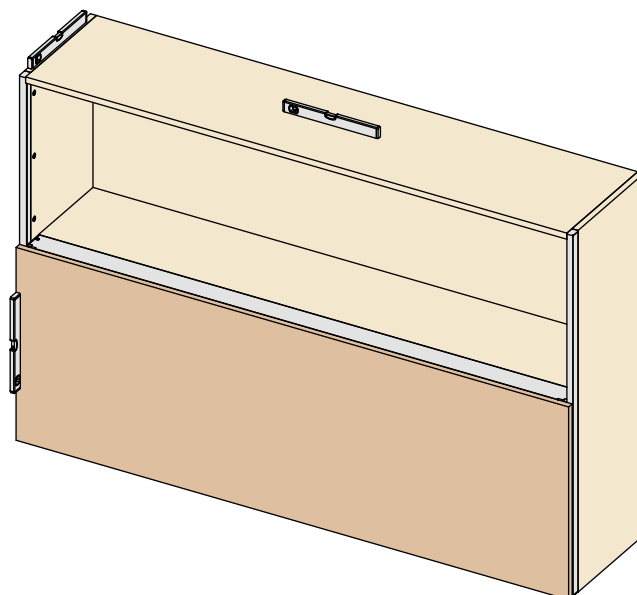


Mover Flat - Assembly instructions

Insert the caps into the upper parts of the runners.



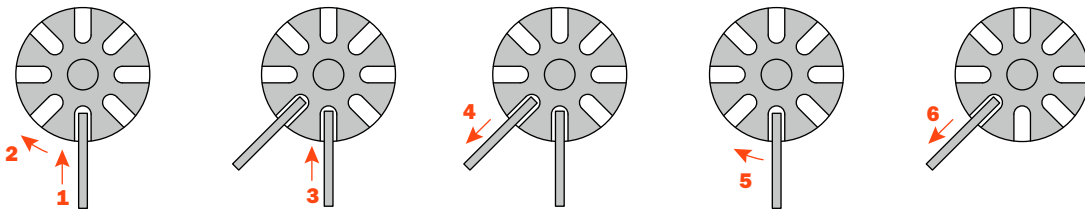
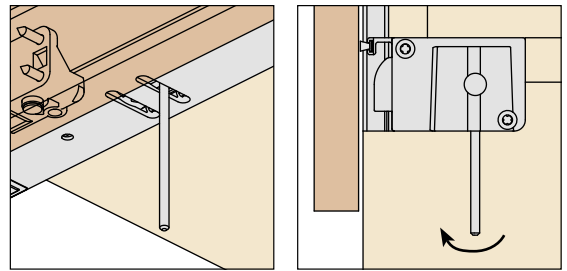
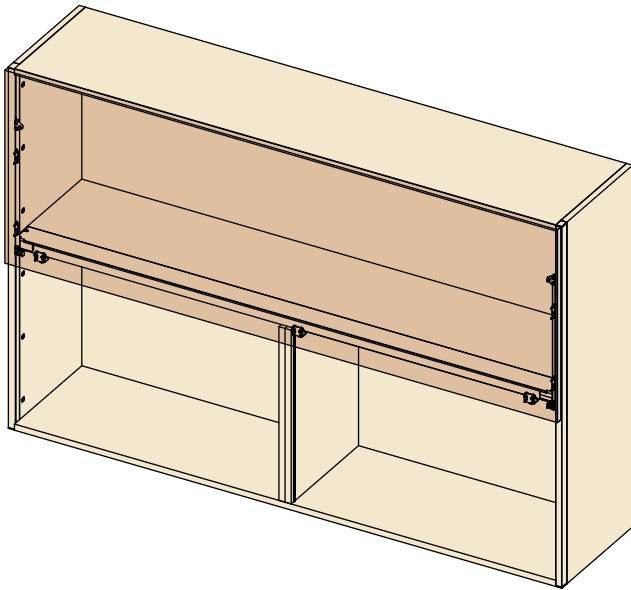
Check the cabinet with a spirit level.



Adjustments

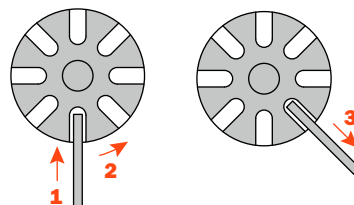
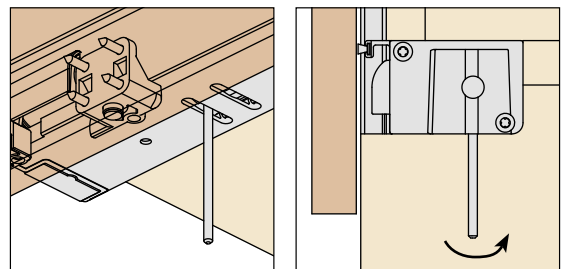
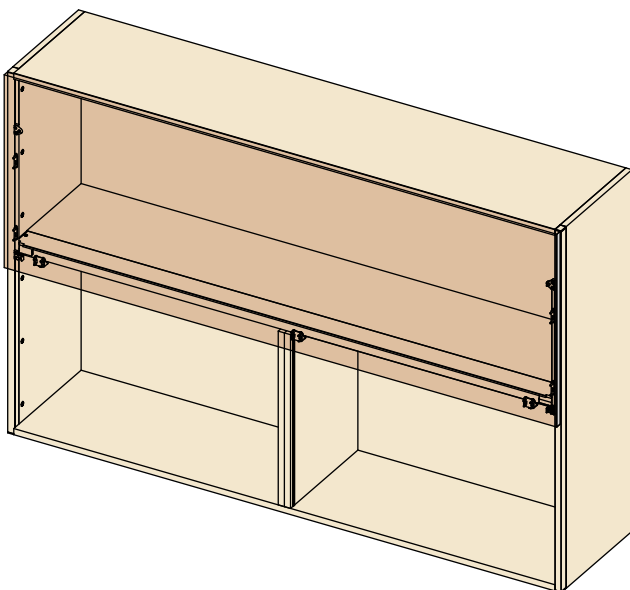
Adjustment of the door.

Door in the open position tends to go down.



Adjustment of the door.

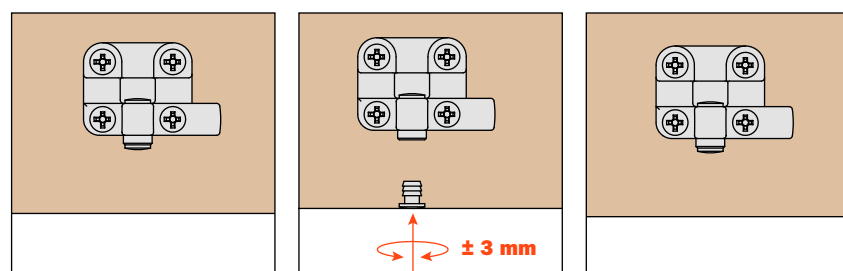
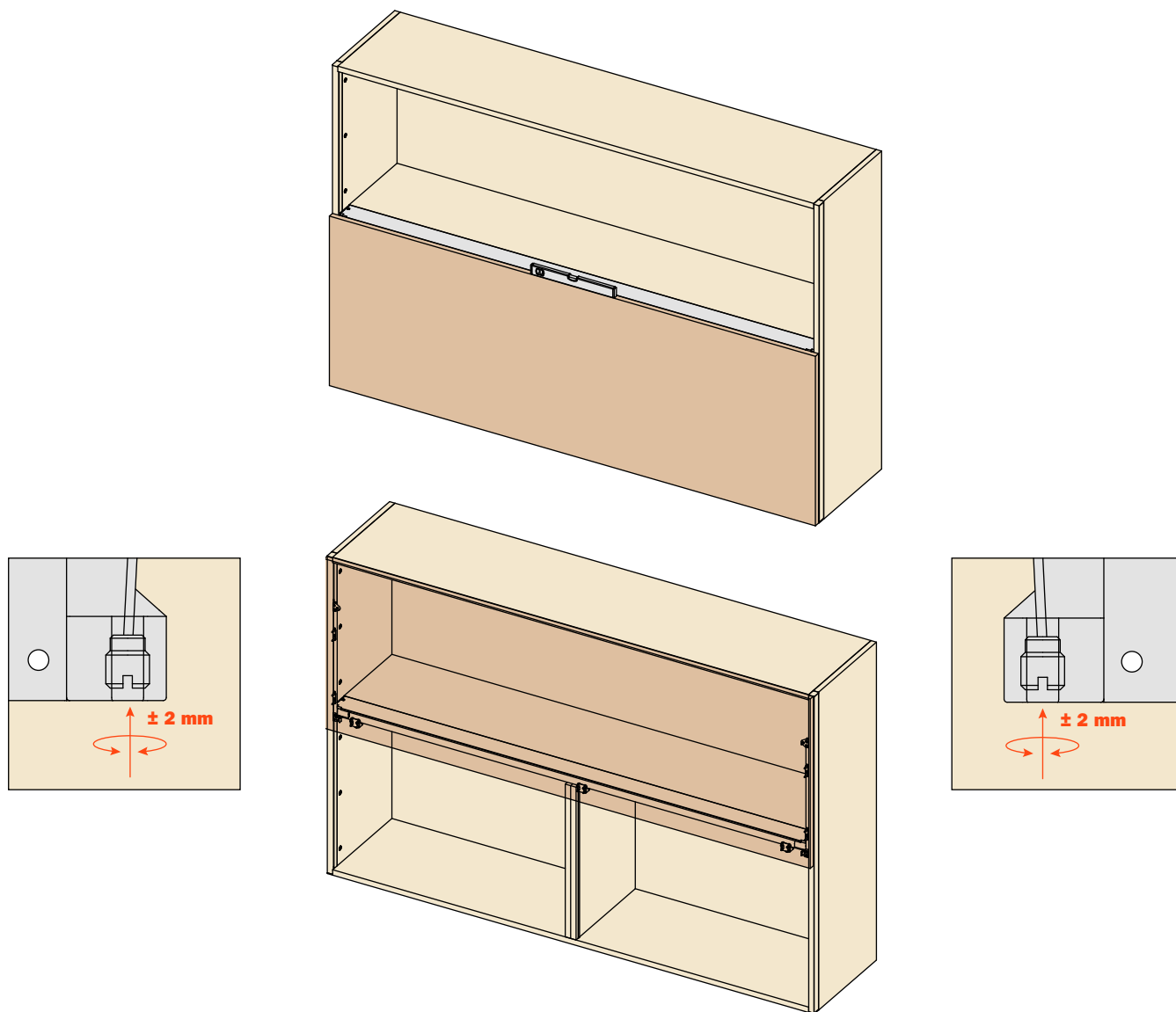
Door in the closed position tends to rise.



Mover Flat - Adjustments

Vertical alignment of the door with the cabinet.

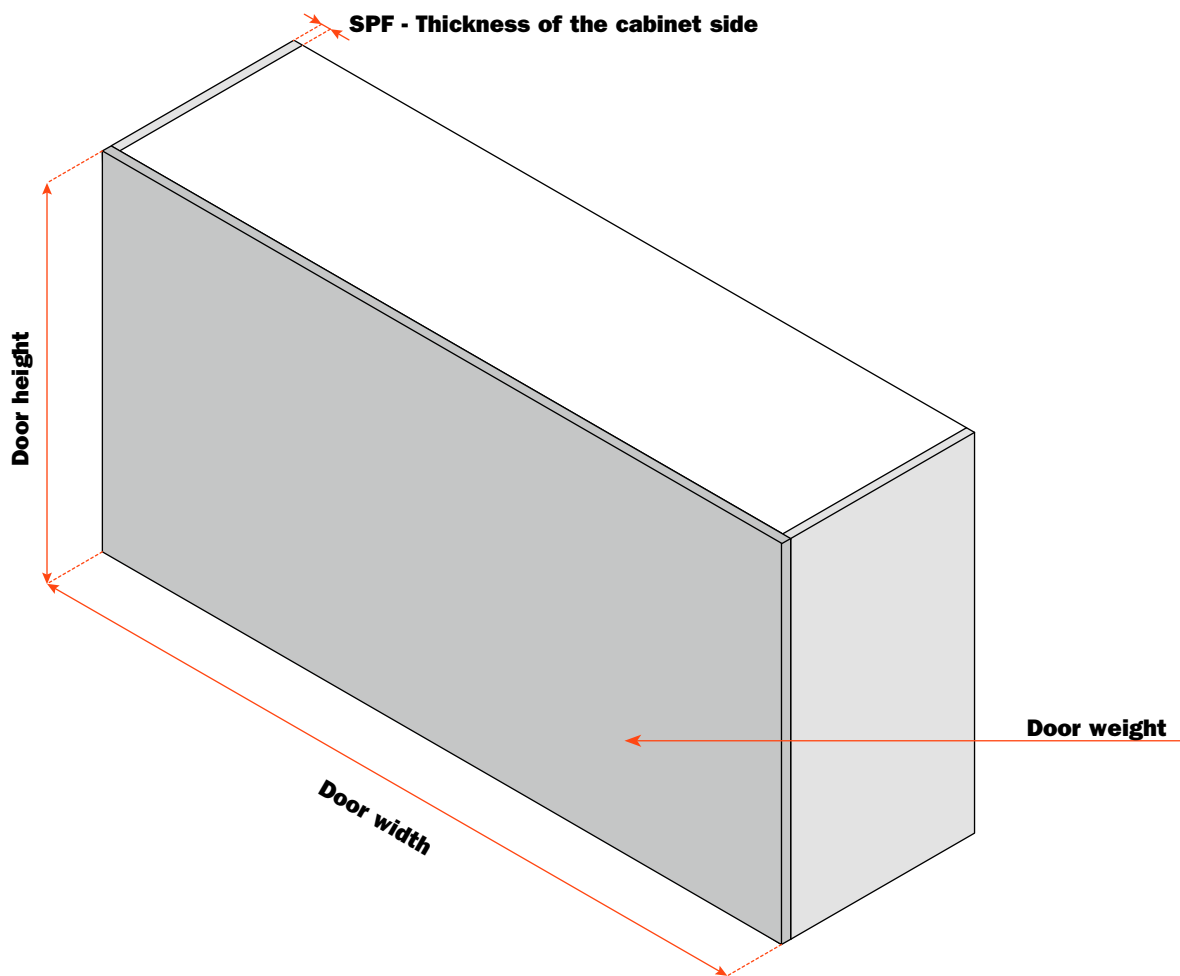
If the edge of the door is not parallel with the side of the cabinet, there is a difference in the length of the right and left support cables. This can be corrected using the adjusters in the door hanging brackets, within a range of +/- 2mm.



Door height adjustment.

Remove the door buffers from their brackets inside the door in order to access the height adjusters. Using a 4mm allen key, adjust the vertical position of the door, replacing the buffers when adjustment is completed.

Part number composition



Part number	Thickness of the cabinet side (mm)	Door width (mm)	Door weight (kg)
VE28MFL090018A1	18	900	6 - 8
VE28MFL120018A1	18	1200	10 - 12
VE28MFL180018A1	18	1800	15 - 17
VE28MFL240018A1	18	2400	21 - 23

Part number	Thickness of the cabinet side (mm)	Door width (mm)	Door weight (kg)
VE28MFL090020A1	19/20	900	6 - 8
VE28MFL120020A1	19/20	1200	10 - 12
VE28MFL180020A1	19/20	1800	15 - 17
VE28MFL240020A1	19/20	2400	21 - 23

HEADQUARTERS AND PRODUCTION UNITS

ARTURO SALICE S.p.A.

HEAD OFFICE

VIA PROVINCIALE NOVEDRATESE, 10
22060 NOVEDRATE (COMO) ITALIA
TEL. 031 790424 - FAX 031 791508
info.salice@salice.com
www.salice.com

ARTURO SALICE S.p.A.

VIA ARISTIDE MERLONI, 11
61036 COLLI AL METAURO (PU) ITALIA
TEL. 0721 899800
FAX 0721 897980
info.salice@salice.com
www.salice.com

BORTOLUZZI SISTEMI S.p.A.

VIA CADUTI 14 SETTEMBRE 1944, 45
32100 BELLUNO (BL) ITALIA
TEL. 0437 930866
FAX 0437 931442
info@bortoluzzi.com
www.salice.com

NUOVA ATIM S.r.l.

VIA IV NOVEMBRE, 52
20019 SETTIMO MILANESE (MI) ITALIA
TEL. 02 33503203
FAX 02 33516514
info@atimspa.com
www.atimspa.com

BRANCHES

DEUTSCHE SALICE GMBH

RUDOLF DIESEL STR. 10
74382 NECKARWESTHEIM
TEL. 07133 9807-0
FAX. 07133 9807-16
info.salice@deutschesalice.de
www.salice.com

DEUTSCHE SALICE GMBH

VERKAUFSBÜRO NORD
RINGSTRASSE 36/A30 CENTER
32584 LÖHNE
TEL. 05731 15608-0
FAX. 05731 15608-10
vknord@deutschesalice.de
www.salice.com

SALICE UK LTD.

KINGFISHER WAY
HINCHINGBROOKE BUSINESS PARK
HUNTINGDON CAMBS PE 29 6FN
TEL. 01480 413831
FAX. 01480 451489
info.salice@saliceuk.co.uk
www.salice.com

SALICE FRANCE S.A.R.L.

285 RUE DE GOA ZAC LES 3 MOULINS
06600 ANTIBES
TEL. 0493 330069
FAX. 0493 330141
info.salice@salicefrance.com
www.salice.com

SALICE ESPAÑA, S.L.U.

C/ AIGUAFREDA 4, P.I. AMETLLA PARK
08480 L'AMETLLA DEL VALLÈS (BARCELONA)
TEL. 0034 938 46 88 61
info.salice@saliceespana.es
www.salice.com

SALICE PORTUGAL UNIP. LDA

SHOWROOM:
TV SÁ E MELO 161 FA
4470-116 MAIA - PORTO
TEL: 00351 224 154 221
Info@saliceportugal.pt
www.salice.com

ARMAZÉM:
VIA ROTA DOS MÓVEIS I 399
4585-325 GANDRA

SALICE CHINA (SHANGHAI) CO. LTD.

RM 602, 6/F, TOWER 1,
3688 YINGGANG DONG ROAD
QINGPU DISTRICT
201703 SHANGHAI, CHINA
TEL. 021 3988-9880
info.salice@salicechina.com
www.salicechina.com

SALICE INDIA PVT. LTD.

1001 & 1002, 10TH FLOOR,
CENTRUM, PLOT NO. C-3,
OPP. WAGLE PRABHAG SAMITI OFFICE,
MIDC AREA, WAGLE INDUSTRIAL ESTATE,
THANE - 400604, MAHARASHTRA
TEL. 022 20812050
info@saliceindia.com
www.salice.com

SALICE CANADA INC.

3500 RIDGEWAY DRIVE,
UNIT#1
MISSISSAUGA, ONTARIO, L5L 0B4
TEL. 905 820 8787
FAX. 905 820 7226
info.salice@salicecanada.com
www.salicecanada.com

SALICE AMERICA INC.

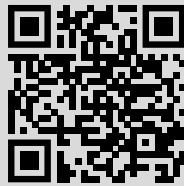
2123 CROWN CENTRE DRIVE
CHARLOTTE NC. 28227
TEL. 704 841 7810
FAX. 704 841 7808
info.salice@saliceamerica.com
www.saliceamerica.com

ARTURO SALICE S.p.A.

HEAD OFFICE

VIA PROVINCIALE NOVEDRATESE, 10
22060 NOVEDRATE (COMO) ITALIA
TEL. 031 790424 - FAX 031 791508

info.salice@salice.com
www.salice.com



Digital contents

DOCASS007ENG Ed. 07 - 05/2025

