



**Exedra**

***SALICE***

## Exedra

### Pocket door system with cam-assisted door extraction and cushioned door insertion.

#### Doors characteristics

Max. weight for each door: 30 kg (distributed evenly) or 40 kg for doors with 5 hinges and max. width 750 mm.

Thickness from 18 mm to 30 mm.

Width from 370 mm to 900 mm.

Height from 1575 mm to 2500 mm as standard.

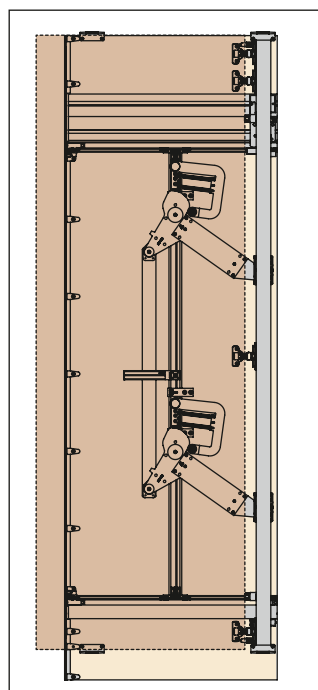
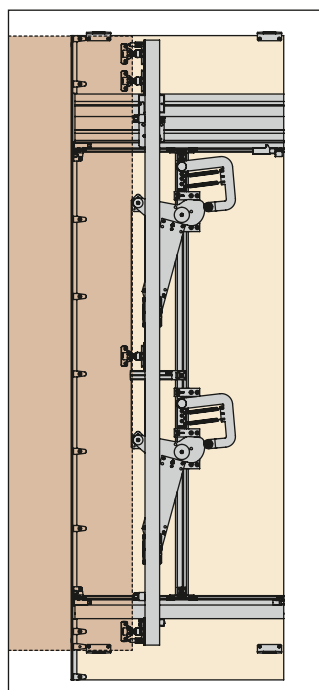
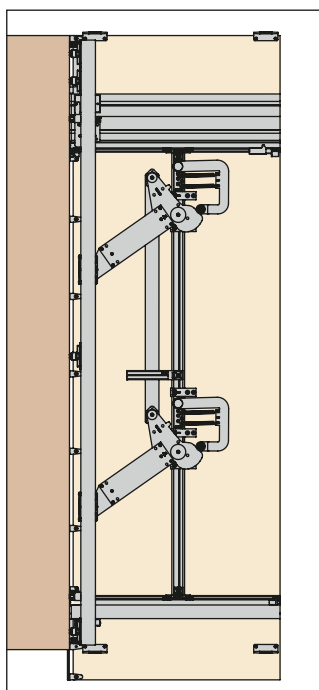
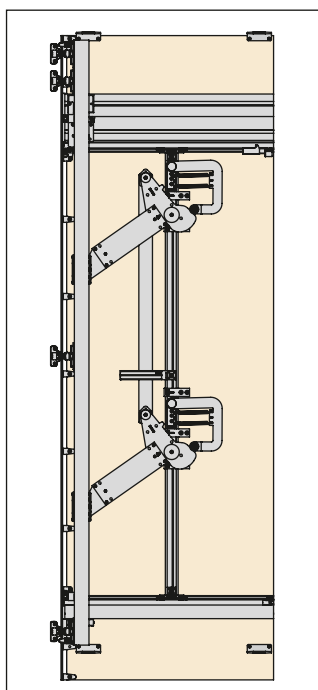
Height from 1303 mm to 1574 mm and from 2501 mm to 2800 mm can be considered after discussion and verification from our technical support department.

Door adjustment:

- vertical adjustment  $+4/-1$  mm;
- horizontal adjustment  $\pm 2$  mm;
- front adjustment  $\pm 4$  mm.



Mechanism movement as the door leaves the recess.



1 Cam-assisted door insertion and extraction movement.

2 Magnetic buffer for soft insertion.

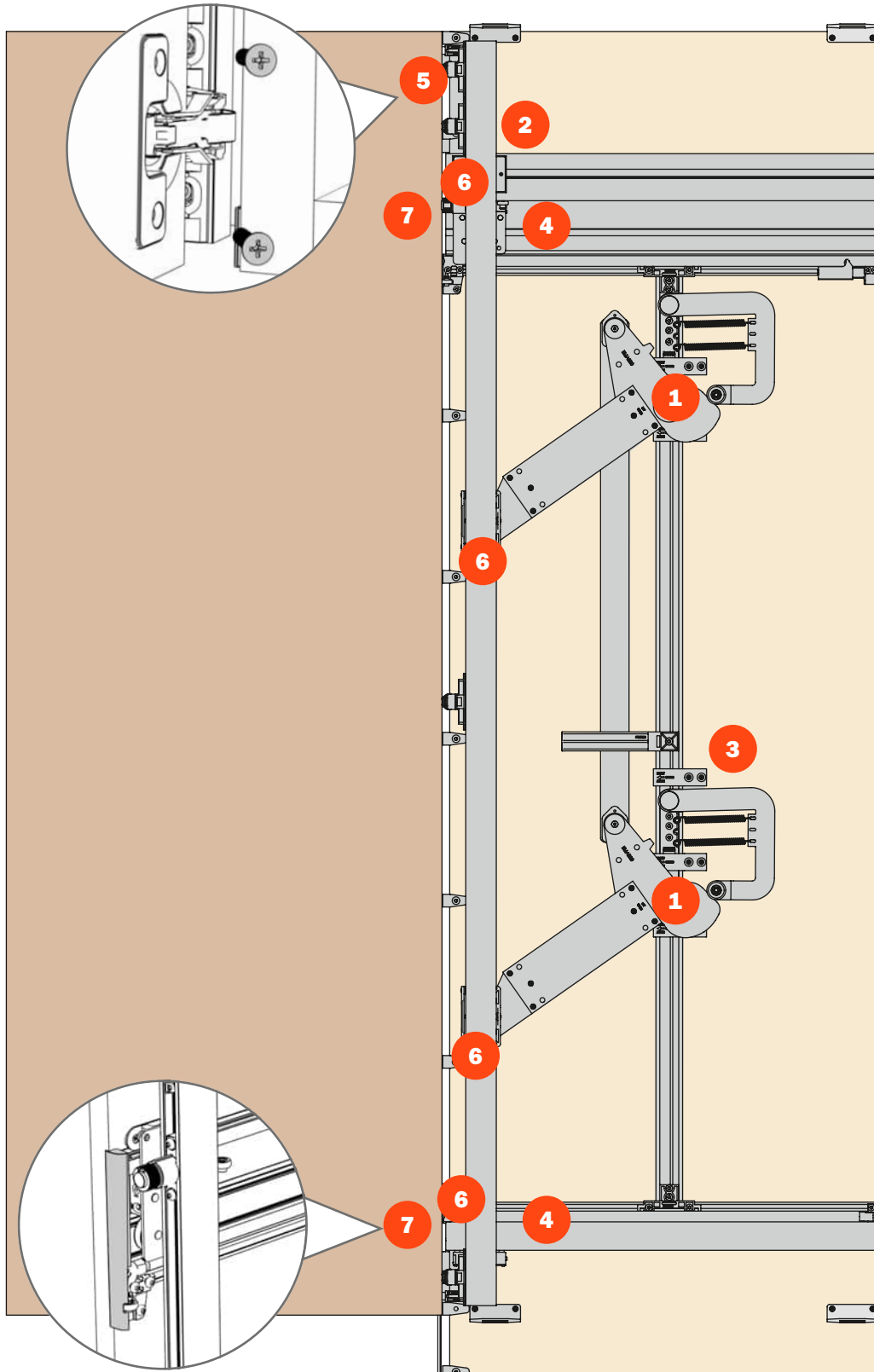
3 Slide-in installation to facilitate installation and removal of the mechanism from the front.

4 Sliding carriage.

5 Quick coupling hinges.

6 All adjustments are accessible from the front of the cabinet.

7 Profile cover caps (included in the standard versions).



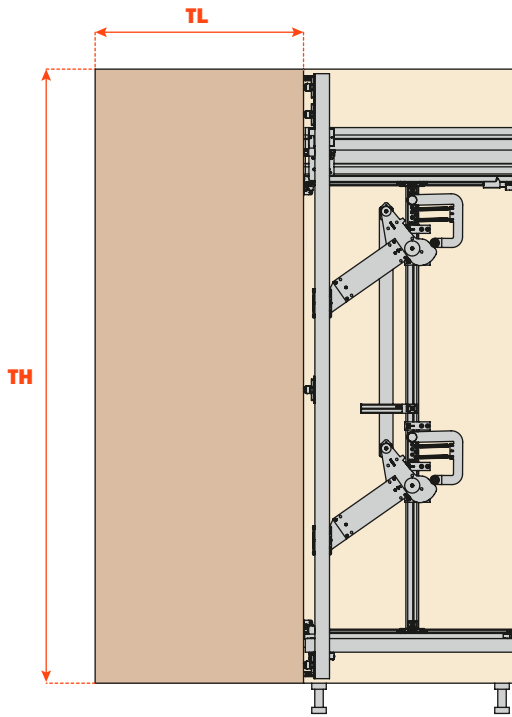
**Exedra - Calculation for door protrusion from front of cabinet**

**Abbreviations**

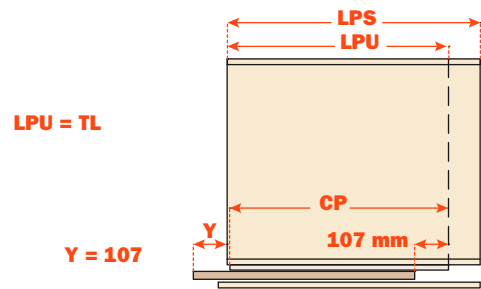
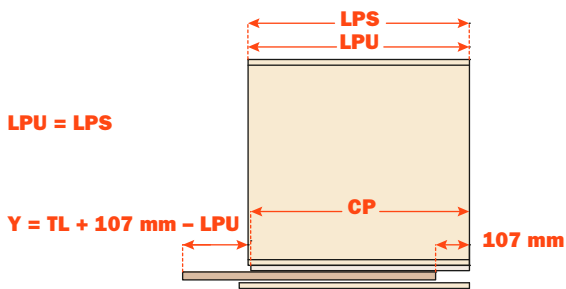
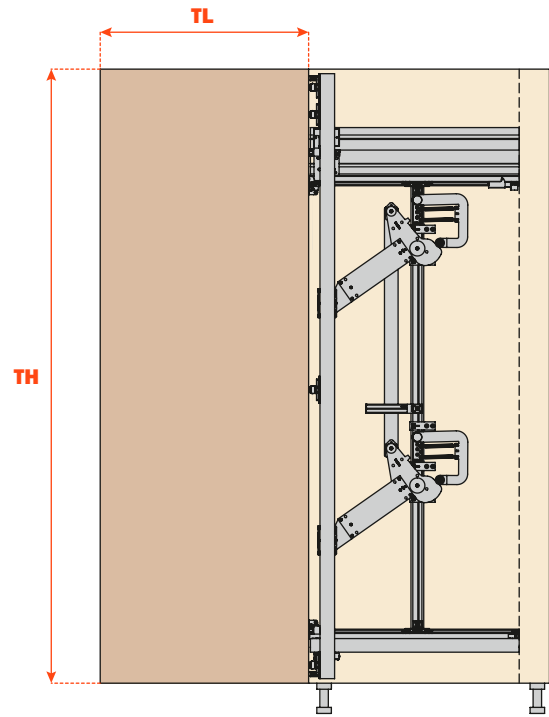
**LPS** Total external depth of the cabinet  
**LPU** Usable external depth of the cabinet  
**TL** Door width

**TH** Door height  
**CP** Profile length  
**Y** Door protrusion

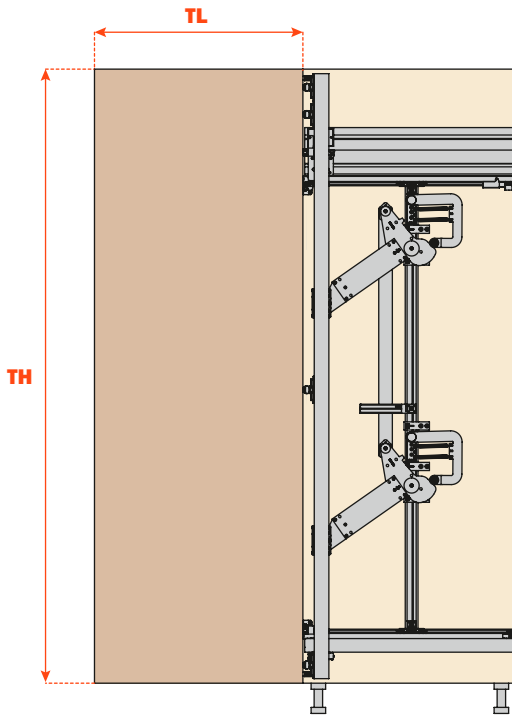
**LPS < TL**



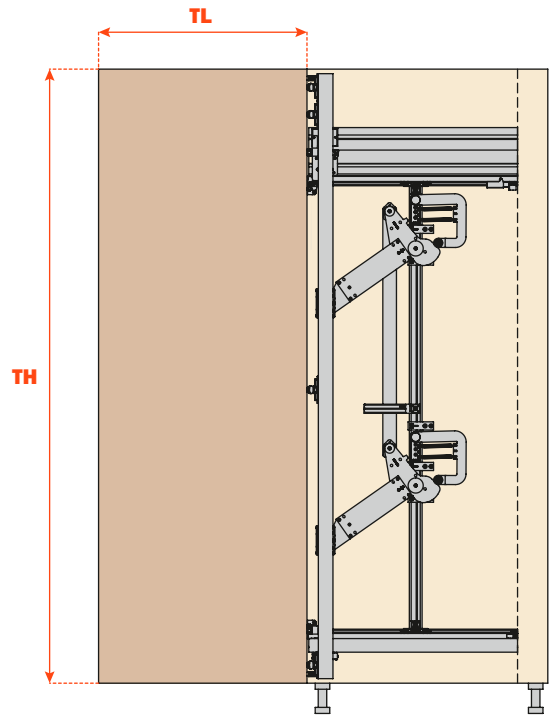
**LPS ≥ TL**



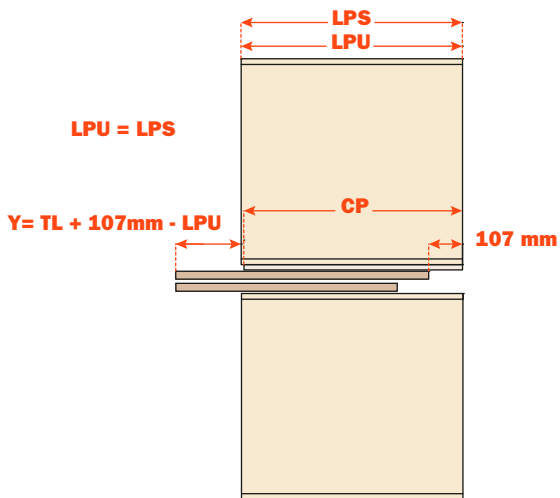
**LPS < TL**



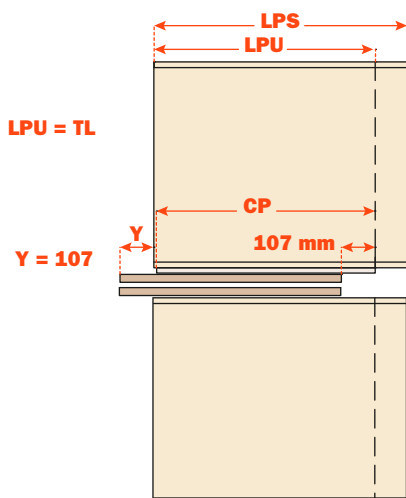
**LPS ≥ TL**

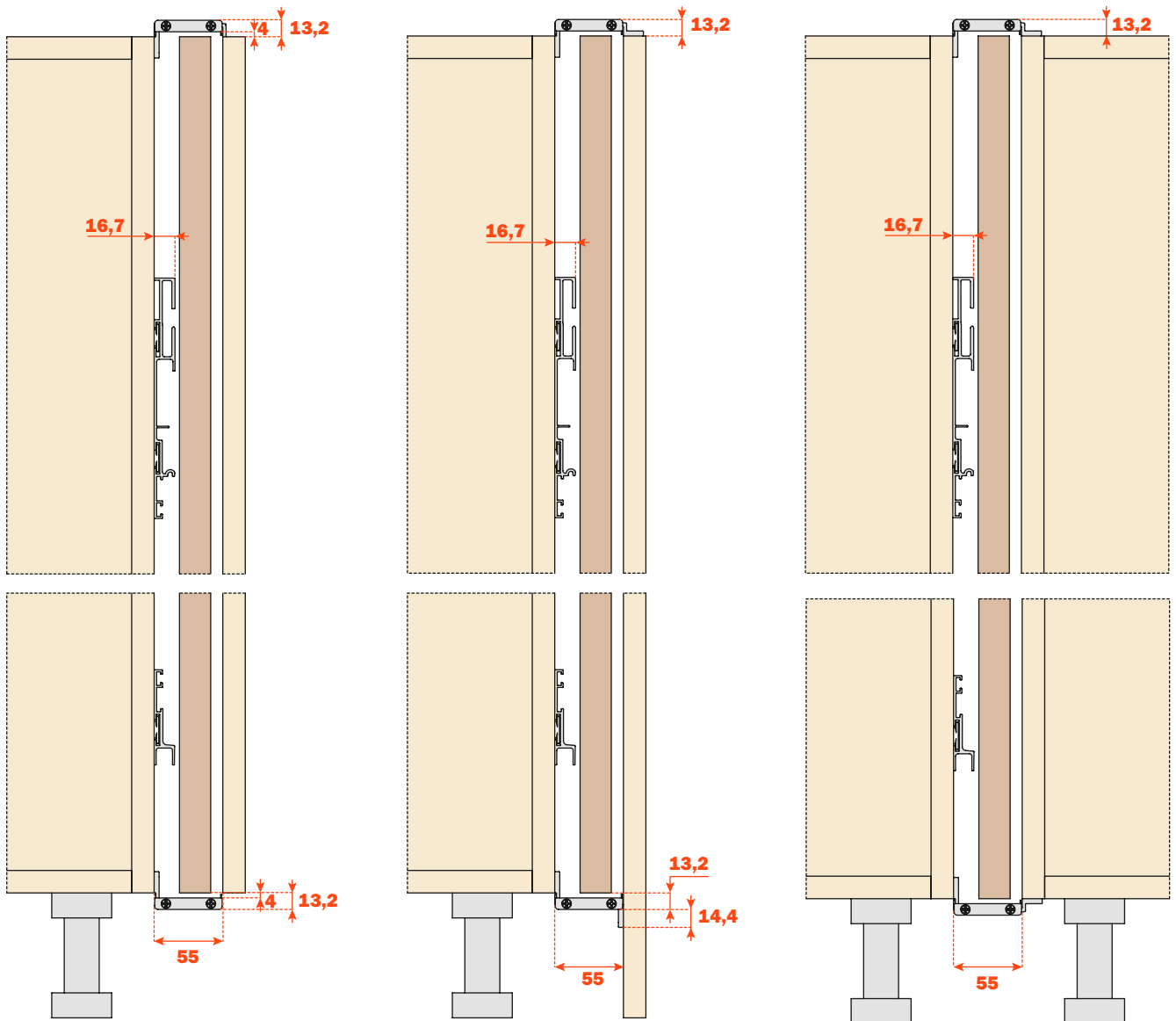


**LPU = LPS**

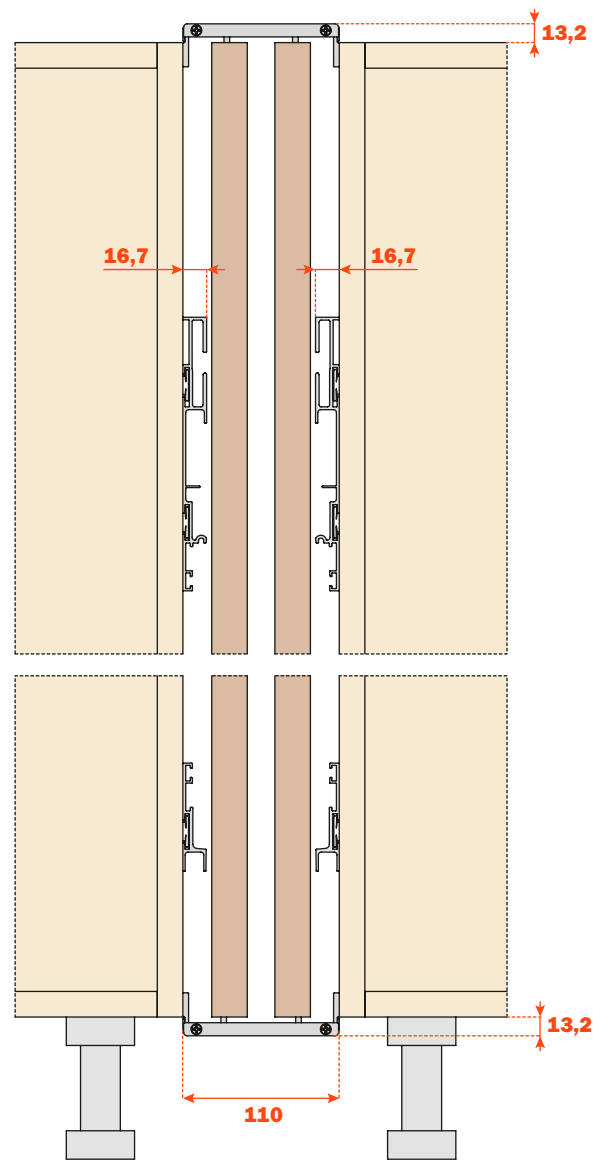
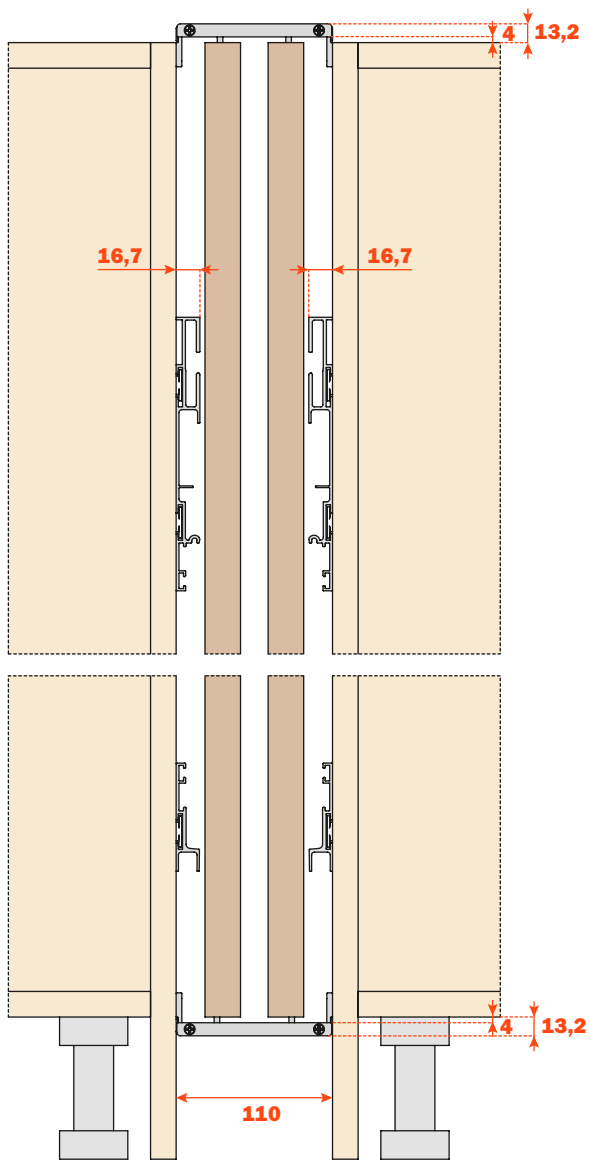


**LPU = TL**

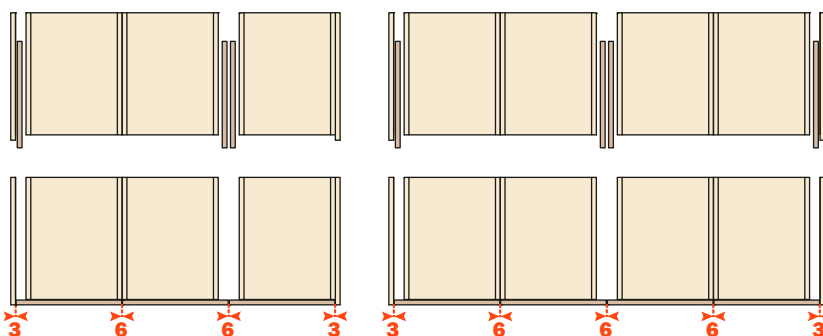
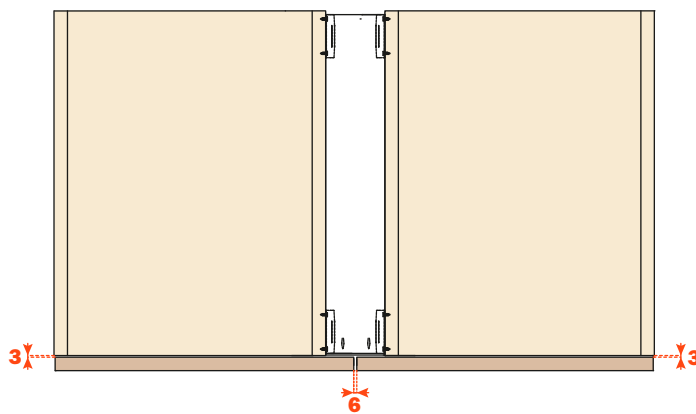
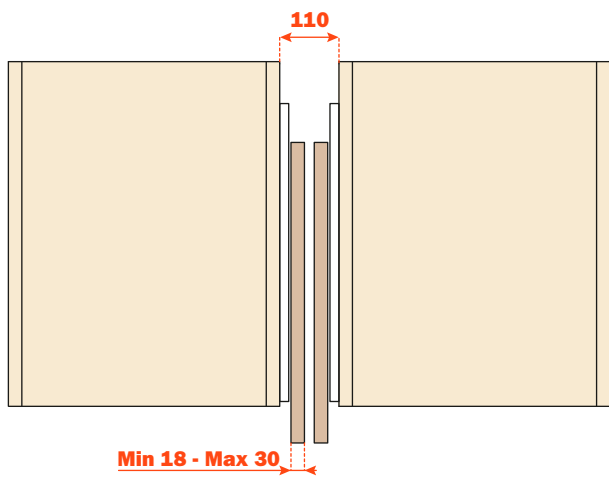
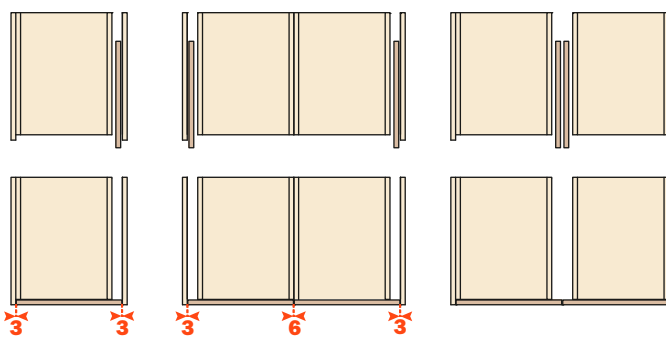
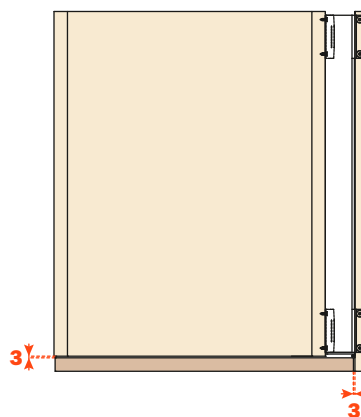
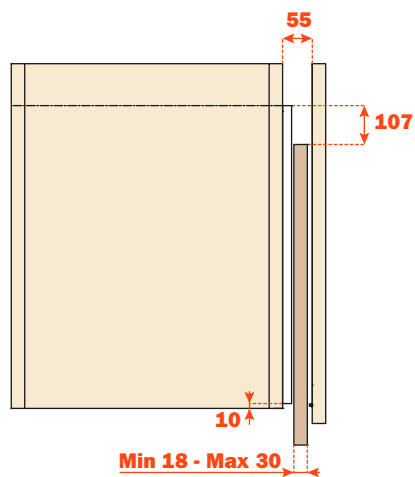


**Exedra - Types of assembly - 1 door**

## Types of assembly - 2 doors



**Exedra**

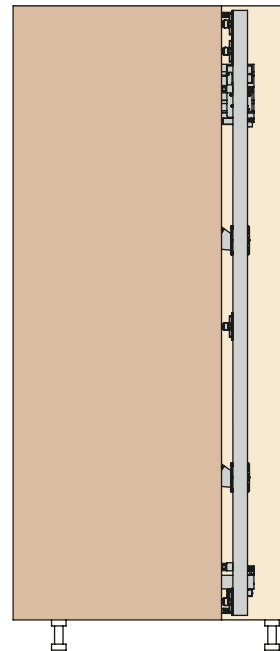
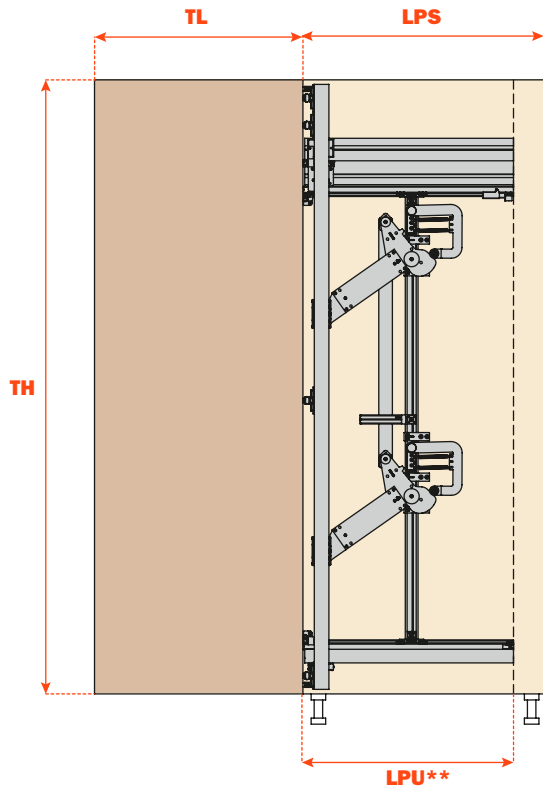


## Calculating the LPU value - Selecting the CAM connectors

LPS (Cabinet depth) ≥ TL



LPU (Usable cabinet depth) = TL



		LPU** (mm)											
		370-400		401-500		501-600		601-700		701-800		801-900	
CAM		VE55KIT0100		VE55KIT0101		VE55KIT0102		VE55KIT0103		VE55KIT0104		VE55KIT0105	
TH (mm)	Min	Max	Min	Max	Min	Max	Min	Max	Min	Max	Min	Max	
	1303**	1514											
	1515	1665	1576	1726	1698	1787	1820	1909					
	1666	2060	1727	2121	1788	2182	1910	2243	2032	2304	2154	2365	
2061	2800	2122	2800	2183	2800	2244	2800	2305	2800	2366	2800		

→ 2 x		max 12 kg
→ 3 x		max 18 kg
→ 4 x		max 24 kg
→ 5 x		max 30/40 kg*

\* max. weight 40 kg only with max. door width 750 mm.

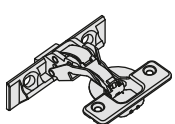
\*\* with Smove hinges kit + 30 mm

## Exedra - Standard

This solution offers a great deal of flexibility to the customer. The customer cuts the profile sections to their desired length and fixes together its individual components. A cam-carriage connection must be ordered together with the mechanism kit according to the usable structure depth (LPU) and the door height (TH). Refer to the installation manual for the cutting and assembly operations.

The locating clips and positioning stops ensure a fast and secure assembly and removal from the cabinet without the need to access the side of the cabinet.


### Calculation of the min. structure dimensions

Usable structure depth (LPU - mm)																
Door height TH (mm)			400 - 500		501 - 600		601 - 700		701 - 800		801 - 900					
	Min	Max	Min	Max	Min	Max	Min	Max	Min	Max	Min	Max				
	1303**	1514												2 x		max 12 kg
	1515	1665	1576	1726	1698	1787	1820	1909						3 x		max 18 kg
	1666	2060	1727	2121	1788	2182	1910	2243	2032	2304	2154	2365		4 x		max 24 kg
2061	2800	2122	2800	2183	2800	2244	2800	2305	2800	2366	2800		5 x		max 30/40 kg*	

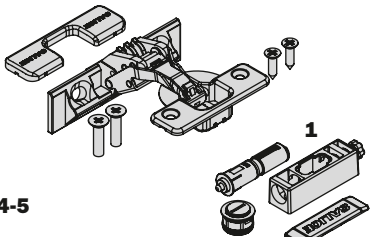
\* max. weight 40 kg only with max. door width 750 mm.

\*\* with Smove hinges kit + 30 mm

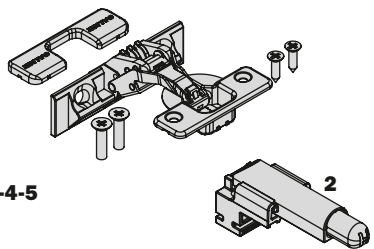
### Mechanism kit – STANDARD

Part number	 Left → ← Right	Door height TH (mm)
<b>VE55CAD1900NN</b>	Right	(1303) 1575 - 1900
<b>VE55CAS1900NN</b>	Left	
<b>VE55CAD2500NN</b>	Right	1575 - 2530 (2800)
<b>VE55CAS2500NN</b>	Left	

### Push kit


 3-4-5	Part number	Kit composition	Packing
	<b>VE55KITCP010AB</b>	5 Push Hinges + 1 Nichel-plated Release device	6 Boxes
	<b>VE55KITCP010TB</b>	5 Push Hinges + 1 Titanium Release device	6 Boxes
	<b>VE55KITCP020AB</b>	4 Push Hinges + 1 Nichel-plated Release device	6 Boxes
	<b>VE55KITCP020TB</b>	4 Push Hinges + 1 Titanium Release device	6 Boxes
	<b>VE55KITCP030AB</b>	3 Push Hinges + 1 Nichel-plated Release device	6 Boxes
	<b>VE55KITCP030TB</b>	3 Push Hinges + 1 Titanium Release device	6 Boxes

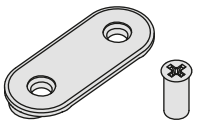
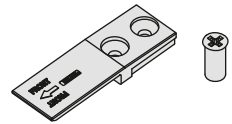
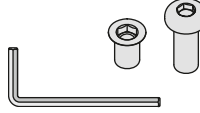
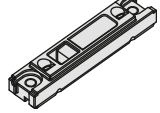
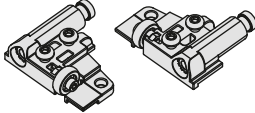
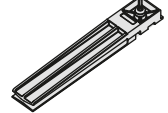
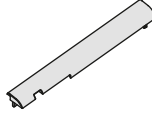
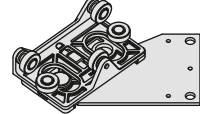
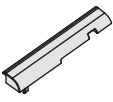
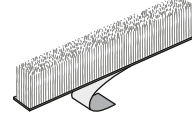

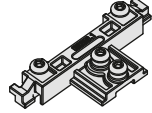
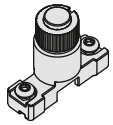
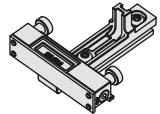
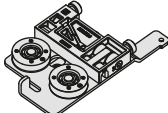

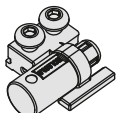
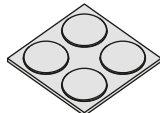
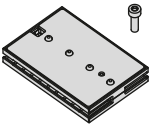

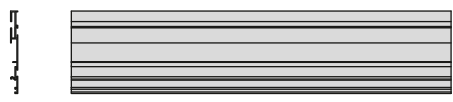
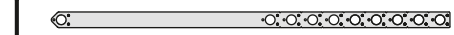

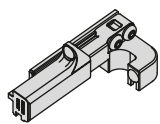

### Smove kit

 3-4-5	Part number	Kit composition	Packing
	<b>VE55KITCS010AB</b>	5 CA Hinges + 2 Nichel-plated Smove	6 Boxes
	<b>VE55KITCS010TB</b>	5 CA Hinges + 2 Titanium Smove	6 Boxes
	<b>VE55KITCS020AB</b>	4 CA Hinges + 2 Nichel-plated Smove	6 Boxes
	<b>VE55KITCS020TB</b>	4 CA Hinges + 2 Titanium Smove	6 Boxes
	<b>VE55KITCS030AB</b>	3 CA Hinges + 2 Nichel-plated Smove	6 Boxes
	<b>VE55KITCS030TB</b>	3 CA Hinges + 2 Titanium Smove	6 Boxes

CA = sprung hinge

### Cam-carriage connection

 2x	Part number	Usable structure depth (LPU - mm)
	<b>VE55KIT0100</b>	370 - 400
	<b>VE55KIT0101</b>	401 - 500
	<b>VE55KIT0102</b>	501 - 600
	<b>VE55KIT0103</b>	601 - 700
	<b>VE55KIT0104</b>	701 - 800
	<b>VE55KIT0105</b>	801 - 900

	<b>n° 9</b> Locating clips <b>n° 18</b> Euroscrews 6.3 x 14		<b>n° 5</b> Positioning stops <b>n° 10</b> Screws 6.3 x 14
	<b>n° 2</b> Threaded inserts M6 x 13 <b>n° 2</b> Screws M6 20 UNI 7380 <b>n° 1</b> Allen key		<b>n° 4/5</b> Mounting plates
	<b>n° 1 + n° 1</b> Door extraction dampers		<b>n° 1</b> Mechanism connecting support profile
	<b>n° 1</b> Upper front cover		<b>n° 2</b> Vertical carriages
	<b>n° 1</b> Lower front cover		<b>3 mt</b> Dust protection brush
	<b>n° 2</b> Spare springs		<b>n° 2</b> Central profile connectors
	<b>n° 2</b> Door positioning supports		<b>n° 1</b> Lower horizontal carriage
	<b>n° 1</b> Upper horizontal carriage		<b>n° 2</b> Door extraction and insertion mechanisms
	<b>n° 1</b> Door insertion stopper		<b>n° 1</b> Spacers
	<b>n° 1</b> Magnetic buffer for soft insertion		<b>n° 1</b> Central profile
	<b>n° 1</b> Upper track		<b>n° 1</b> Mechanism profile connecting
	<b>n° 1</b> Lower track		<b>n° 1</b> Rear bumper
	<b>n° 1</b> Door fixing profile		

## Exedra - Partially assembled


### Partially-assembled systems.

The partly-assembled Exedra system can be supplied in two versions: for doors with height from 1930 to 2230 mm or from 2231 to 2530 mm. Depth between 500 and 700 mm. After the identification of the version, the customer must cut to size the upper and the lower tracks, assemble the cams and install everything on the cabinet.

The locating clips and positioning stops ensure a fast and secure assembly and removal from the cabinet without the need to access the side of the cabinet.

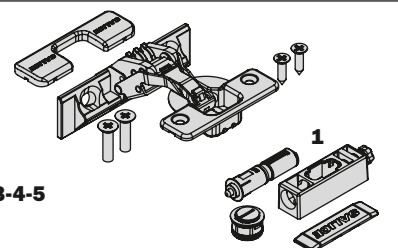
### Calculation of the min. structure dimensions

Usable structure depth (LPU - mm)					
		501 - 600		601 - 700	
Door height TH (mm)	Min	Max	Min	Max	
	1930	2230	1930	2230	4 x
	2231	2530	2231	2530	5 x

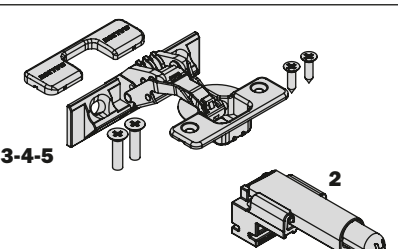


\* max. weight 40 kg only with max. door width 750 mm.

### Push kit

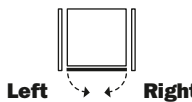
	Part number	Kit composition	Packing
	<b>VE55KITCP010AB</b>	5 Push Hinges + 1 Release device · Nichel-plated	6 Boxes
	<b>VE55KITCP010TB</b>	5 Push Hinges + 1 Release device · Titanium	6 Boxes
	<b>VE55KITCP020AB</b>	4 Push Hinges + 1 Release device · Nichel-plated	6 Boxes
	<b>VE55KITCP020TB</b>	4 Push Hinges + 1 Release device · Titanium	6 Boxes
	<b>VE55KITCP030AB</b>	3 Push Hinges + 1 Release device · Nichel-plated	6 Boxes
	<b>VE55KITCP030TB</b>	3 Push Hinges + 1 Release device · Titanium	6 Boxes

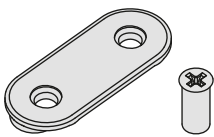
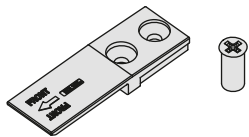
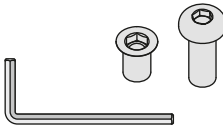
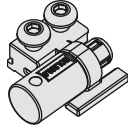
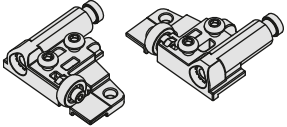
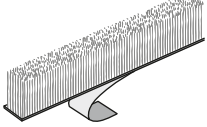
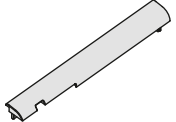
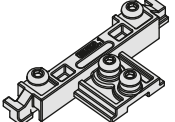
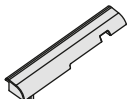
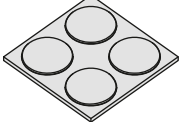



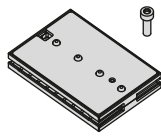
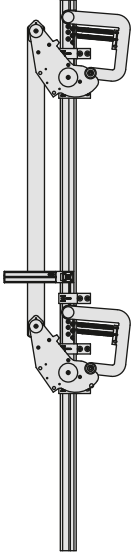


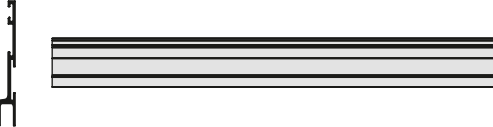
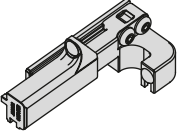
### Smove kit

	Part number	Kit composition	Packing
	<b>VE55KITCS010AB</b>	5 CA Hinges + 2 Smove · Nichel-plated	6 Boxes
	<b>VE55KITCS010TB</b>	5 CA Hinges + 2 Smove · Titanium	6 Boxes
	<b>VE55KITCS020AB</b>	4 CA Hinges + 2 Smove · Nichel-plated	6 Boxes
	<b>VE55KITCS020TB</b>	4 CA Hinges + 2 Smove · Titanium	6 Boxes
	<b>VE55KITCS030AB</b>	3 CA Hinges + 2 Smove · Nichel-plated	6 Boxes
	<b>VE55KITCS030TB</b>	3 CA Hinges + 2 Smove · Titanium	6 Boxes

CA = sprung hinge

### Mechanism kit – STANDARD PARTIALLY ASSEMBLED

Part number		Usable structure depth (LPU - mm)	Door height TH (mm)
<b>VE55CMD2200NN</b>	Right	500 - 700	1930 - 2230
<b>VE55CMS2200NN</b>	Left		
<b>VE55CMD2500NN</b>	Right	500 - 700	2231 - 2530
<b>VE55CMS2500NN</b>	Left		

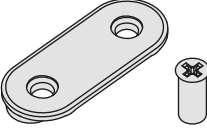
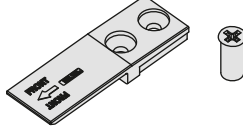
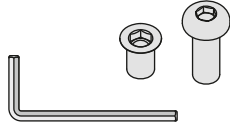
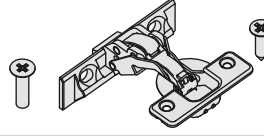
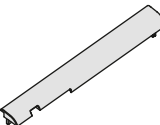
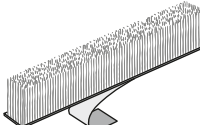
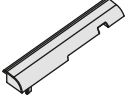
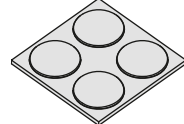
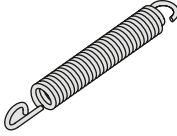
	<b>n° 9</b> Locating clips <b>n° 18</b> Euroscrews 6.3 x 14		<b>n° 5</b> Positioning stops <b>n° 10</b> Screws 6.3 x 14
	<b>n° 2</b> Threaded inserts M6 x 13 <b>n° 2</b> Screws M6 20 UNI 7380 <b>n° 1</b> Allen key		<b>n° 1</b> Door insertion stopper
	<b>n° 1 + n° 1</b> Door extraction dampers		<b>3 mt</b> Dust protection brush
	<b>n° 1</b> Upper front cover		<b>n° 2</b> Central profile connectors
	<b>n° 1</b> Lower front cover		<b>N° 1</b> Spacers
	<b>n° 2</b> Spare springs		<b>n° 2</b> Cam connection plates
	<b>n° 12</b> Fixing screws for connection plates (screws M4 x UNI)		
	<b>n° 1</b> Magnetic buffer for soft insertion		
	<b>n° 1</b> Upper track		
	<b>n° 1</b> Lower track		
	<b>n° 1</b> Rear bumper		

**Exedra - Customised**

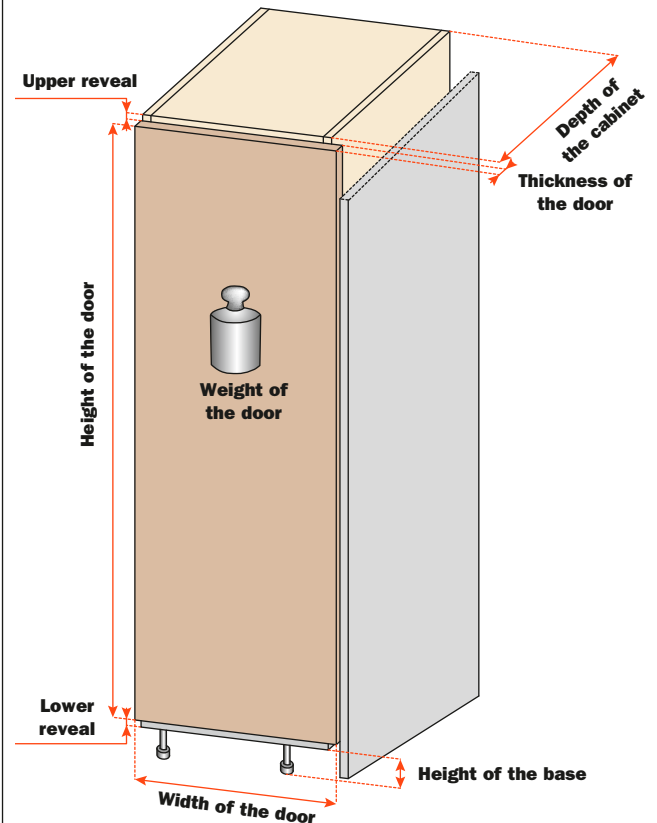
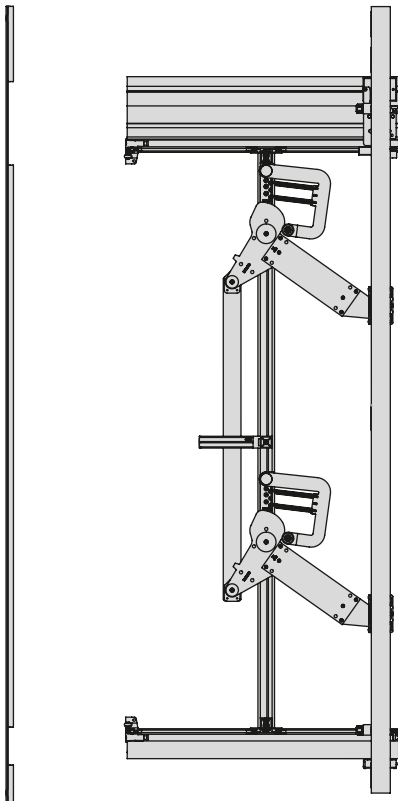
**Fully assembled solution according to customer requirements.**

The Exedra system is produced according to the dimensional specifications provided by the customer. The customer only has to assemble the system on the cabinet with the provided drilling patterns.

The locating clips and positioning stops ensure a fast and secure assembly and removal from the cabinet without the need to access the side of the cabinet.

	n° 9 Locating clips n° 18 Euroscrews 6.3 x 14		n° 5 Positioning stops n° 10 Screws 6.3 x 14
	n° 2 Threaded inserts M6 x 13 n° 2 Screws M6 20 UNI 7380 n° 1 Allen key		n° 4/5 Hinges for the fixing of the door n° 4/5 Flange covers n° 8/10 Screws for the fixing of the hinges to the system M5 x 20 UNI 7688 n° 8/10 Screws for the fixing of the hinges to the door 4 x 16 DIN 7505 A
	n° 1 Upper front cover		3 mt Dust protection brush
	n° 1 Lower front cover		n° 1 Spacers
	n° 2 Spare springs		

**Information required to order a made-to-measure Exedra mechanism.**



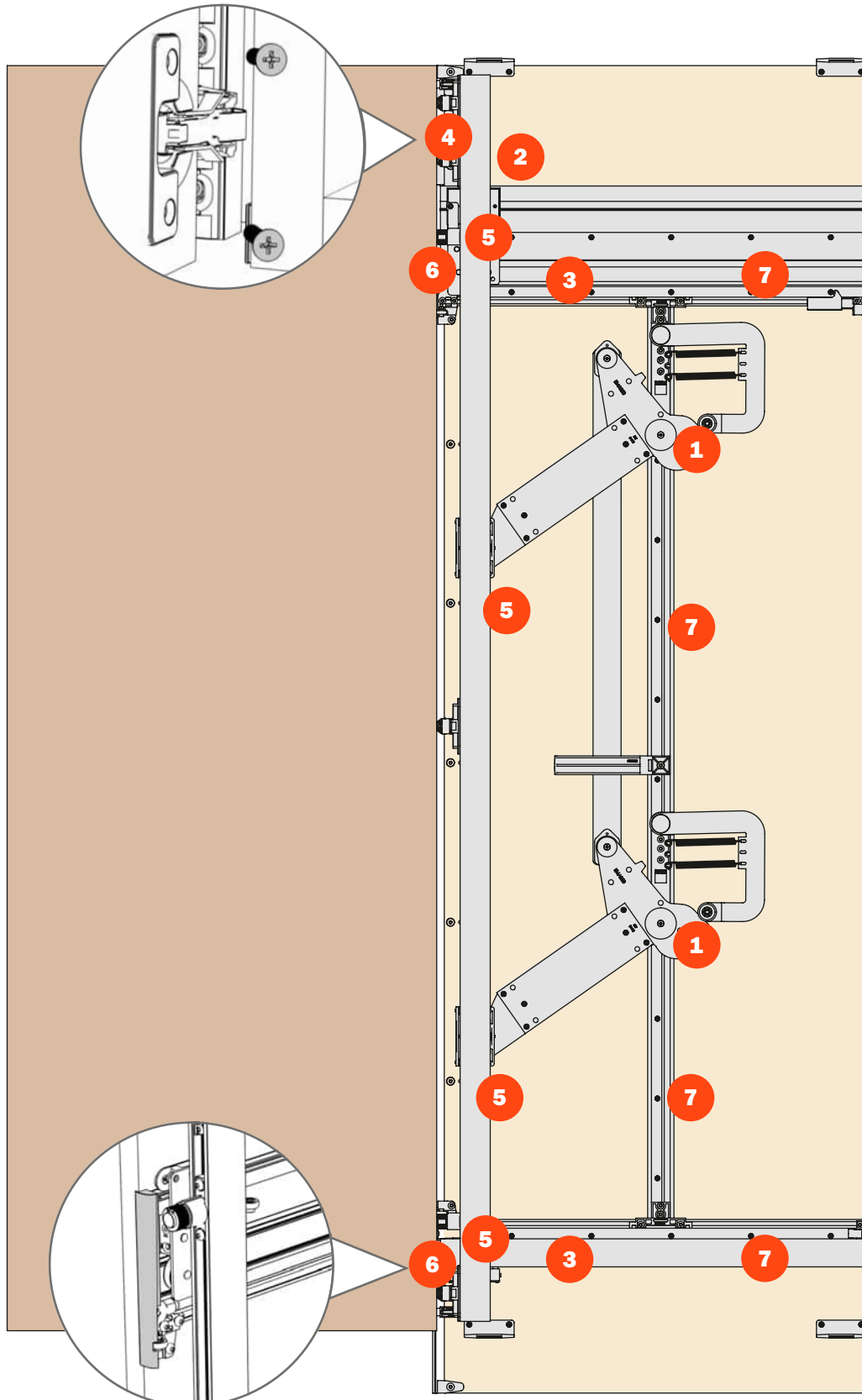


## **Exedra • Euro 32**



## Exedra Euro 32

- 1** Cam-assisted door insertion and extraction movement.
- 2** Magnetic buffer for soft insertion.
- 3** Sliding carriage.
- 4** Quick coupling hinges.
- 5** All adjustments are accessible from the front of the cabinet.
- 6** Profile cover caps (included in the standard versions).
- 7** Option for direct fixing to the cabinet by euroscrew (only with System 32 version).



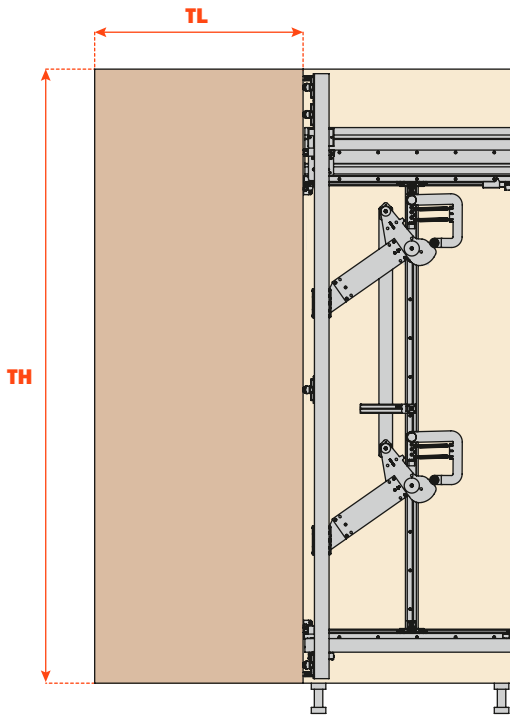
## Exedra Euro 32 - Calculation for door protrusion from front of cabinet

### Abbreviations

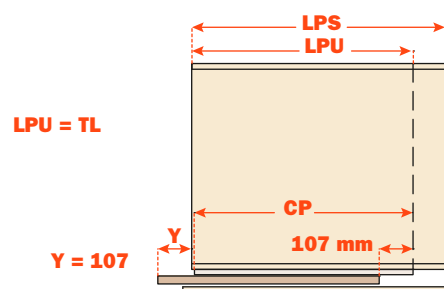
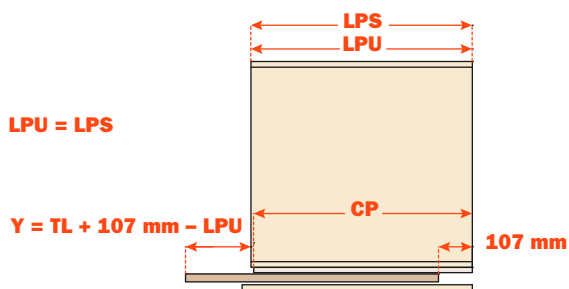
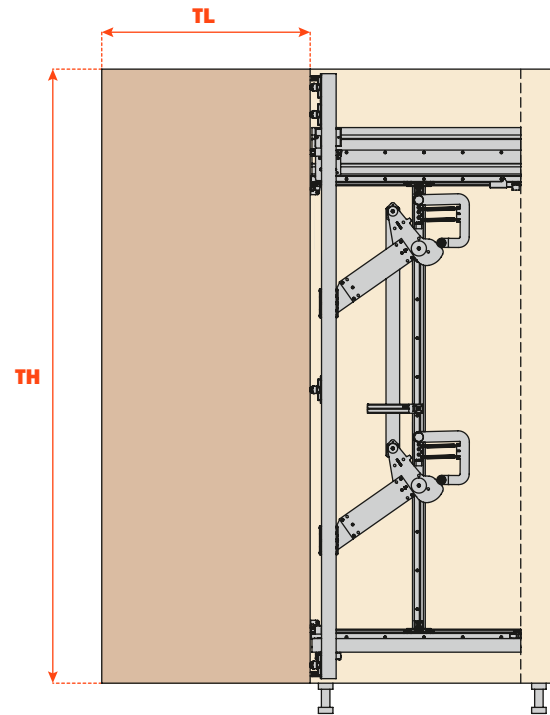
**LPS** Total external depth of the cabinet  
**LPU** Usable external depth of the cabinet  
**TL** Door width

**TH** Door height  
**CP** Profile length  
**Y** Door protrusion

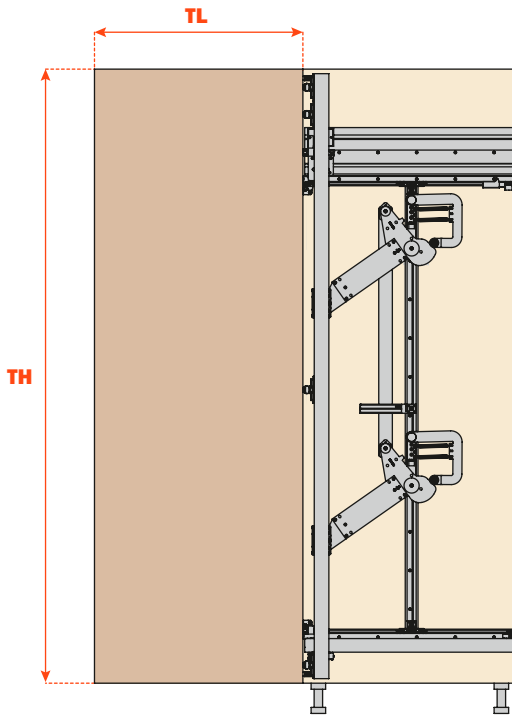
**LPS < TL**



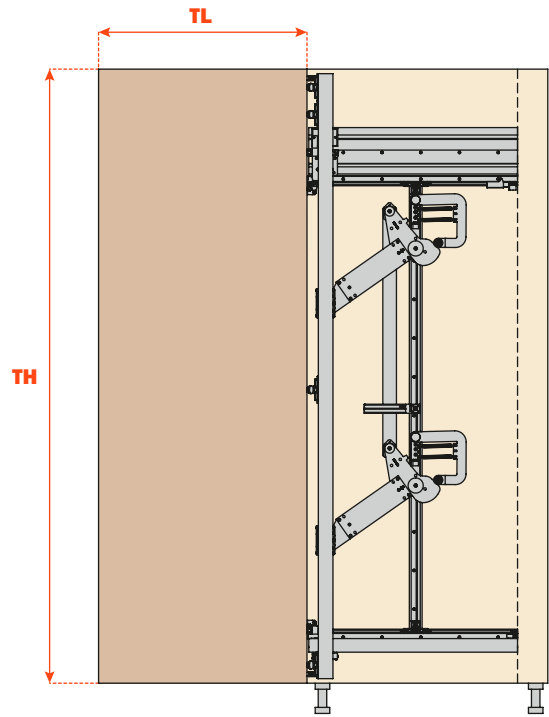
**LPS ≥ TL**



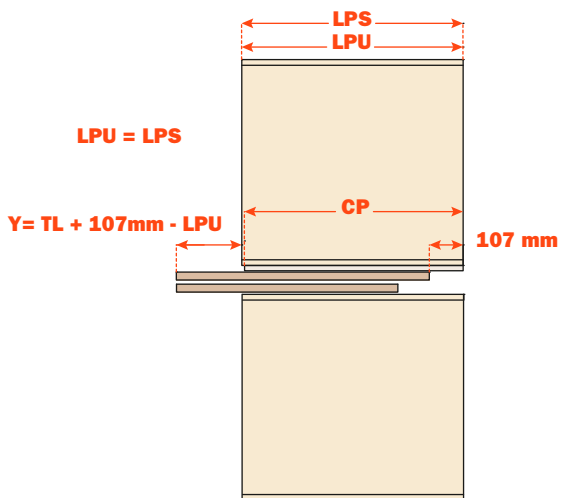
**LPS < TL**



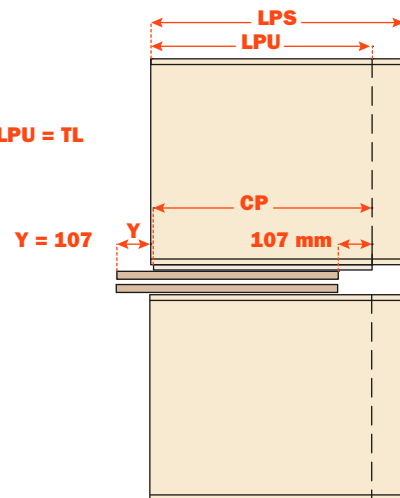
**LPS ≥ TL**



**LPU = LPS**



**LPU = TL**

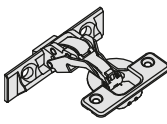


## Exedra Euro 32 - Standard

This solution offers a great deal of flexibility to the customer. The customer cuts the profile sections to their desired length and fixes together its individual components. A cam-carriage connection must be ordered together with the mechanism kit according to the usable structure depth (LPU) and the door height (TH). Refer to the installation manual for the cutting and assembly operations.

The Euro 32 version enables the mechanism to be screwed directly to the cabinet side through pre-drilled holes in the horizontal sections. Installation and removal require full access to the side of the cabinet.

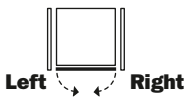
### Calculation of the min. structure dimensions

Usable structure depth (LPU - mm)																
370 - 400		401 - 500		501 - 600		601 - 700		701 - 800		801 - 900						
Door height TH (mm)	Min	Max	Min	Max	Min	Max	Min	Max	Min	Max	Min	Max				
	1303**	1514												2 x		<b>max 12 kg</b>
	1515	1665	1576	1726	1698	1787	1820	1909						3 x		<b>max 18 kg</b>
	1666	2060	1727	2121	1788	2182	1910	2243	2032	2304	2154	2365		4 x		<b>max 24 kg</b>
2061	2800	2122	2800	2183	2800	2244	2800	2305	2800	2366	2800		5 x		<b>max 30/40 kg*</b>	

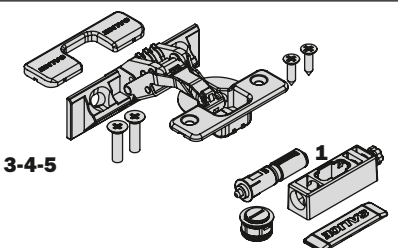
\* max. weight 40 kg only with max. door width 750 mm.

\*\* with Smove hinges kit + 30 mm

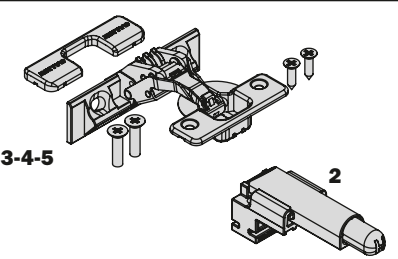
### Mechanism kit – STANDARD

Part number		Door height TH (mm)
<b>YE55BAD1900NNE</b>	Right	(1303) 1575 - 1930
<b>YE55BAS1900NNE</b>	Left	
<b>YE55BAD2500NNE</b>	Right	1575 - 2530 (2800)
<b>YE55BAS2500NNE</b>	Left	

### Push kit


	Part number	Kit composition	Packing
3-4-5	<b>VE55KITCP010AB</b>	5 Push Hinges + 1 Release device • Nichel-plated	6 Boxes
	<b>VE55KITCP010TB</b>	5 Push Hinges + 1 Release device • Titanium	6 Boxes
	<b>VE55KITCP020AB</b>	4 Push Hinges + 1 Release device • Nichel-plated	6 Boxes
	<b>VE55KITCP020TB</b>	4 Push Hinges + 1 Release device • Titanium	6 Boxes
	<b>VE55KITCP030AB</b>	3 Push Hinges + 1 Release device • Nichel-plated	6 Boxes
	<b>VE55KITCP030TB</b>	3 Push Hinges + 1 Release device • Titanium	6 Boxes


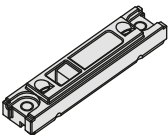
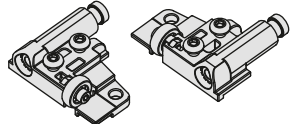
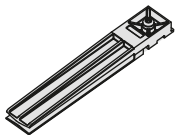
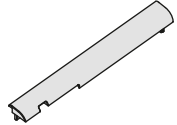
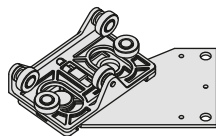
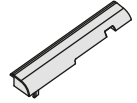
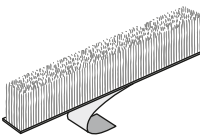
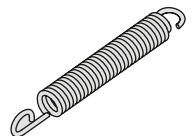
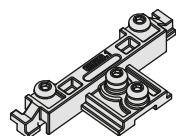
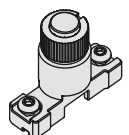
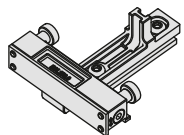
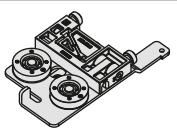
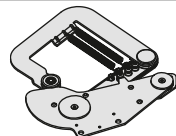
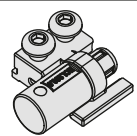
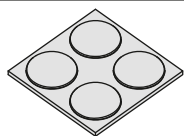

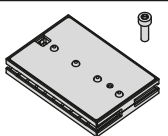

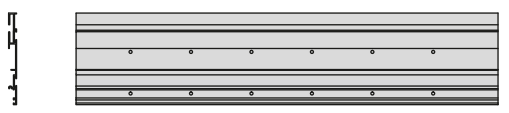

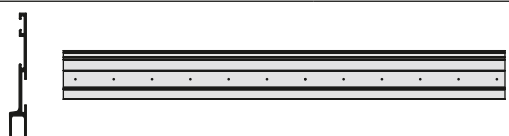
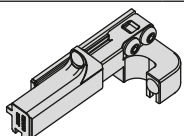

### Smove kit

	Part number	Kit composition	Packing
3-4-5	<b>VE55KITCS010AB</b>	5 CA Hinges + 2 Smove • Nichel-plated	6 Boxes
	<b>VE55KITCS010TB</b>	5 CA Hinges + 2 Smove • Titanium	6 Boxes
	<b>VE55KITCS020AB</b>	4 CA Hinges + 2 Smove • Nichel-plated	6 Boxes
	<b>VE55KITCS020TB</b>	4 CA Hinges + 2 Smove • Titanium	6 Boxes
	<b>VE55KITCS030AB</b>	3 CA Hinges + 2 Smove • Nichel-plated	6 Boxes
	<b>VE55KITCS030TB</b>	3 CA Hinges + 2 Smove • Titanium	6 Boxes

CA = sprung hinge

### Cam-carriage connection

	Part number	Usable structure depth (LPU - mm)
x 2	<b>YE55KIT0101</b>	370 - 400
	<b>YE55KIT0101</b>	401 - 500
	<b>YE55KIT0102</b>	501 - 600
	<b>YE55KIT0103</b>	601 - 700
	<b>YE55KIT0104</b>	701 - 800
	<b>YE55KIT0105</b>	801 - 900

	n° 2 Euro screws		n° 4/5 Mounting plates
	n° 1 + n° 1 Door extraction dampers		n° 1 Mechanism connecting support profile
	n° 1 Upper front cover		n° 2 Vertical carriages
	n° 1 Lower front cover		3 mt Dust protection brush
	n° 2 Spare springs		n° 2 Central profile connectors
	n° 2 Door positioning supports		n° 1 Lower horizontal carriage
	n° 1 Upper horizontal carriage		n° 2 Door extraction and insertion mechanisms
	n° 1 Door insertion stopper		n° 1 Spacers
	n° 12 Fixing screws for connection plates (screws M4 x UNI) n° 2 Cam connection plates		
	n° 1 Magnetic buffer for soft insertion		n° 1 Central profile
	n° 1 Upper track		n° 1 Mechanism profile connecting
	n° 1 Lower track		n° 1 Rear bumper
	n° 1 Door fixing profile		

## Exedra Euro 32 - Partially assembled

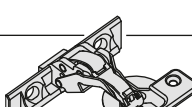
### Partially-assembled systems.

The partly-assembled Exedra system can be supplied in two versions: for doors with height from 1930 to 2230 mm or from 2231 to 2530 mm. Depth between 500 and 700 mm. After the identification of the version, the customer must cut to size the upper and the lower tracks, assemble the cams and install everything on the cabinet.

The Euro 32 version enables the mechanism to be screwed directly to the cabinet side through pre-drilled holes in the horizontal sections. Installation and removal require full access to the side of the cabinet.

### Calculation of the min. structure dimensions

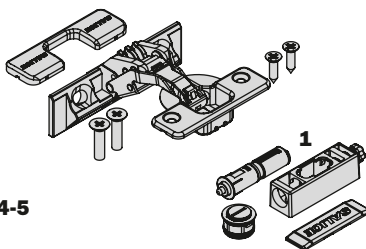
Usable structure depth (LPU - mm)				
Door height TH (mm)	501 - 600		601 - 700	
	Min	Max	Min	Max
	1930	2230	1930	2230
2231	2530	2231	2530	5 x



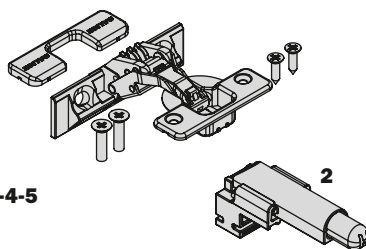
<b>max 24 kg</b>
<b>max 30 kg/kg40*</b>

\* max. weight 40 kg only with max. door width 750 mm.

### Push Kit

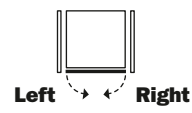
 3-4-5	Part number	Kit composition	Packing
	<b>VE55KITCP010AB</b>	5 Push Hinges + 1 Release device · Nichel-plated	6 Boxes
	<b>VE55KITCP010TB</b>	5 Push Hinges + 1 Release device · Titanium	6 Boxes
	<b>VE55KITCP020AB</b>	4 Push Hinges + 1 Release device · Nichel-plated	6 Boxes
	<b>VE55KITCP020TB</b>	4 Push Hinges + 1 Release device · Titanium	6 Boxes
	<b>VE55KITCP030AB</b>	3 Push Hinges + 1 Release device · Nichel-plated	6 Boxes
	<b>VE55KITCP030TB</b>	3 Push Hinges + 1 Release device · Titanium	6 Boxes


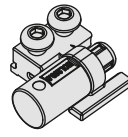
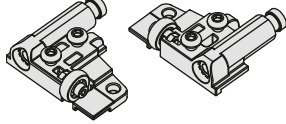
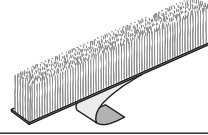
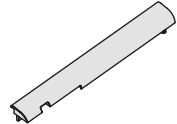
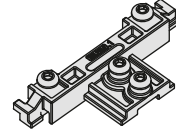
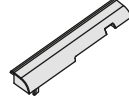
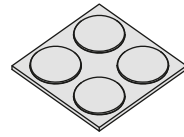
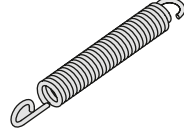



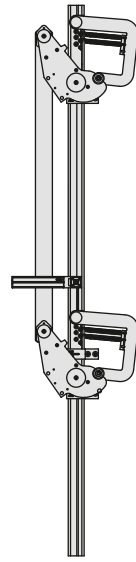
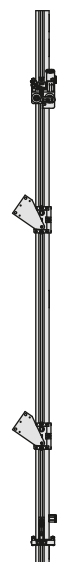
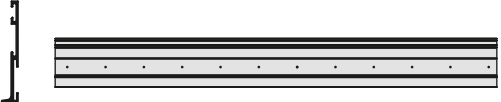
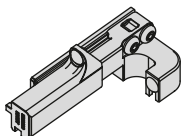

### Smove Kit

 3-4-5	Part number	Kit composition	Packing
	<b>VE55KITCS010AB</b>	5 CA Hinges + 2 Smove · Nichel-plated	6 Boxes
	<b>VE55KITCS010TB</b>	5 CA Hinges + 2 Smove · Titanium	6 Boxes
	<b>VE55KITCS020AB</b>	4 CA Hinges + 2 Smove · Nichel-plated	6 Boxes
	<b>VE55KITCS020TB</b>	4 CA Hinges + 2 Smove · Titanium	6 Boxes
	<b>VE55KITCS030AB</b>	3 CA Hinges + 2 Smove · Nichel-plated	6 Boxes
	<b>VE55KITCS030TB</b>	3 CA Hinges + 2 Smove · Titanium	6 Boxes

CA = sprung hinge

### Mechanism kit – STANDARD PARTIALLY ASSEMBLED

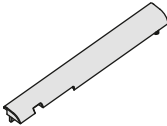
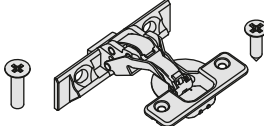
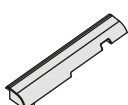
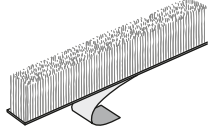

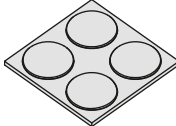
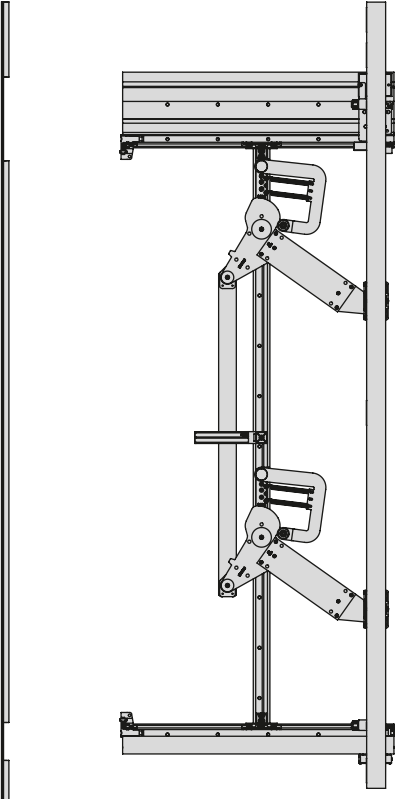
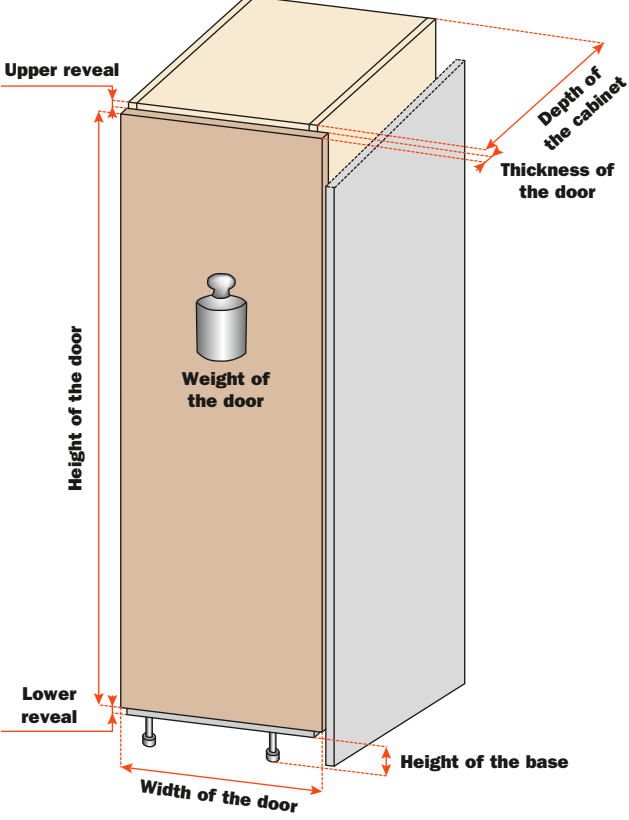
Part number		Usable structure depth (LPU - mm)	Door height TH (mm)
<b>VE55CMD2200NNE</b>	Right	500 - 700	1930 - 2230
<b>VE55CMS2200NNE</b>	Left		
<b>VE55CMD2500NNE</b>	Right	500 - 700	2231 - 2530
<b>VE55CMS2500NNE</b>	Left		

	<b>n° 2</b> Euro screws		<b>n° 1</b> Door insertion stopper
	<b>n° 1 + n° 1</b> Door extraction dampers		<b>3 mt</b> Dust protection brush
	<b>n° 1</b> Upper front cover		<b>n° 2</b> Central profile connectors
	<b>n° 1</b> Lower front cover		<b>N° 1</b> Spacers
	<b>n° 2</b> Spare springs		<b>n° 2</b> Cam connection plates
	<b>n° 12</b> Fixing screws for connection plates (screws M4 x UNI)		
	<b>n° 1</b> Upper track		
	<b>n° 1</b> Lower track		
	<b>n° 1</b> Rear bumper		
	<b>n° 1</b> Magnetic buffer for soft insertion		

## Exedra Euro 32

### Fully assembled solution according to customer requirements.

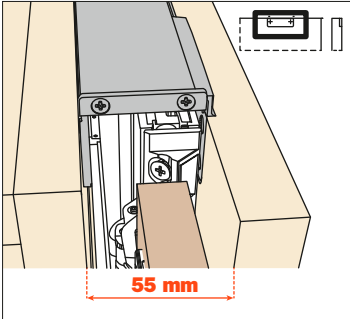
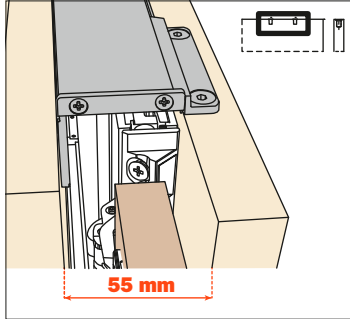
The Exedra system is produced according to the dimensional specifications provided by the customer. The customer has only to assemble the mechanism onto the cabinet which is pre-drilled according to the drilling pattern provided. The Euro 32 version enables the mechanism to be screwed directly to the cabinet side through pre-drilled holes in the horizontal sections. Installation and removal require full access to the side of the cabinet.

	<p>n° 1 Upper front cover</p>		<p>n° 4/5 Hinges for the fixing of the door  n° 4/5 Flange covers  n° 8/10 Screws for the fixing of the hinges to the system M5 x 20 UNI 7688  n° 8/10 Screws for the fixing of the hinges to the door 4 x 16 DIN 7505 A</p>
	<p>n° 1 Lower front cover</p>		<p>3 mt Dust protection brush</p>
	<p>n° 2 Spare springs</p>		<p>n° 1 Spacers</p>
		<p><b>Information required to order a made-to-measure Exedra mechanism.</b></p> 	



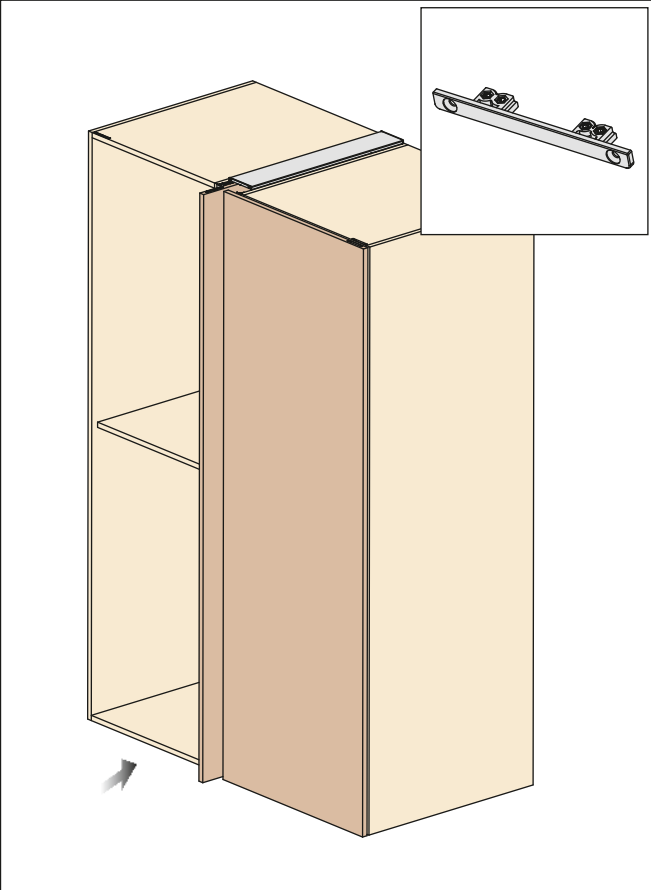
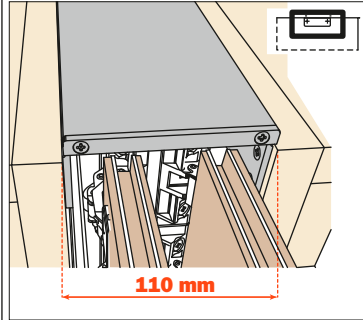
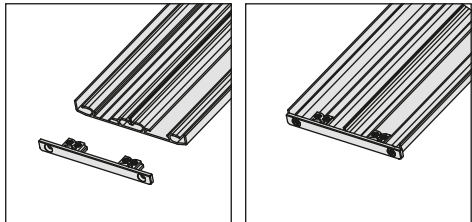
# Accessories

**Exedra - Accessories - Side panel connector kits - Single door**

Version with milling	Part number	LPS (mm)	Version to be screw-fixed	Part number	LPS (mm)
	<b>VE55KIT0005</b>	370 - 650		<b>VE55KIT0001</b>	370 - 650
	<b>VE55KIT0006</b>	650 - 900		<b>VE55KIT0002</b>	650 - 900

**Accessories - Connector kits for double-pocket applications for 2 doors**

Screw-fix the supports to the cabinet side and insert the track for the doors in the front part of the profile. Cut to length and insert the profile.

	<b>Part number</b>	<b>LPS (mm)</b>
	<b>VE55KIT0003</b>	370 - 650
	<b>VE55KIT0004</b>	650 - 900
		

Cut the aluminium cover to length and slide it onto the clips.



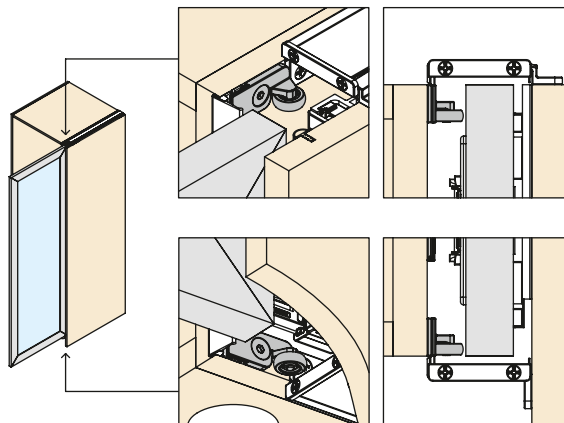
	Part number	L (m)	Colours
	<b>VE55KIT0201</b>	2.6	
	<b>VE55KIT0202</b>	2.6	
	<b>VE55KIT0203</b>	2.6	
	<b>VE55KIT0204</b>	3.0	
	<b>VE55KIT0205</b>	3.0	
	<b>VE55KIT0206</b>	3.0	

## Accessories

### Supplementary roller guide for aluminium-framed glass doors and framed wooden doors.

The fixing of this component requires additional working. Please do not hesitate to consult our technical support department for assistance.

Part number	pcs.
<b>VE55KIT0040</b>	1 (Box with 10 pcs.)



## ARTURO SALICE S.p.A.

VIA PROVINCIALE NOVEDRATESE, 10  
22060 NOVEDRATE (COMO) ITALIA  
TEL. 031 790424 - FAX 031 791508  
info.salice@salice.com - www.salice.com

### DEUTSCHE SALICE GMBH

RUDOLF DIESEL STR. 10  
74382 NECKARWESTHEIM  
TEL. 07133 9807-0  
FAX. 07133 9807-16  
info.salice@deutschesalice.de  
www.salice.com

### DEUTSCHE SALICE GMBH

VERKAUFSBÜRO NORD  
RINGSTRASSE 36/A30 CENTER  
32584 LÖHNE  
TEL. 05731 15608-0  
FAX. 05731 15608-10  
vknord@deutschesalice.de  
www.salice.com

### SALICE UK LTD.

KINGFISHER WAY  
HINCHINGBROOKE BUSINESS PARK  
HUNTINGDON CAMBS PE 29 6FN  
TEL. 01480 413831  
FAX. 01480 451489  
info.salice@saliceuk.co.uk  
www.salice.com

## BORTOLUZZI SISTEMI S.p.A.

VIA CADUTI 14 SETTEMBRE 1944, 45  
32100 BELLUNO ITALIA  
TEL. 0437 930866 - FAX 0437 931442  
info@bortoluzzi.com - www.bortoluzzi.com

### SALICE FRANCE S.A.R.L.

285 RUE DE GOA ZAC LES 3 MOULINS  
06600 ANTIBES  
TEL. 0493 330069  
FAX. 0493 330141  
info.salice@salicefrance.com  
www.salice.com

### SALICE ESPAÑA, S.L.U.

C/ AIGUAFREDA 4, P.I. AMETLLA PARK  
08480 L'AMETLLA DEL VALLÈS (BARCELONA)  
TEL. 0034 938 46 88 61  
info.salice@saliceespana.es  
www.salice.com

### SALICE PORTUGAL UNIP. LDA

#### SHOWROOM:

TV SÁ E MELO 161 FA  
4470-116 MAIA - PORTO  
TEL: 00351 224 154 221  
Info@saliceportugal.pt  
www.salice.com

#### ARMAZÉM:

VIA ROTA DOS MÓVEIS I 399  
4585-325 GANDRA

### SALICE CHINA (SHANGHAI) CO. LTD.

1st FLOOR, B1 BLDG 928 MINGZHU ROAD  
XUJING, QINGPU DISTRICT  
SHANGHAI 201702 - CHINA  
TEL. 021 3988 9880  
FAX. 021 3988 9882  
info.salice@salicechina.com  
www.salicechina.com

### SALICE INDIA PVT. LTD.

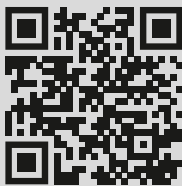
1001 & 1002, 10TH FLOOR,  
CENTRUM, PLOT NO. C-3,  
OPP. WAGLE PRABHAG SAMITI OFFICE,  
MIDC AREA, WAGLE INDUSTRIAL ESTATE,  
THANE - 400604, MAHARASHTRA  
TEL. 022 20812050  
info@saliceindia.com  
www.salice.com

### SALICE CANADA INC.

3500 RIDGEWAY DRIVE,  
UNIT#1  
MISSISSAUGA, ONTARIO, L5L 0B4  
TEL. 905 820 8787  
FAX. 905 820 7226  
info.salice@salicecanada.com  
www.salicecanada.com

### SALICE AMERICA INC.

2123 CROWN CENTRE DRIVE  
CHARLOTTE NC. 28227  
TEL. 704 841 7810  
FAX. 704 841 7808  
info.salice@saliceamerica.com  
www.saliceamerica.com



Digital contents

We reserve the right to change technical specifications.



DOCASS002ENG Ed. 11 - 09/2024