

SALICE



Exedra Gravity

pocket door system

ENG



Exedra Gravity

This pocket door system elevates both versatility and design, featuring a distinctly modern and clean look.

Versatility

A truly versatile solution, it integrates perfectly into multiple applications.

Functionality

A simple yet reliable mechanism that provides complete door retraction into the compartment.

Installing and uninstalling made simple, requiring only a few easy steps.

Flexibility

Exedra Gravity can be applied to a wide range of doors and supports up to 40 kg.



Exedra Gravity

Design and functionality in perfect harmony

The Exedra Gravity system integrates seamlessly into multiple spaces, complementing a wide range of furniture, from kitchens and home offices to bar cabinets and laundry rooms.

An innovation that is both stylish and effective combining aesthetics and practicality.



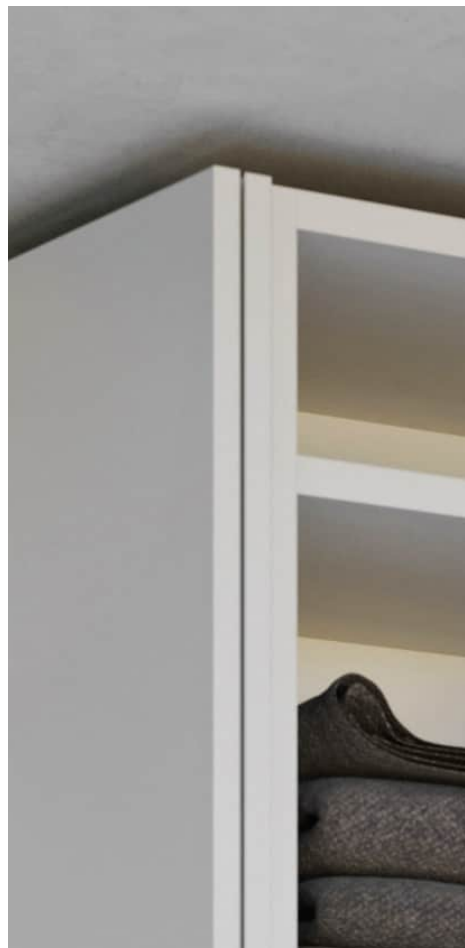
Exedra Gravity

Design Flexibility

Exedra Gravity suits all types of furniture and can be applied to a wide range of dimensions:

- Doors height from 1100 mm to 3000 mm.
- Doors width from 300 mm to 900 mm.
- Doors thickness from 14 mm to 30 mm.
- For reduced thicknesses, see page 33 chapter “Accessories”.
- Door weight up to 40 kg.

Modular with the Exedra2 system.



Exedra Gravity

Movements developed for maximum ease of use.

Two options available:

Out - Doors open independently from within the cabinet with assisted motion, activated by a light touch.

In - The doors retract with a smooth, perfectly balanced motion in response to a gentle push.

Exedra Gravity can be supplied with hinges and **Smove**, for a decelerated closing, or **Push** to open hinges for handle-less doors. Both versions are available in **nickel-plated** or **titanium** finishes.

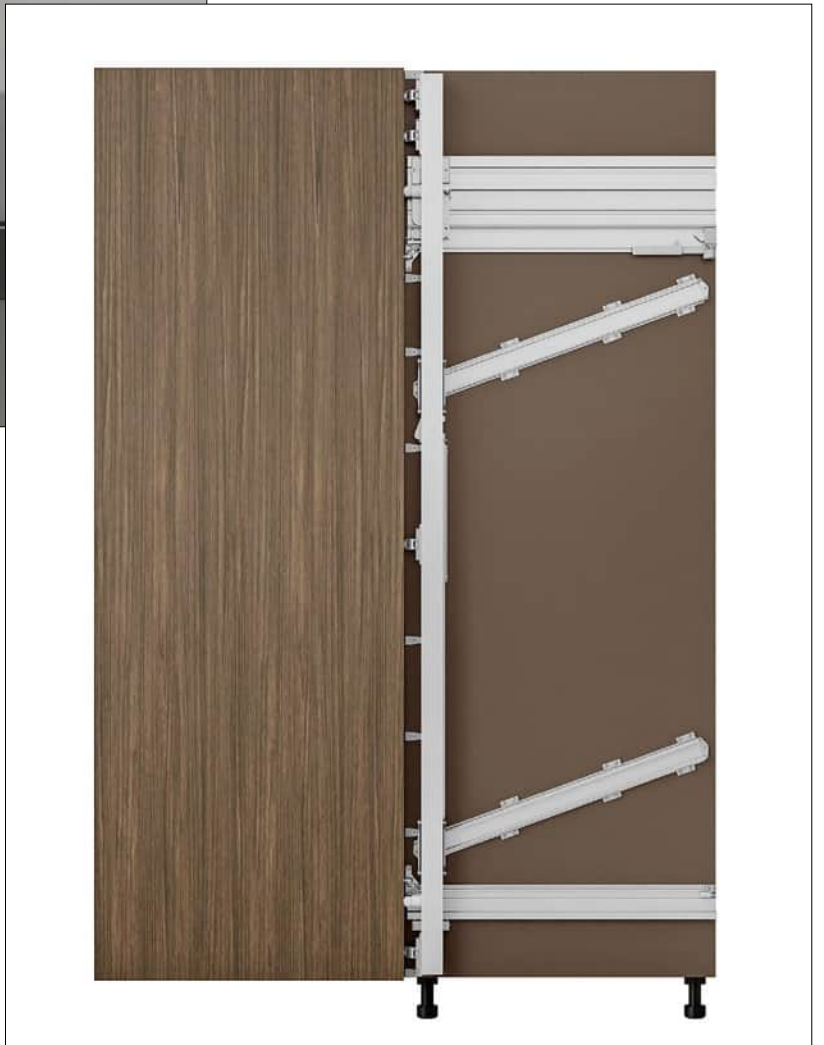
A seamless and intuitive mechanism.

The door fully retracts into the compartment when open, ensuring practicality and discreetness.

Each movement is assisted, resulting in a precise and harmonious sliding action.

Configure your system's movement and accurately calculate door retraction with the **online configurator!**





Exedra Gravity

imple, reliable, practical.

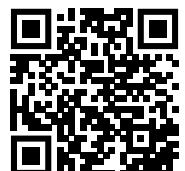
The concealed sliding mechanism, contained within a 55mm housing, allows for easy adjustment and access without disassembling the cabinet.

It attaches directly to the cabinet side in just a few simple steps.

Exedra Gravity's innovative technology operates without the need for cables, tie rods, or springs.

Fluid and smooth motion assisted by magnetic dampers designed to control the speed.

Our **online configurator** allows better customisation for every version of the system.



SALICE

INDIETRO AVANTI

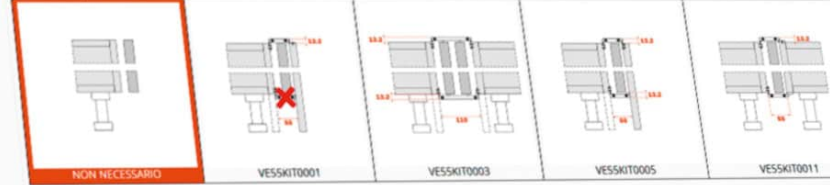
- Informazioni
- Scelta del sistema
- Scelta anta
- Dimensioni anta e struttura
- Accessori
- Riepilogo configurazione
- Download

ESS...

Accessori

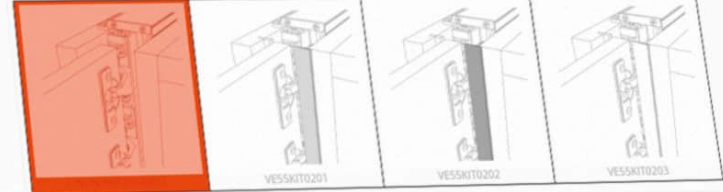
GIUNZIONE FIANCO STRUTTURA

Seleziona una giunzione *



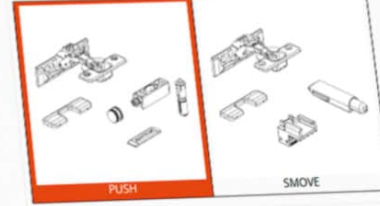
KIT COPERTURA FRONTALE

Seleziona un colore



CERNIERE

Seleziona un tipo *



Seleziona una finitura *



Exedra Gravity

A simple and intuitive purchasing process.

Online configurator supports every phase, from design to installation, with detailed instructions and video tutorials.

Supplied in Kit form, ready for delivery, with minimal adjustments before assembly.

Customised supply available for immediate and easy installation.







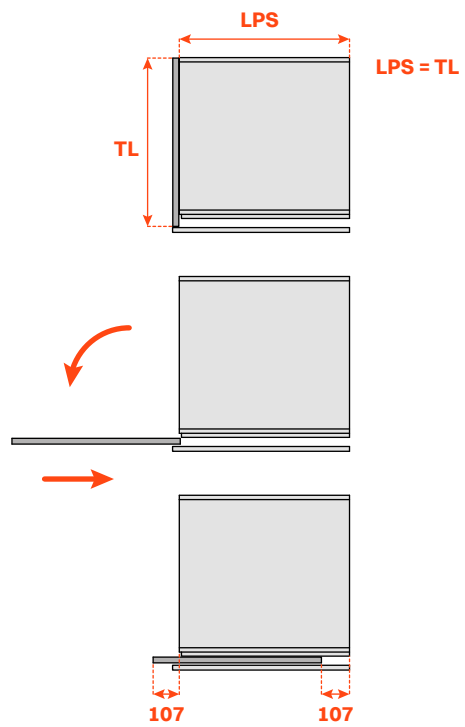
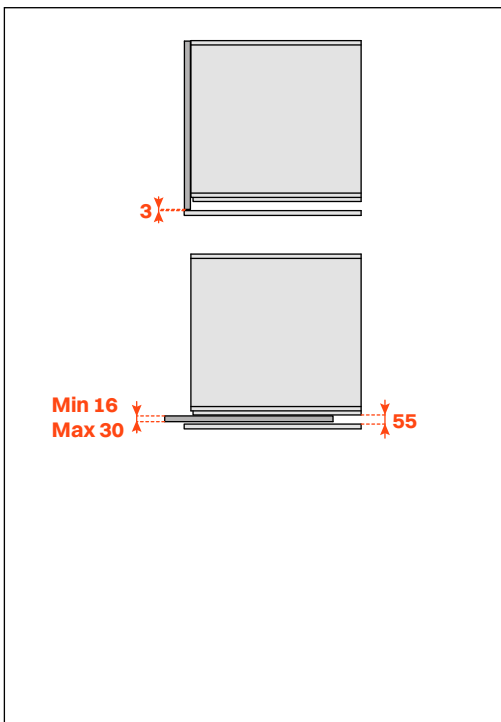
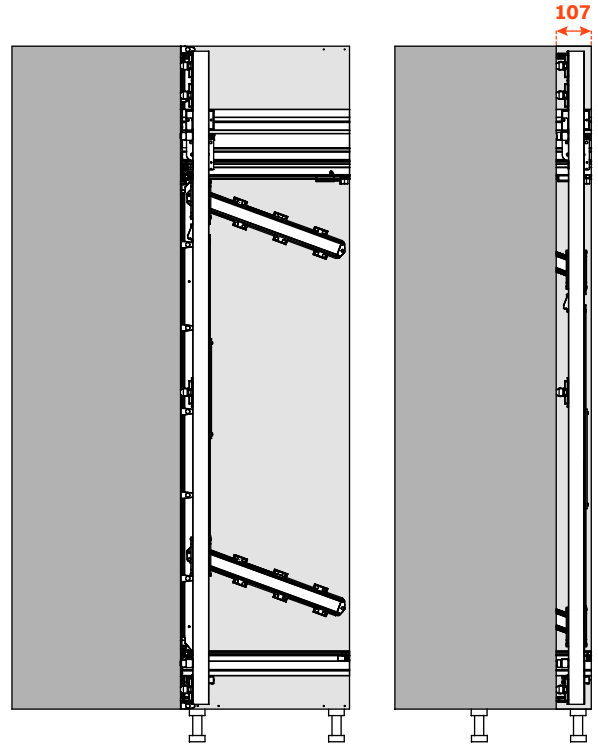
Technical Information

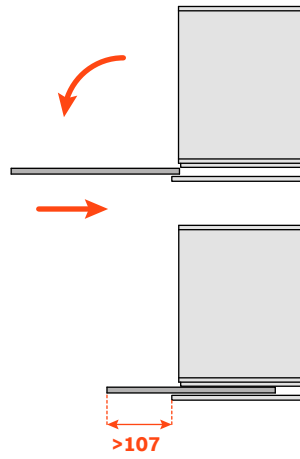
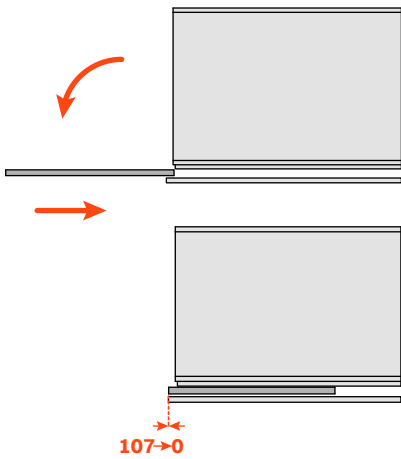
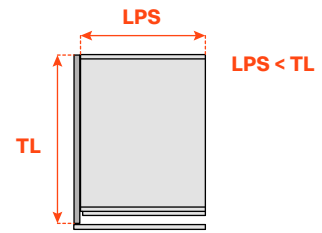
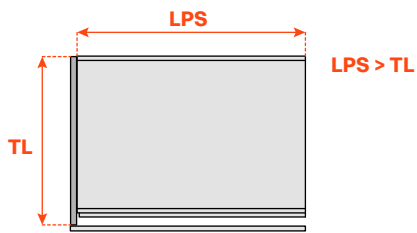
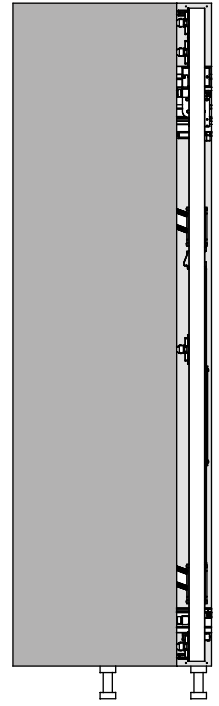
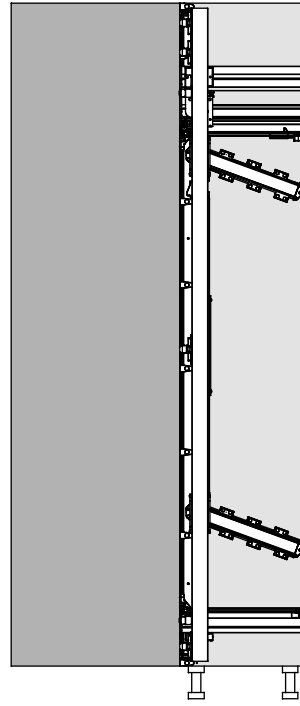
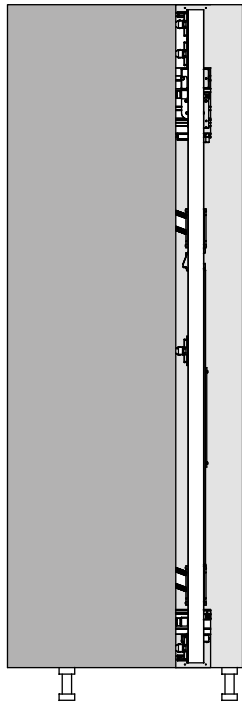
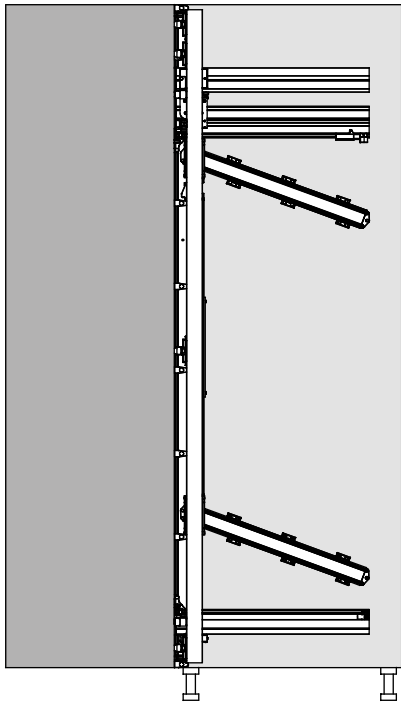
Exedra Gravity

Door non-retraction

LPS Total external depth of the cabinet
TL Door width

The door protrusion is determined by the ratio between the door height and width and by the cabinet depth. It is therefore recommended to always verify the correct protrusion using the online configurator.

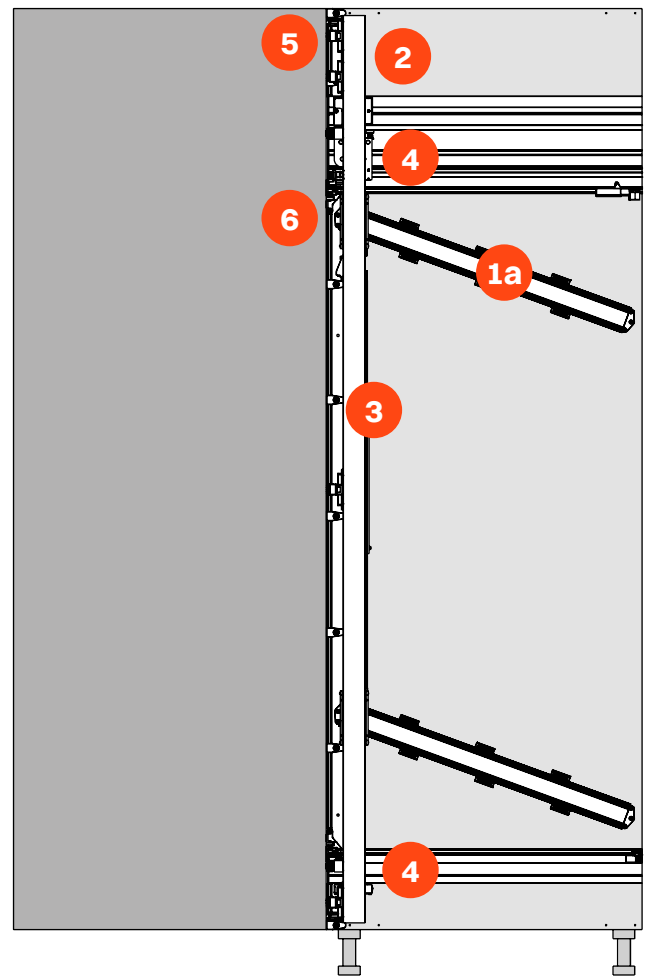
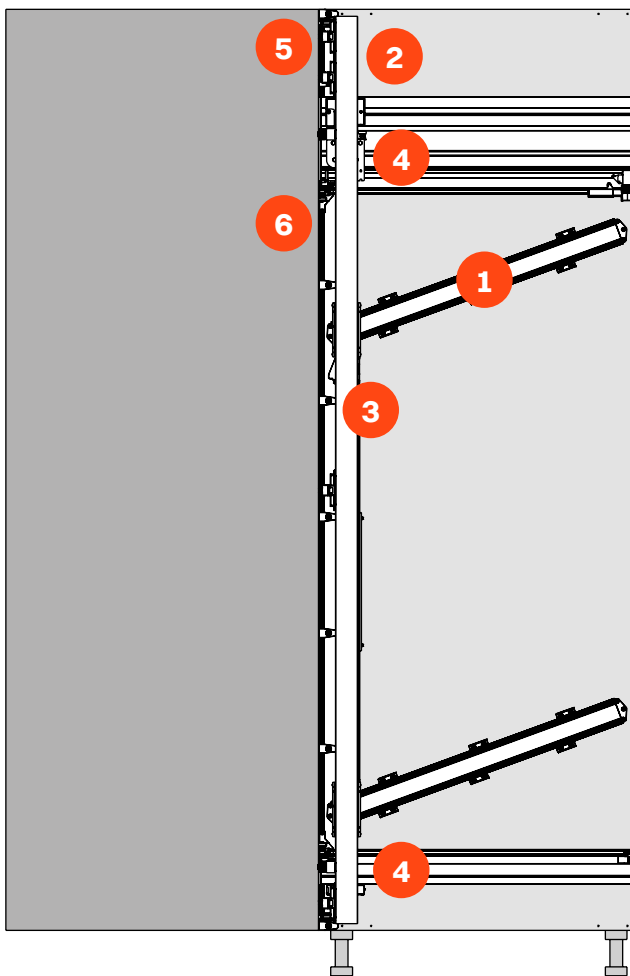




Exedra Gravity

- 1 **Exedra Gravity Out:** automatic door extraction movement with counterweight.
- 1a **Exedra Gravity In:** automatic door insertion movement with counterweight.
- 2 Magnetic buffer for soft insertion.
- 3 Load-bearing door profile.

- 4 Sliding carriage profiles.
- 5 Quick coupling hinges.
- 6 All door adjustments are accessible from the front of the cabinet.





Kit versions to be assembled

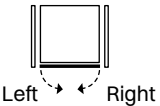
Exedra Gravity In

Kit versions to be assembled

This solution offers a great deal of flexibility to the customer. The customer cuts the profile sections to their desired length and fixes together its individual components. For cutting and assembly operations, please refer to the online configurator. The locating clips and positioning stops ensure a fast and secure assembly.

Exedra Gravity can be supplied with hinges and **Smove**, for a decelerated closing, or **Push** to open hinges for handle-less doors. Both versions are available in **nickel-plated** or **titanium** finishes.

Mechanism kit - In - Automatic door insertion

Part number		Door height TH (mm)
VE53ASAR1675NN	Right	1100 - 1600
VE53ASAL1675NN	Left	
VE53ASAR3090NN	Right	1601 - 3000
VE53ASAL3090NN	Left	

Push Hinge Kit

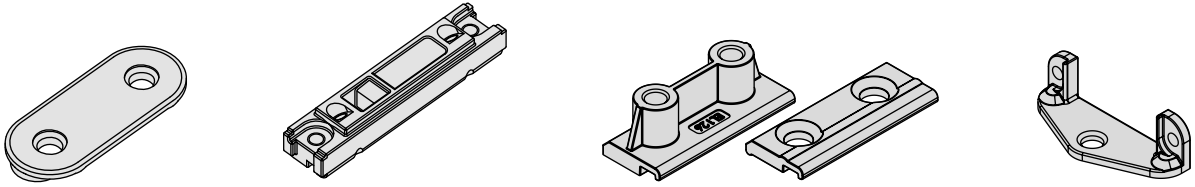
	Number of hinges per bag	Nickel-plated	Titanium	Kit composition
	2	VE55KITCP040AB	VE55KITCP040TB	1 Release device + 1 Adjustable magnetic retaining catch
	3	VE55KITCP030AB	VE55KITCP030TB	
	4	VE55KITCP020AB	VE55KITCP020TB	
	5	VE55KITCP010AB	VE55KITCP010TB	
	6	VE55KITCP050AB	VE55KITCP050TB	

Smove Hinge Kit

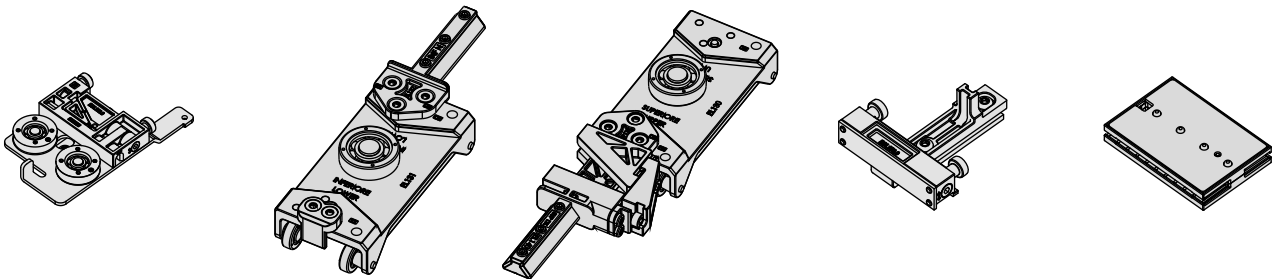
	Number of hinges per bag	Nickel-plated	Titanium	Kit composition
	2	VE55KITCS040AB	VE55KITCS040TB	2 Smove
	3	VE55KITCS030AB	VE55KITCS030TB	
	4	VE55KITCS020AB	VE55KITCS020TB	
	5	VE55KITCS010AB	VE55KITCS010TB	
	6	VE55KITCS050AB	VE55KITCS050TB	

Package Contents

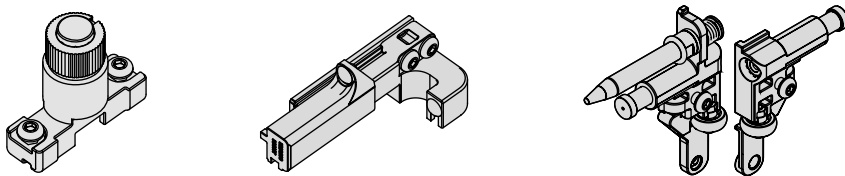
Fixing elements



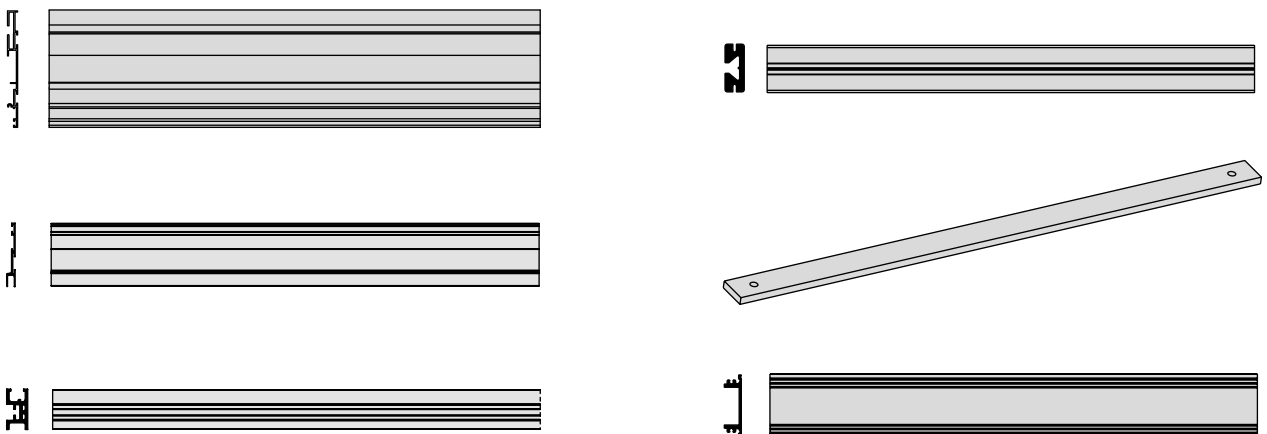
Sliding elements



End elements



Profiles and counterweights



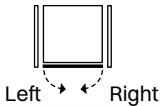
Exedra Gravity Out

Kit version to be assembled

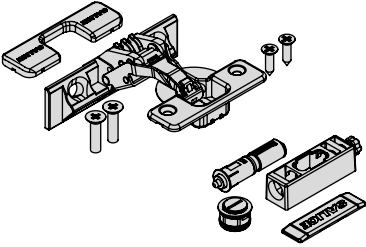
This solution offers a great deal of flexibility to the customer. The customer cuts the profile sections to their desired length and fixes together its individual components. For cutting and assembly operations, please refer to the online configurator. The locating clips and positioning stops ensure a fast and secure assembly.

Exedra Gravity can be supplied with hinges and **Smove**, for a decelerated closing, or **Push** to open hinges for handle-less doors. Both versions are available in **nickel-plated** or **titanium** finishes.

Kit meccanismo - Out - Automatic door extraction

Part number		Door height TH (mm)
VE53ASBR1675NN	Right	1100 - 1600
VE53ASBL1675NN	Left	
VE53ASBR3090NN	Right	1601 - 3000
VE53ASBL3090NN	Left	

Push Hinge Kit

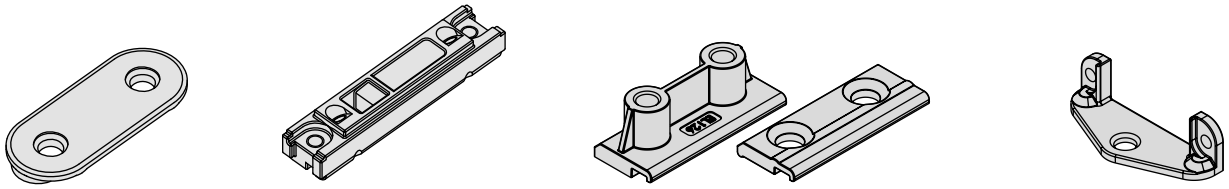
	Number of hinges per bag	Nickel-plated	Titanium	Kit composition
	2	VE55KITCP040AB	VE55KITCP040TB	1 Release device + 1 Adjustable magnetic retaining catch
	3	VE55KITCP030AB	VE55KITCP030TB	
	4	VE55KITCP020AB	VE55KITCP020TB	
	5	VE55KITCP010AB	VE55KITCP010TB	
	6	VE55KITCP050AB	VE55KITCP050TB	

Smove Hinge Kit

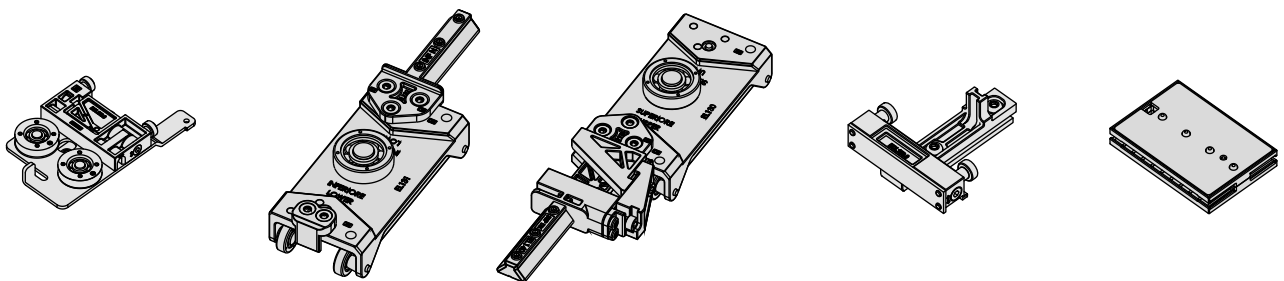
	Number of hinges per bag	Nickel-plated	Titanium	Kit composition
	2	VE55KITCS040AB	VE55KITCS040TB	2 Smove
	3	VE55KITCS030AB	VE55KITCS030TB	
	4	VE55KITCS020AB	VE55KITCS020TB	
	5	VE55KITCS010AB	VE55KITCS010TB	
	6	VE55KITCS050AB	VE55KITCS050TB	

Package Contents

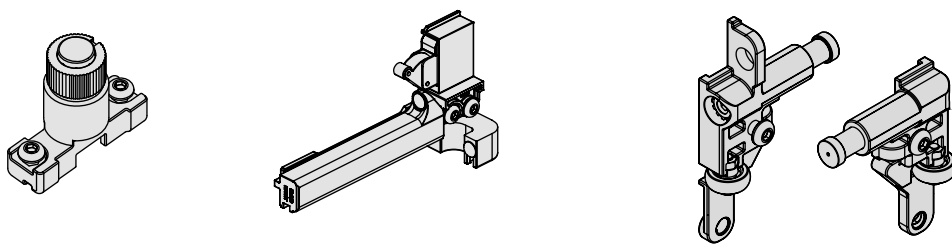
Fixing elements



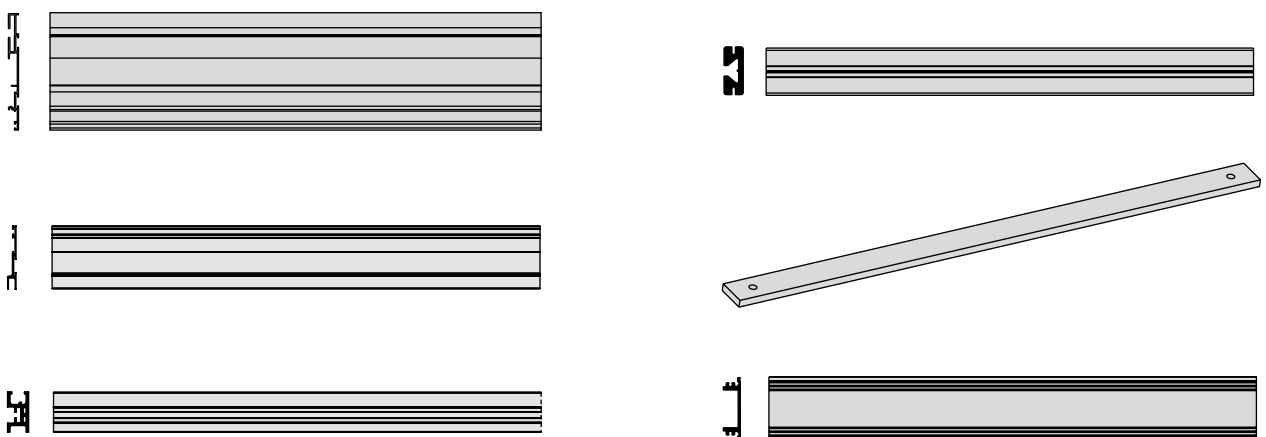
Sliding elements



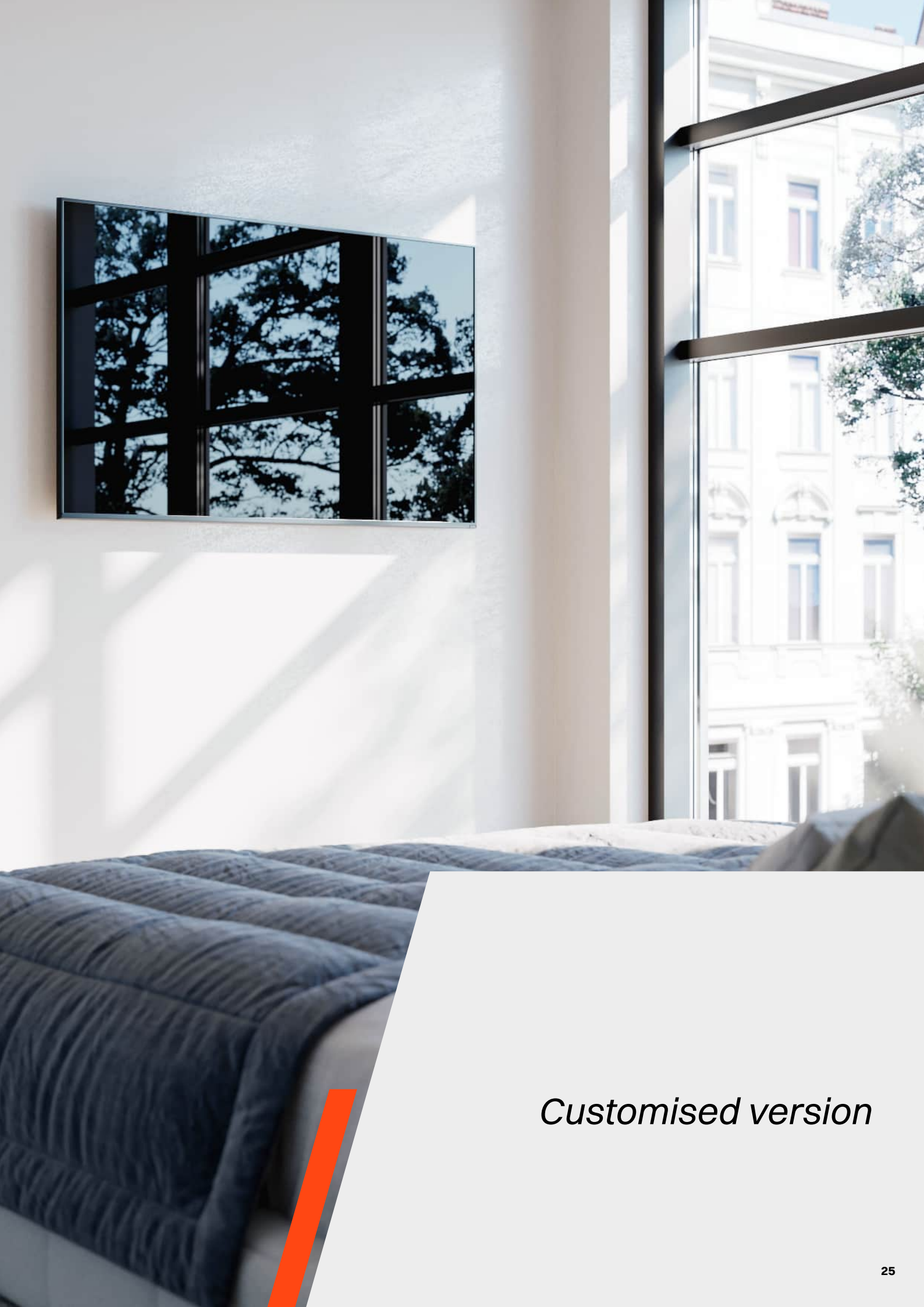
End elements



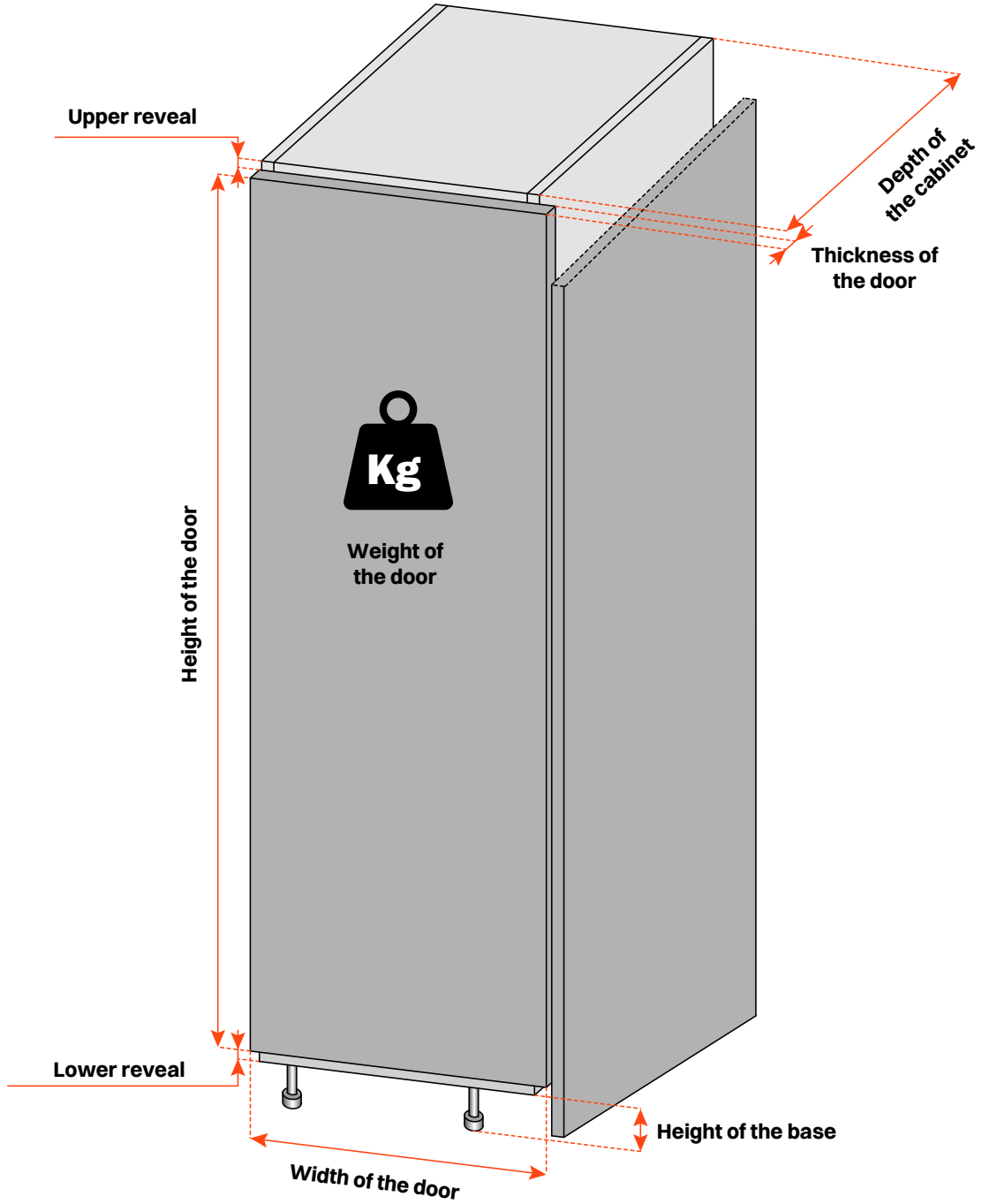
Profiles and counterweights







Customised version



Exedra Gravity

Customised

Fully assembled solution according to customer requirements.

The Exedra Gravity system is produced according to the dimensional specifications provided by the customer.

The customer only has to assemble the system on the cabinet with the provided drilling patterns.

The locating clips and positioning stops ensure a fast and secure assembly and removal from the cabinet.

How to order a customised Exedra Gravity system.

To order a customised Exedra Gravity system, go to the Salice web configurator: www.configurator.salice.com.

To purchase your configured system, please contact your local Salice dealer.

Exedra Gravity In

Customised version

Fully assembled solution according to customer requirements.

The Exedra Gravity system is produced according to the dimensional specifications provided by the customer. The customer only has to assemble the system on the cabinet with the provided drilling patterns. The locating clips and positioning stops ensure a fast and secure assembly and removal from the cabinet.

Exedra Gravity can be supplied with hinges and **Smove**, for a decelerated closing, or **Push** to open hinges for handle-less doors. Both versions are available in **nickel-plated** or **titanium** finishes.



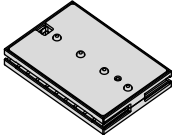
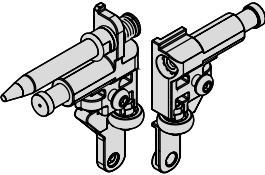

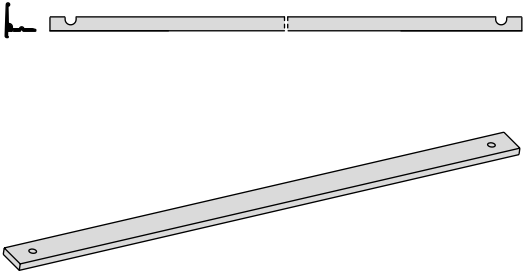
Push Hinge Kit

	Number of hinges per bag	Nickel-plated	Titanium	Kit composition
	2	VE55KITCP040AB	VE55KITCP040TB	1 Release device + 1 Adjustable magnetic retaining catch
	3	VE55KITCP030AB	VE55KITCP030TB	
	4	VE55KITCP020AB	VE55KITCP020TB	
	5	VE55KITCP010AB	VE55KITCP010TB	
	6	VE55KITCP050AB	VE55KITCP050TB	

Smove Hinge Kit

	Number of hinges per bag	Nickel-plated	Titanium	Kit composition
	2	VE55KITCS040AB	VE55KITCS040TB	2 Smove
	3	VE55KITCS030AB	VE55KITCS030TB	
	4	VE55KITCS020AB	VE55KITCS020TB	
	5	VE55KITCS010AB	VE55KITCS010TB	
	6	VE55KITCS050AB	VE55KITCS050TB	

Package contents for the customised mechanism

Fixing elements	Pre-assembled load-bearing profile
	
<p>Sliding elements</p> 	
<p>End elements</p> 	
<p>Profiles and counterweights</p>	
	

Exedra Gravity Out

Customised version

Fully assembled solution according to customer requirements.

The Exedra Gravity system is produced according to the dimensional specifications provided by the customer. The customer only has to assemble the system on the cabinet with the provided drilling patterns. The locating clips and positioning stops ensure a fast and secure assembly and removal from the cabinet.

Exedra Gravity can be supplied with hinges and **Smove**, for a decelerated closing, or **Push** to open hinges for handle-less doors. Both versions are available in **nickel-plated** or **titanium** finishes.


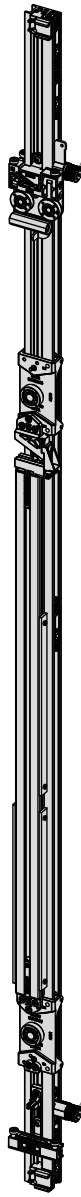
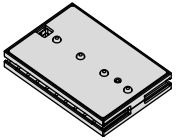
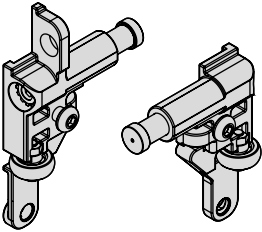
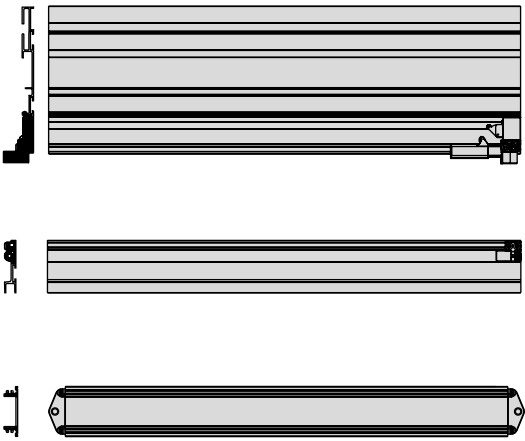
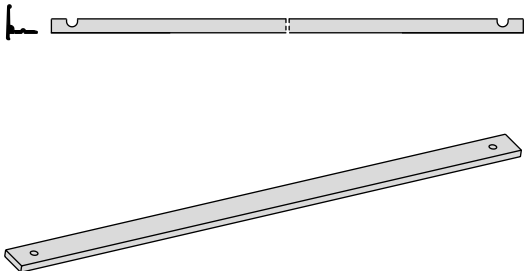
Push Hinge Kit

	Number of hinges per bag	Nickel-plated	Titanium	Kit composition
	2	VE55KITCP040AB	VE55KITCP040TB	1 Release device + 1 Adjustable magnetic retaining catch
	3	VE55KITCP030AB	VE55KITCP030TB	
	4	VE55KITCP020AB	VE55KITCP020TB	
	5	VE55KITCP010AB	VE55KITCP010TB	
	6	VE55KITCP050AB	VE55KITCP050TB	

Smove Hinge Kit

	Number of hinges per bag	Nickel-plated	Titanium	Kit composition
	2	VE55KITCS040AB	VE55KITCS040TB	2 Smove
	3	VE55KITCS030AB	VE55KITCS030TB	
	4	VE55KITCS020AB	VE55KITCS020TB	
	5	VE55KITCS010AB	VE55KITCS010TB	
	6	VE55KITCS050AB	VE55KITCS050TB	

Package contents for the customised mechanism

Profiles and counterweights	Pre-assembled load-bearing profile
	
<p>Sliding elements</p>	
	
<p>End elements</p>	
	
Profiles and counterweights	
	



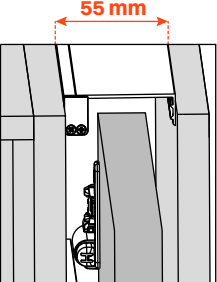
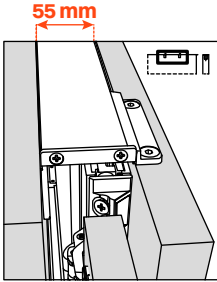


Accessories

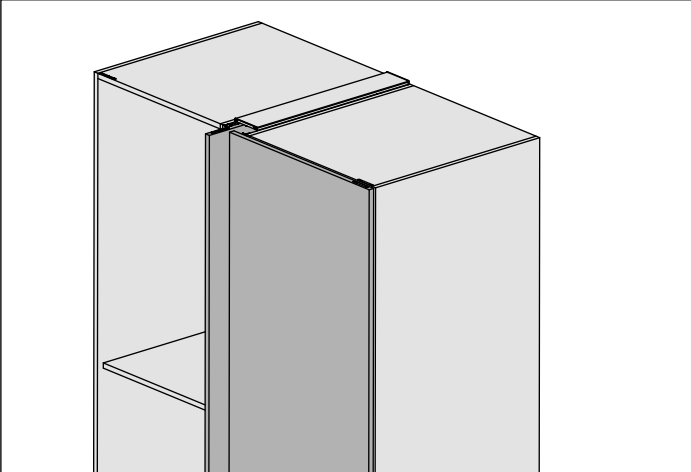
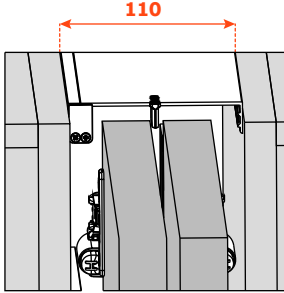
Exedra Gravity

Accessories

Side panel connector kits - Single door

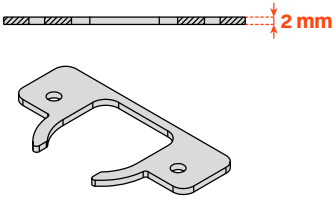
Single door Thickness of door 12 mm - 26 mm	Part number	LPS (mm)	Single door Version to be screw-fixed Thickness of door 12 mm - 30 mm	Part number	LPS (mm)
	VE53APK000137A	300 - 420		VE55KIT0001	370 - 650
	VE53APK000237A	420 - 540			VE55KIT0002
	VE53APK000337A	540 - 660			
	VE53APK000437A	660 - 780			
	VE53APK000537A	780 - 900			

Connector kits for double-pocket applications for 2 doors

	2 doors Thickness of door 12 mm - 30 mm	Part number	LPS (mm)
		VE53APM000137A	300 - 420
VE53APM000237A		420 - 540	
VE53APM000337A		540 - 660	
VE53APM000437A		660 - 780	
VE53APM000537A		780 - 900	

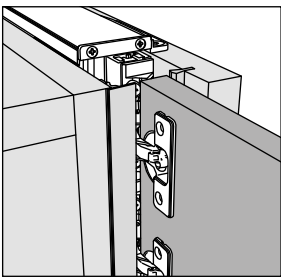



Spacer for Exedra Gravity hinges

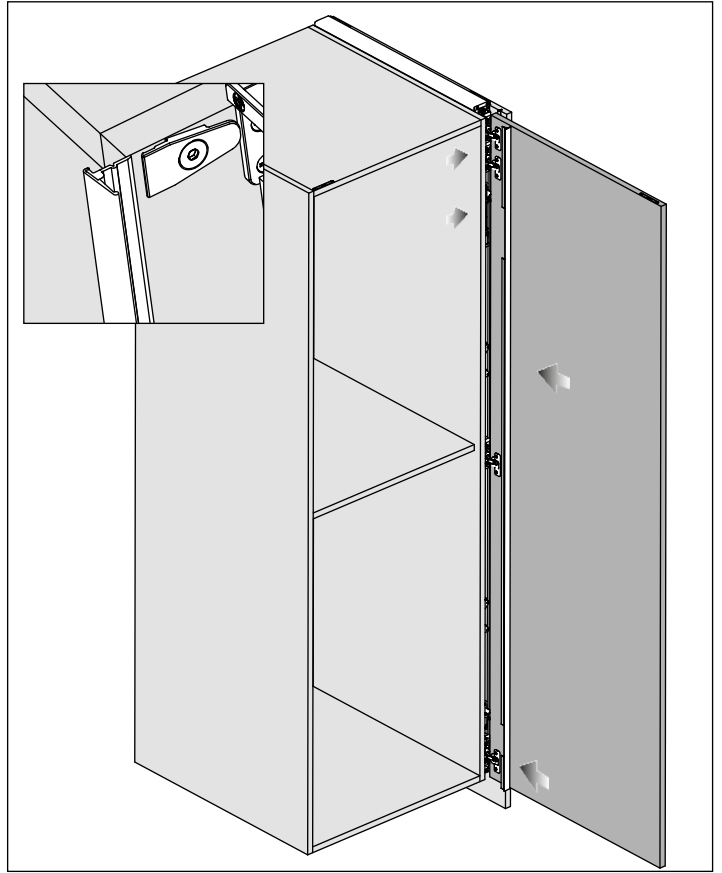
Overlapping spacer to reduce the min. thickness from 14 mm to 12 mm (with one spacer) or from 14 mm to 10 mm (with two spacers). We suggest checking the tightness of the hinges fixing screws.

	Part number	Colours	Box
	VE54KITC001AA	Nichel-plated	6 pcs.
	VE54KITC001BA	Titanium	6 pcs.

Cover profile

Cut the cover to length and slide it onto the clips.

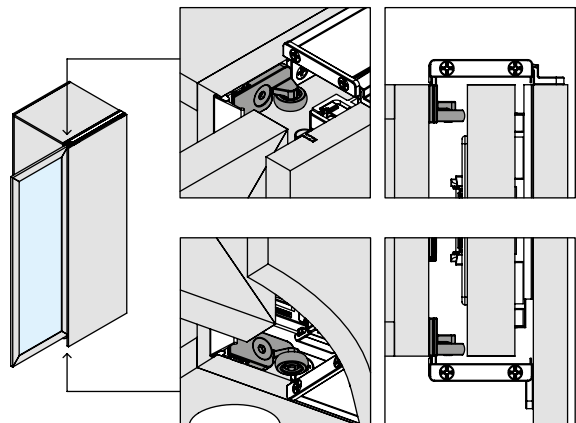
	Part number	L (m)	Colours
	VE55KIT0204	3.0	
	VE55KIT0205	3.0	
	VE55KIT0206	3.0	



Supplementary roller guide for aluminium-framed glass doors and framed wooden doors.

The fixing of this component requires additional working. Please do not hesitate to consult our technical support department for assistance.

Part number	pcs.
VE55KIT0040	1 (Box with 10 pcs.)



HEADQUARTERS AND PRODUCTION UNITS

ARTURO SALICE S.p.A.

HEAD OFFICE

VIA PROVINCIALE NOVEDRATESE, 10
22060 NOVEDRATE (COMO) ITALIA
TEL. 031 790424 - FAX 031 791508
info.salice@salice.com
www.salice.com

ARTURO SALICE S.p.A.

VIA ARISTIDE MERLONI, 11
61036 COLLI AL METAURO (PU) ITALIA
TEL. 0721 899800
FAX 0721 897980
info.salice@salice.com
www.salice.com

BORTOLUZZI SISTEMI S.p.A.

VIA CADUTI 14 SETTEMBRE 1944, 45
32100 BELLUNO (BL) ITALIA
TEL. 0437 930866
FAX 0437 931442
info@bortoluzzi.com
www.salice.com

NUOVA ATIM S.r.l.

VIA IV NOVEMBRE, 52
20019 SETTIMO MILANESE (MI) ITALIA
TEL. 02 33503203
FAX 02 33516514
info@atimspa.com
www.atimspa.com

VILLES S.r.l.

VIA CASTOLDI, 6/8
20090 TREZZANO SUL NAVIGLIO (MI) ITALIA
TEL. 02 4452083
FAX 02 4452838
info@villes2000.com
www.villes2000.com

BRANCHES

DEUTSCHE SALICE GMBH

RUDOLF DIESEL STR. 10
74382 NECKARWESTHEIM
TEL. 07133 9807-0
FAX. 07133 9807-16
info.salice@deutschesalice.de
www.salice.com

DEUTSCHE SALICE GMBH

VERKAUFSBÜRO NORD
RINGSTRASSE 36/A30 CENTER
32584 LÖHNE
TEL. 05731 15608-0
FAX. 05731 15608-10
vknord@deutschesalice.de
www.salice.com

SALICE UK LTD.

KINGFISHER WAY
HINCHINGBROOKE BUSINESS PARK
HUNTINGDON CAMBS PE 29 6FN
TEL. 01480 413831
FAX. 01480 451489
info.salice@saliceuk.co.uk
www.salice.com

SALICE FRANCE S.A.R.L.

285 RUE DE GOA ZAC LES 3 MOULINS
06600 ANTIBES
TEL. 0493 330069
FAX. 0493 330141
info.salice@salicefrance.com
www.salice.com

SALICE ESPAÑA, S.L.U.

C/ AIGUAFREDA 4, P.I. AMETLLA PARK
08480 L'AMETLLA DEL VALLÈS (BARCELONA)
TEL. 0034 938 46 88 61
info.salice@saliceespana.es
www.salice.com

SALICE PORTUGAL UNIP. LDA

SHOWROOM:
TV SÁ E MELO 161 FA
4470-116 MAIA - PORTO
TEL: 00351 224 154 221
Info@saliceportugal.pt
www.salice.com

ARMAZÉM:
VIA ROTA DOS MÓVEIS I 399
4585-325 GANDRA

SALICE CHINA (SHANGHAI) CO. LTD.

RM 602, 6/F, TOWER 1,
3688 YINGGANG DONG ROAD
QINGPU DISTRICT
201703 SHANGHAI, CHINA
TEL. 021 3988-9880
info.salice@salicechina.com
www.salicechina.com

SALICE INDIA PVT. LTD.

1001 & 1002, 10TH FLOOR,
CENTRUM, PLOT NO. C-3,
OPP. WAGLE PRABHAG SAMITI OFFICE,
MIDC AREA, WAGLE INDUSTRIAL ESTATE,
THANE - 400604, MAHARASHTRA
TEL. 022 20812050
info@saliceindia.com
www.salice.com

SALICE CANADA INC.

3500 RIDGEWAY DRIVE,
UNIT#1
MISSISSAUGA, ONTARIO, L5L 0B4
TEL. 905 820 8787
FAX. 905 820 7226
info.salice@salicecanada.com
www.salicecanada.com

SALICE AMERICA INC.

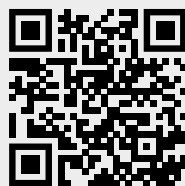
2123 CROWN CENTRE DRIVE
CHARLOTTE NC. 28227
TEL. 704 841 7810
FAX. 704 841 7808
info.salice@saliceamerica.com
www.saliceamerica.com

ARTURO SALICE S.p.A.

HEAD OFFICE

VIA PROVINCIALE NOVEDRATESE, 10
22060 NOVEDRATE (COMO) ITALIA
TEL. 031 790424 - FAX 031 791508

info.salice@salice.com
www.salice.com



Digital contents



DOCASS027ENG Ed.04 - 03/2026

* 5 2 5 5 C T 3 0 0 2 . 0 *